

AS1746

0.5/0.6Ω, Low-Voltage, Dual SPDT Analog Switch

1 General Description

The AS1746 is a low on-resistance (R_{ON}), low-voltage, dual-single-pole/double-throw (SPDT) analog switch designed to operate from a single +1.8 to +5.5V supply.

The device features a 0.5Ω (max) R_{ON} for normally closed (NC) switches and a 0.6Ω (max) R_{ON} for normally open (NO) switches using a +2.7V supply.

The AS1746 features break-before-make switching (2ns) with $t_{ON} = 50ns$ and $t_{OFF} = 30ns$ (using a +2.7V supply).

The digital logic inputs are 1.8V logic-compatible with +2.7 to +3.3V supplies.

The AS1746 is available in a TDFN-10 (3x3mm) package, a MSOP-10 and a WL-CSP-10 package.

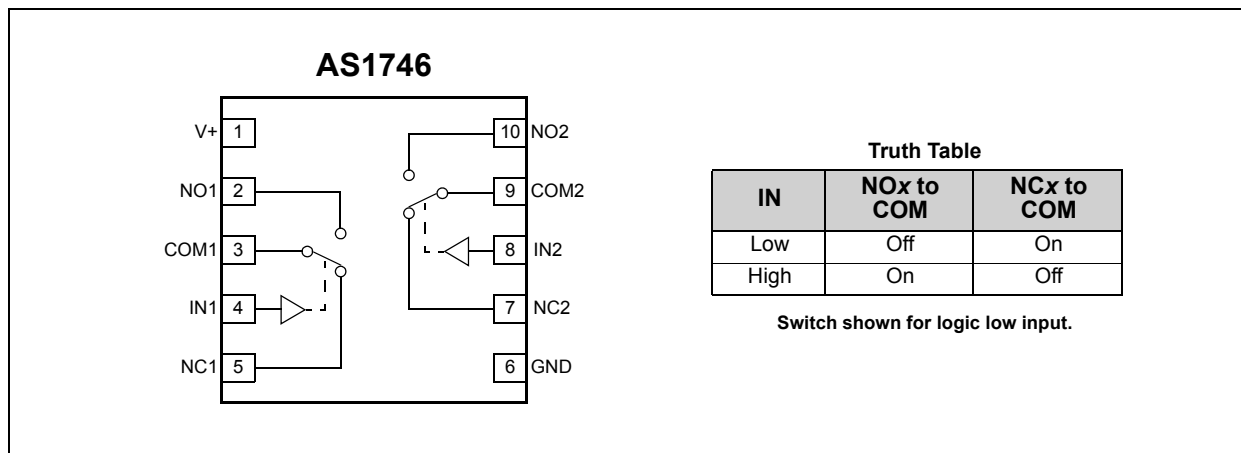
2 Key Features

- Single Supply Operation: +1.8 to +5.5V
- Normally Closed Switch R_{ON} : 0.45Ω (+2.7V Supply)
- Normally Open Switch R_{ON} : 0.55Ω (+2.7V Supply)
- R_{ON} Matching Between Channels: 0.06Ω
- R_{ON} Flatness Over Signal Range: 0.15Ω
- Supply Current: 50nA
- Rail-to-Rail Signal Handling
- 1.8V Logic Compatibility
- Low Crosstalk: -60dB (100kHz)
- High Off-Isolation: -64dB (100kHz)
- Total Harmonic Distortion: 0.025%
- Ultra-Low Leakage Currents: 1nA (@ $T_{AMB} = +25^{\circ}C$)
- Package Types:
 - TDFN-10 (3x3mm)
 - WL-CSP-10
 - MSOP-10

3 Applications

The device is ideal for audio headsets, MP3 players, power routing switches, relay replacements, audio and video signal routing, communications circuits, PCMCIA cards, mobile phones, MODEMs, and any battery-operated equipment.

Figure 1. Block Diagram – TDFN-10 (3x3mm)



Copyrights

Copyright © 1997-2006, austriamicrosystems AG, Schloss Premstaetten, 8141 Unterpremstaetten, Austria-Europe. Trademarks Registered ®. All rights reserved. The material herein may not be reproduced, adapted, merged, translated, stored, or used without the prior written consent of the copyright owner.

All products and companies mentioned are trademarks or registered trademarks of their respective companies.

Disclaimer

Devices sold by austriamicrosystems AG are covered by the warranty and patent indemnification provisions appearing in its Term of Sale. austriamicrosystems AG makes no warranty, express, statutory, implied, or by description regarding the information set forth herein or regarding the freedom of the described devices from patent infringement. austriamicrosystems AG reserves the right to change specifications and prices at any time and without notice. Therefore, prior to designing this product into a system, it is necessary to check with austriamicrosystems AG for current information. This product is intended for use in normal commercial applications. Applications requiring extended temperature range, unusual environmental requirements, or high reliability applications, such as military, medical life-support or life-sustaining equipment are specifically not recommended without additional processing by austriamicrosystems AG for each application. For shipments of less than 100 parts the manufacturing flow might show deviations from the standard production flow, such as test flow or test location.

The information furnished here by austriamicrosystems AG is believed to be correct and accurate. However, austriamicrosystems AG shall not be liable to recipient or any third party for any damages, including but not limited to personal injury, property damage, loss of profits, loss of use, interruption of business or indirect, special, incidental or consequential damages, of any kind, in connection with or arising out of the furnishing, performance or use of the technical data herein. No obligation or liability to recipient or any third party shall arise or flow out of austriamicrosystems AG rendering of technical or other services.

Contact Information

Headquarters

austriamicrosystems AG
A-8141 Schloss Premstaetten, Austria

Tel: +43 (0) 3136 500 0
Fax: +43 (0) 3136 525 01

For Sales Offices, Distributors and Representatives, please visit:

<http://www.austriamicrosystems.com>

austriamicrosystems – a leap ahead