

2.00mm (0.079") PITCH CONNECTOR

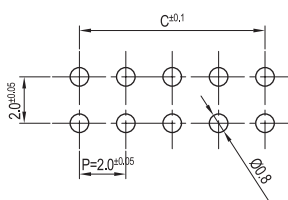
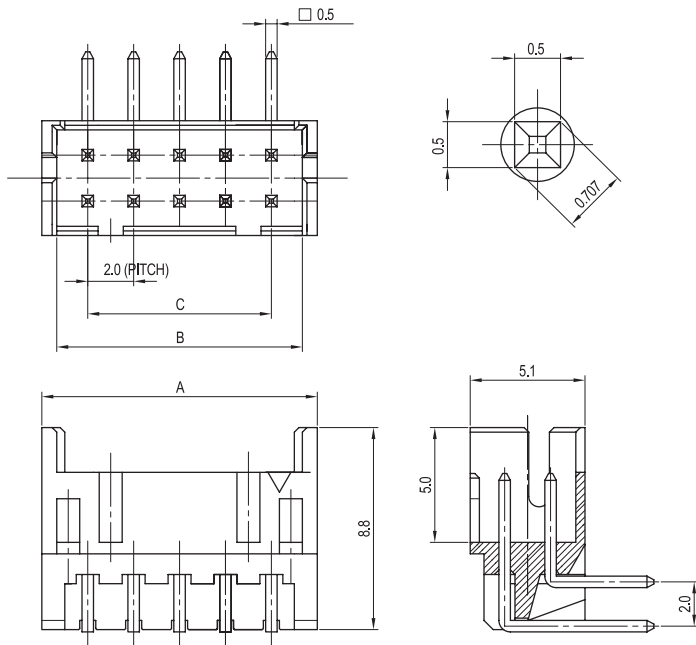
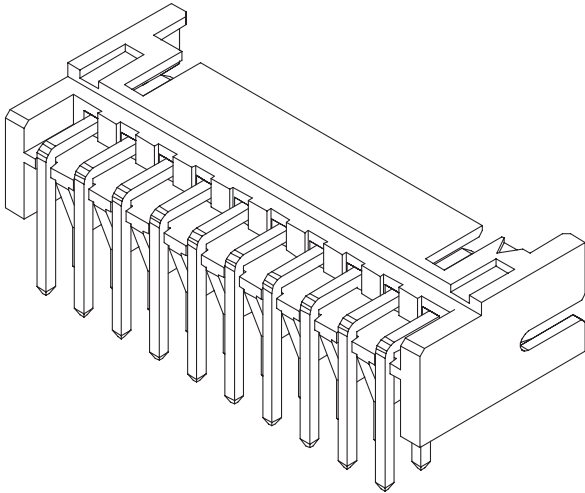


Wire-to-Board
Wafer

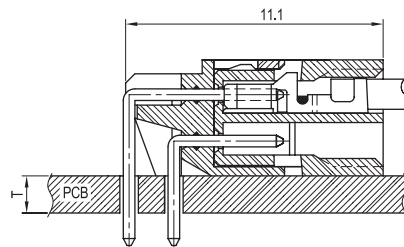
YDAW200 Series

DIP

Right Angle



PCB LAYOUT



PCB ASS'Y

Material

| I/NO | DESCRIPTION | TITLE | MATERIAL |
|------|-------------|---------|--------------------|
| 1 | WAFER | YDAW200 | PA66, UL 94V Grade |
| 2 | PIN | | Brass & Tin-Plated |

Available Pin

| PARTS NO. | DIM. A | DIM. B | DIM. C |
|------------|--------|--------|--------|
| YDAW200-04 | 6.0 | 4.7 | 2.0 |
| YDAW200-06 | 8.0 | 6.7 | 4.0 |
| YDAW200-08 | 10.0 | 8.7 | 6.0 |
| YDAW200-10 | 12.0 | 10.7 | 8.0 |
| YDAW200-12 | 14.0 | 12.7 | 10.0 |
| YDAW200-14 | 16.0 | 14.7 | 12.0 |
| YDAW200-16 | 18.0 | 16.7 | 14.0 |
| YDAW200-18 | 20.0 | 18.7 | 16.0 |
| YDAW200-20 | 22.0 | 20.7 | 18.0 |
| YDAW200-22 | 24.0 | 22.7 | 20.0 |
| YDAW200-24 | 26.0 | 24.7 | 22.0 |
| YDAW200-26 | 28.0 | 26.7 | 24.0 |
| YDAW200-28 | 30.0 | 28.7 | 26.0 |
| YDAW200-30 | 32.0 | 30.7 | 28.0 |
| YDAW200-32 | 34.0 | 32.7 | 30.0 |

Specification

| ITEM | SPEC |
|------------------------|--------------|
| Voltage Rating | AC/DC 250V |
| Current Rating | AC/DC 3A |
| Operating Temperature | -25°C~+85°C |
| Contact Resistance | 30MΩ MAX |
| Withstanding Voltage | AC1000V/1min |
| Insulation Resistance | 1000MΩ MIN |
| Applicable Wire | - |
| Applicable P.C.B | 1.2~1.6mm |
| Applicable FPC/FFC | - |
| Solder Height | - |
| Crimp Tensile Strength | - |
| UL FILE NO | E108706 |