

Features

- Low Cost and RoHS Compliant
- Industry Standard 1 Inch Drop-in package
- Designed for Wireless Telecom Systems
- 50 Ohms Characteristic Impedance

Description

The PI1950DG-41H is a small, low cost, High Power Drop-in Isolator designed for applications in high performance linear power amplifiers for wireless base stations. These Isolators feature a robust construction for high reliability with excellent IMD performance. These units are built Lead-Free and RoHS compliant. CCW rotation and special tab offsets available on request. S-Parameters are also available on request.

HIGH POWER DROP-IN ISOLATOR



Specifications

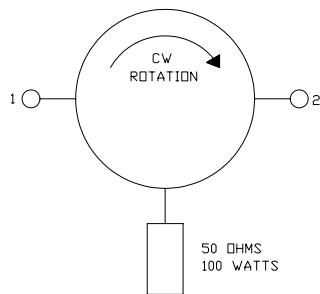
| Parameter | Minimum | Typical | Maximum |
|-----------------------|---------|---------|---------|
| Frequency Range (MHz) | 1920 | | 1980 |
| Insertion Loss (dB) | | .18 | .25 |
| Isolation (dB) | 23 | >25 | |
| Return Loss (dB) | 23 | >25 | |

Note: Typical values represent Mid-band performance @ 25°C.

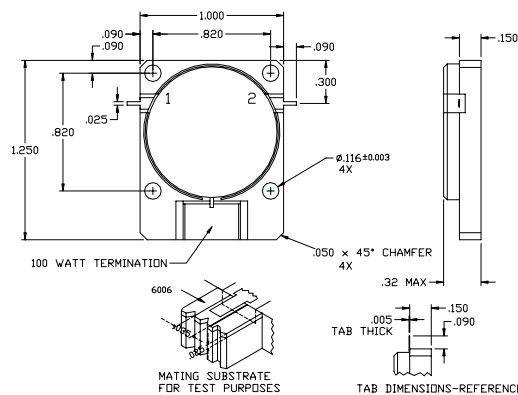
Absolute Maximum Ratings

| Parameter | Maximum |
|-----------------------|---------------|
| Forward Power | 100 Watts |
| Reverse Power | 100 Watts |
| Operating Temperature | -40 to +85 °C |
| Storage Temperature | -40 to +85 °C |

Schematic



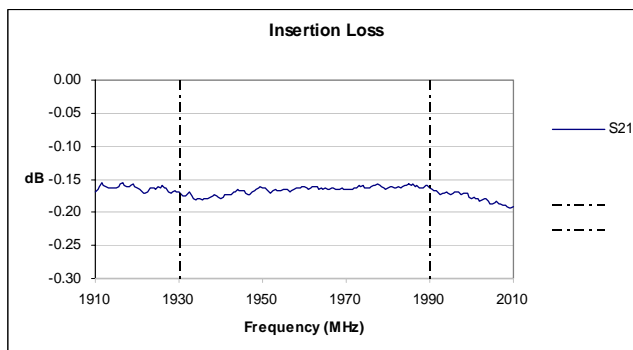
Package



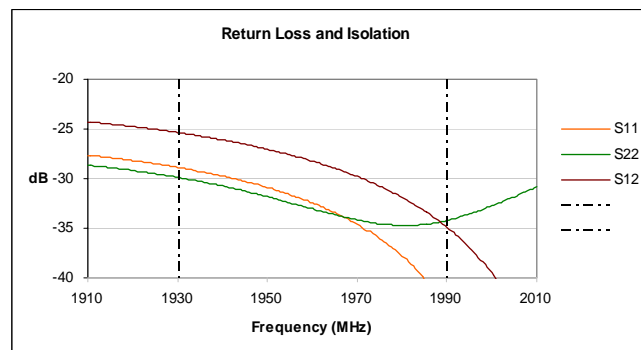
Pin Functions

| Function | Pin |
|----------|-----|
| INPUT | 1 |
| OUTPUT | 2 |

Typical Test Data – Insertion Loss



Typical Test Data – Return Loss and Isolation



Specifications and information on this data sheet are subject to change without notice..