



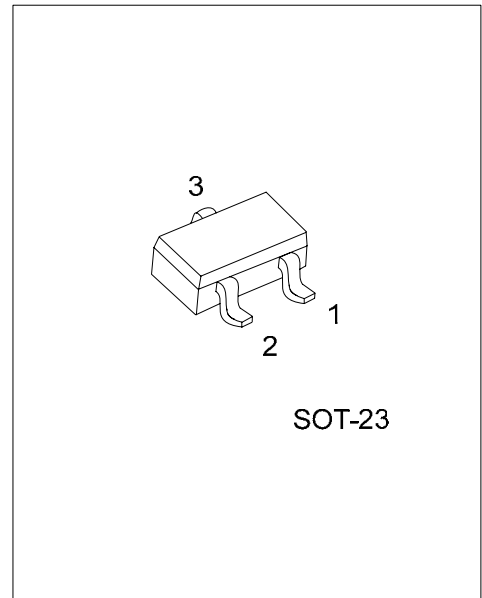
MMBT4403

PNP SILICON TRANSISTOR

PNP GENERAL PURPOSE AMPLIFIER

DESCRIPTION

The UTC **MMBT4403** is designed for use as a general purpose amplifier and switch requiring collector currents up to 500mA.



SOT-23

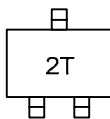
*Pb-free plating product number: MMBT4403L

ORDERING INFORMATION

| Order Number | | Package | Pin Assignment | | | Packing |
|----------------|-------------------|---------|----------------|---|---|-----------|
| Normal | Lead Free Plating | | 1 | 2 | 3 | |
| MMBT4403-AE3-R | MMBT4403-AE3-R | SOT-23 | E | B | C | Tape Reel |

| | |
|--|--|
| <p>MMBT4403L-AE3-R</p> <p>(1) Packing Type (2) Package Type (3) Lead Plating</p> | <p>(1) R: Tape Reel (2) AE3: SOT-23 (3) L: Lead Free Plating, Blank: Pb/Sn</p> |
|--|--|

MARKING



MMBT4403

PNP SILICON TRANSISTOR

■ ABSOLUTE MAXIMUM RATING (Ta=25 , unless otherwise specified)

| PARAMETER | SYMBOL | RATINGS | UNIT |
|---|-----------|------------|------|
| Collector-Base Voltage | V_{CBO} | 40 | V |
| Collector-Emitter Voltage | V_{CEO} | 40 | V |
| Emitter-Base Voltage | V_{EBO} | 5 | V |
| Collector Current-Continuous | I_C | 600 | mA |
| Total Device Dissipation Derate above 25 | P_C | 350 | mW |
| | | 2.8 | mW/ |
| Junction Temperature | T_J | 150 | |
| Storage Temperature | T_{STG} | -55 ~ +150 | |

- Note 1. Absolute maximum ratings are those values beyond which the device could be permanently damaged. Absolute maximum ratings are stress ratings only and functional device operation is not implied.
2. These are steady state limits. The factory should be consulted on applications involving pulsed or low duty cycle operations.

■ THERMAL CHARACTERISTICS (Ta=25 , unless otherwise specified)

| CHARACTERISTIC | SYMBOL | RATINGS | UNIT |
|---|---------------|---------|------|
| Thermal Resistance, Junction to Ambient | θ_{JA} | 357 | /W |

■ ELECTRICAL CHARACTERISTICS (Ta=25 , unless otherwise specified)

| PARAMETER | SYMBOL | TEST CONDITIONS | MIN | TYP | MAX | UNIT |
|--|----------------|-----------------------------------|----------------------|-----|------|------------------|
| OFF CHARACTERISTICS | | | | | | |
| Collector-Emitter Breakdown Voltage (Note) | BV_{CEO} | $I_C=1mA, I_B=0$ | 40 | | | V |
| Collector-Base Breakdown Voltage | BV_{CBO} | $I_C=0.1mA, I_E=0$ | 40 | | | V |
| Emitter-Base Breakdown Voltage | BV_{EBO} | $I_E=0.1mA, I_C=0$ | 5 | | | V |
| Collector Cut-off Current | I_{CEX} | $V_{CE}=35V, V_{EB}=0.4V$ | | | 0.1 | μA |
| Base Cut-off Current | I_{BEX} | $V_{CE}=35V, V_{BE}=0.4V$ | | | 0.1 | μA |
| ON CHARACTERISTICS* | | | | | | |
| DC Current Gain | h_{FE1} | $V_{CE}=1V, I_C=0.1mA$ | 30 | | | |
| | h_{FE2} | $V_{CE}=1V, I_C=1mA$ | 60 | | | |
| | h_{FE3} | $V_{CE}=1V, I_C=10mA$ | 100 | | | |
| | h_{FE4} | $V_{CE}=2V, I_C=150mA$ (Note) | 100 | | 300 | |
| | h_{FE5} | $V_{CE}=2V, I_C=500mA$ (Note) | 20 | | | |
| Collector-Emitter Saturation Voltage | $V_{CE(SAT1)}$ | $I_C=150mA, I_B=15mA$ | | | 0.4 | V |
| | $V_{CE(SAT2)}$ | $I_C=500mA, I_B=50mA$ | | | 0.75 | V |
| Base-Emitter Saturation Voltage | $V_{BE(SAT1)}$ | $I_C=150mA, I_B=15mA$ (Note) | 0.75 | | 0.95 | V |
| | $V_{BE(SAT2)}$ | $I_C=500mA, I_B=50mA$ | | | 1.3 | V |
| SMALL SIGNAL CHARACTERISTICS | | | | | | |
| Transition Frequency | f_T | $V_{CE}=10V, I_C=20mA, f=100MHz$ | 200 | | | MHz |
| Collector-Base Capacitance | C_{cb} | $V_{CB}=10V, I_E=0, f=140kHz$ | | | 8.5 | pF |
| Emitter-Base Capacitance | C_{eb} | $V_{BE}=0.5V, I_C=0, f=140kHz$ | | | 30 | pF |
| Input Impedance | h_{IE} | $V_{CE}=10V, I_C=1mA, f=1kHz$ | 1.5 | | 15 | k Ω |
| Voltage Feedback Ratio | h_{RE} | $V_{CE}=10V, I_C=1mA, f=1kHz$ | 0.1 | | 8 | $\times 10^{-4}$ |
| Small-Signal Current Gain | h_{FE} | $V_{CE}=10V, I_C=1mA, f=1kHz$ | 60 | | 500 | |
| Output Admittance | h_{OE} | $V_{CE}=10V, I_C=1mA, f=1kHz$ | 1.0 | | 100 | $\mu mhos$ |
| SWITCHING CHARACTERISTICS | | | | | | |
| Delay Time | t_D | $V_{CC}=30V, I_C=150mA, I_B=15mA$ | | | 15 | ns |
| Rise Time | t_R | | | | 20 | ns |
| Storage Time | t_S | $V_{CC}=30V, I_C=150mA$ | | | 225 | ns |
| Fall Time | t_F | | $I_{B1}=I_{B2}=15mA$ | | | 30 |

Note Pulse test: Pulse Width \leq 300 μs , Duty Cycle \leq 2%



■ TEST CIRCUIT

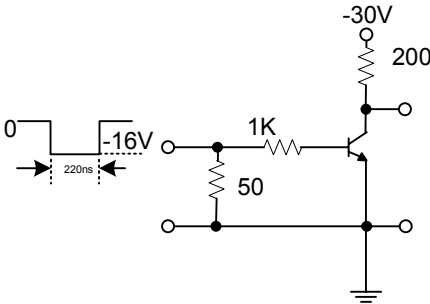


Figure 1. Saturated Turn-On Switching Timer

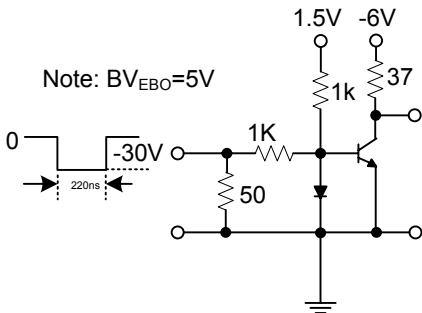
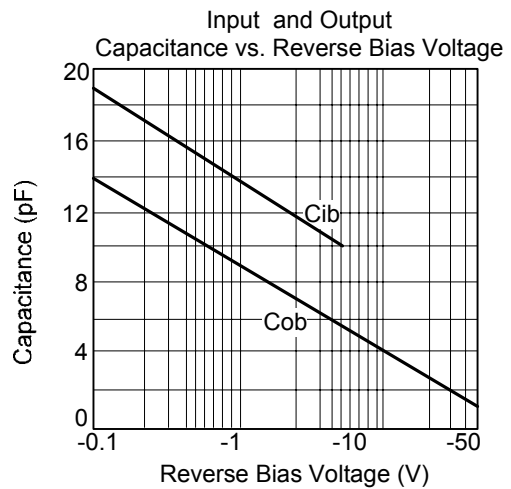
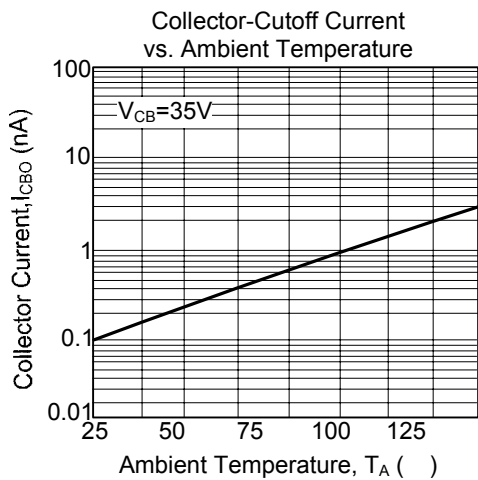
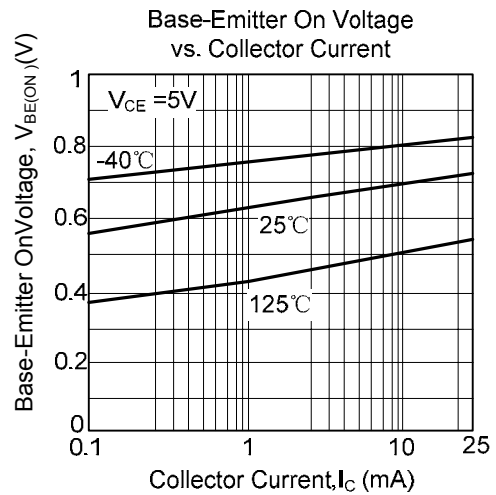
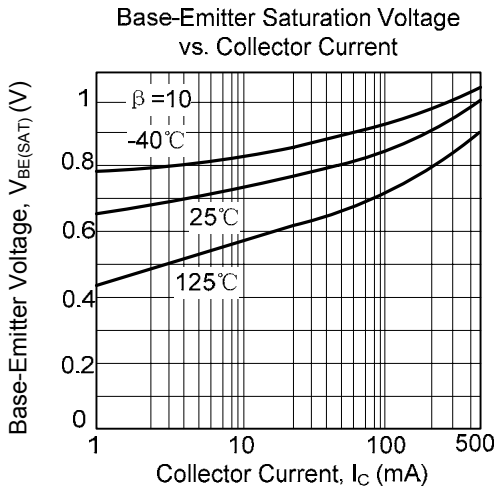
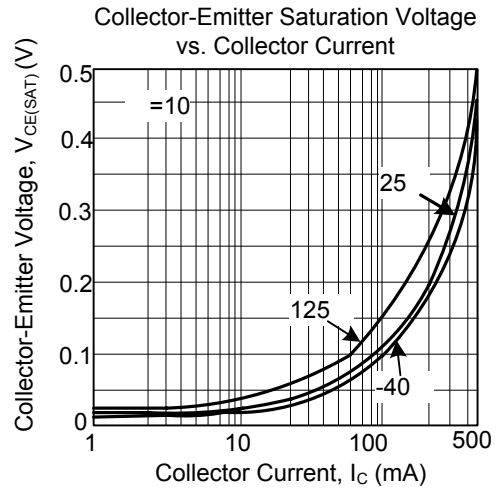
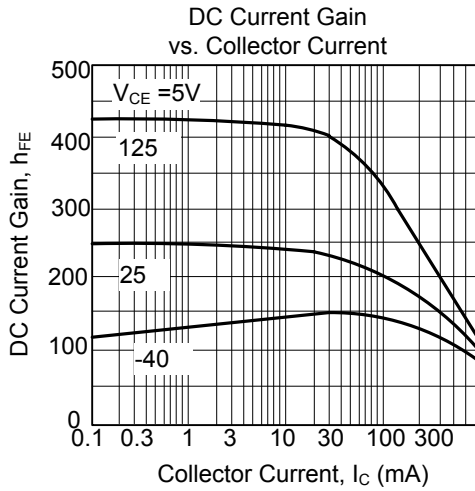


Figure 2. Saturated Turn-Off Switching Timer

TYPICAL CHARACTERISTICS



UTC assumes no responsibility for equipment failures that result from using products at values that exceed, even momentarily, rated values (such as maximum ratings, operating condition ranges, or other parameters) listed in products specifications of any and all UTC products described or contained herein. UTC products are not designed for use in life support appliances, devices or systems where malfunction of these products can be reasonably expected to result in personal injury. Reproduction in whole or in part is prohibited without the prior written consent of the copyright owner. The information presented in this document does not form part of any quotation or contract, is believed to be accurate and reliable and may be changed without notice.