

NOTES:

1.0 PINS WITHOUT ELECTRICAL CONNECTION ARE OMITTED.

ELECTRICAL SPECIFICATIONS:

CURRENT CAPABILITY: : 350 mA

1.0 TURNS RATIO: (P2-P3-P1) : (J6-J3) : 1CT : 1 ±3%  
 (P11-P10-P12) : (J2-J1) : 1CT : 1 ±3%

2.0 INDUCTANCE: (P11-P12) : 350uH MIN. @ 0.1V, 100KHz, 8mA DC Bias  
 (P2-P1) : 350uH MIN. @ 0.1V, 100KHz, 8mA DC Bias

3.0 LEAKAGE INDUCTANCE: P1-P2 (WITH J6 AND J3 SHORT) : 0.3 MAX. @ 1MHz  
 P12-P11 (WITH J2 AND J1 SHORT) : 0.3 MAX. @ 1MHz

4.0 INTERWINDING CAPACITANCE: (P2,P3,P1) TO (J6,J3) : 30pf MAX @ 1MHz  
 (P11,P10,P12) TO (J2,J1) : 30pf MAX @ 1MHz

5.0 DC RESISTANCE: (J1-J2) : 1.2 ohms Max.  
 (J3-J6) : 1.2 ohms Max.

6.0 RETURN LOSS: 1MHz TO 30MHz : 18dB MIN.  
 60MHz TO 80MHz : 12dB MIN.



7.0 DIELECTRIC WITHSTAND: (J1, J2) TO (P11, P12) : 1500 VAC  
 (J3, J6) TO (P1, P2) : 1500 VAC

8.0 INSERTION LOSS: 100KHz TO 100MHz : 1.1 dB TYP

9.0 RISE TIME: OUTPUT VOLTAGE = 1 V peak : 3.0 nS MAX  
 PULSE WIDTH= 112nS : 3.0 nS MAX

10.0 CROSS TALK: 1MHz TO 100MHz : 35 dB TYP

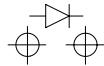
11.0 COMMON TO COMMON MODE ATTENUATION: 1MHz TO 100MHz : 35 dB TYP

 <b>InNet</b>	InNet Technologies, Inc. <a href="http://www.innet-tech.com">http://www.innet-tech.com</a>	
	 <b>Stewart Connector</b>	
SHEET 1 OF 3		DRAWING NO. SI-42003 REV. X2

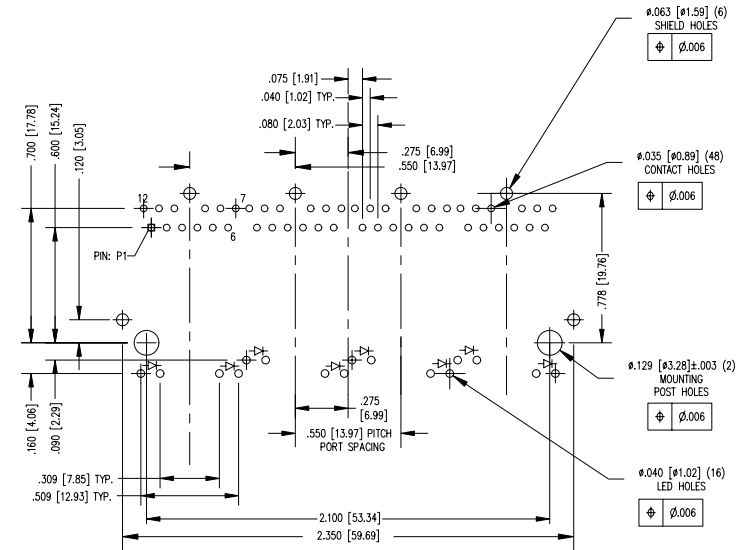
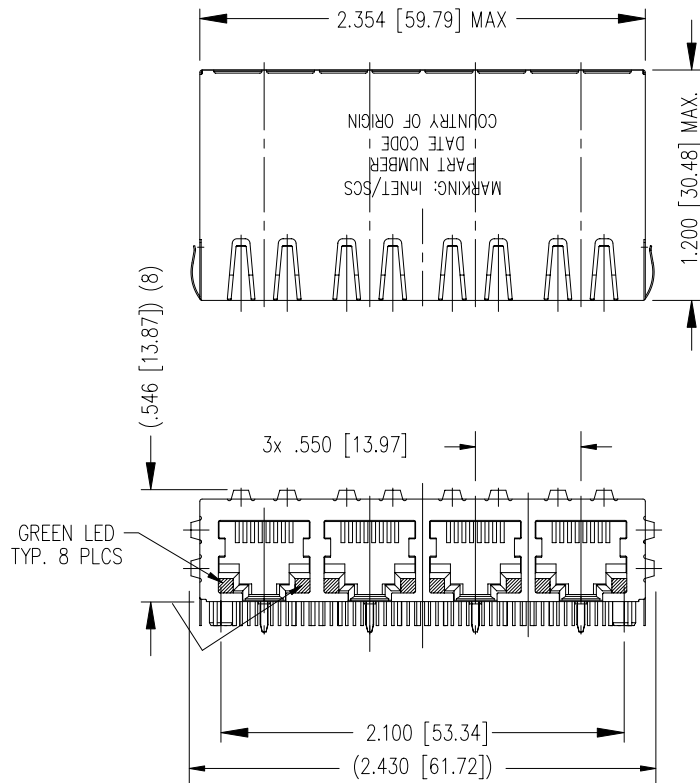
LED SPECIFICATIONS						
STANDARD LED	* FORWARD VOLTAGE (MAX)	* FORWARD VOLTAGE (TYP)	POWER DISSIPATION	WAVELENGTH	LUMINOUS INTENSITY @ 10mA	
					MIN	MAX
GREEN DIFFUSED	2.6 V	2.25 V	105 mW	555 nm	2 MCD	8 MCD

\* WITH A FORWARD CURRENT OF 20 mA

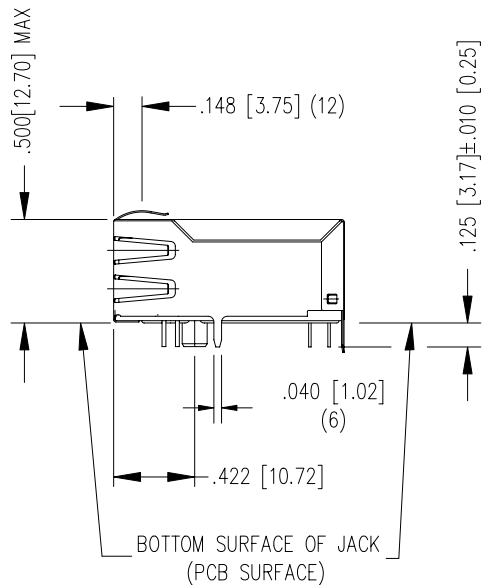
### LED POLARITY (ENLARGED VIEW)



SINGLE COLOR LED



P.C.B. RECOMMENDED HOLE LAYOUT  
SEEN FROM COMPONENT SIDE  
ALL CENTERLINE DIMENSIONS ARE BASIC.

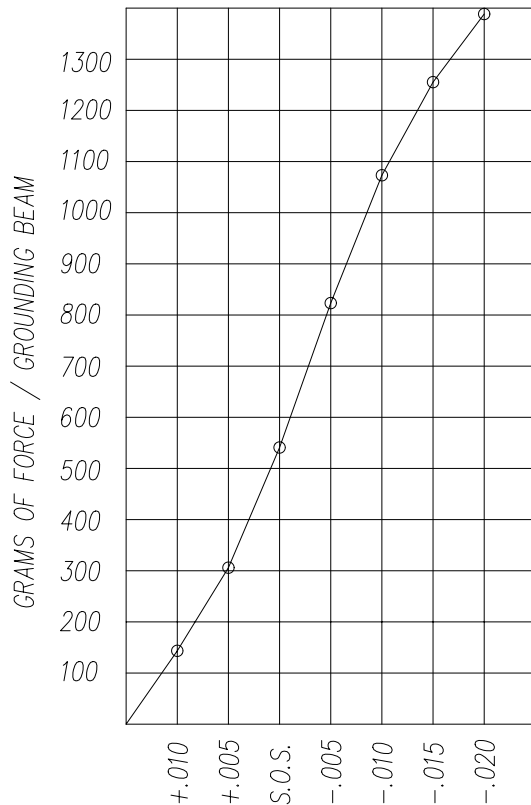


- NOTES:
- TOLERANCES COMPLY WITH F.C.C. DIMENSION REQUIREMENTS
  - DIMENSIONS SHOWN WITH "\*" TO BE CENTRAL ABOUT CENTER LINE
  - DIMENSIONS SHOWN ARE SUBJECT TO CHANGE WITHOUT NOTICE.
  - PIN NOT ELECTRICALLY CONNECTED MAYBE OMITTED. SEE ELECTRICAL DRAWING FOR OMITTED PINS.
  - STANDARD 50 MICRO-INCH SELECTIVE GOLD PLATING
  - ALL POLYMERS FLAMMABILITY - UL94V0

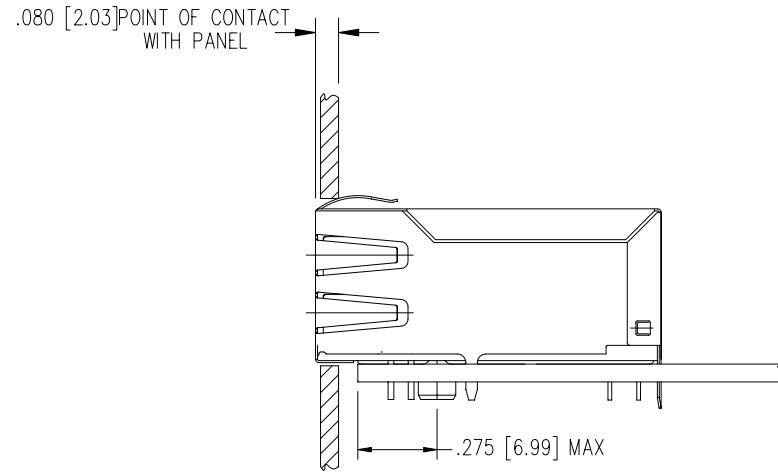
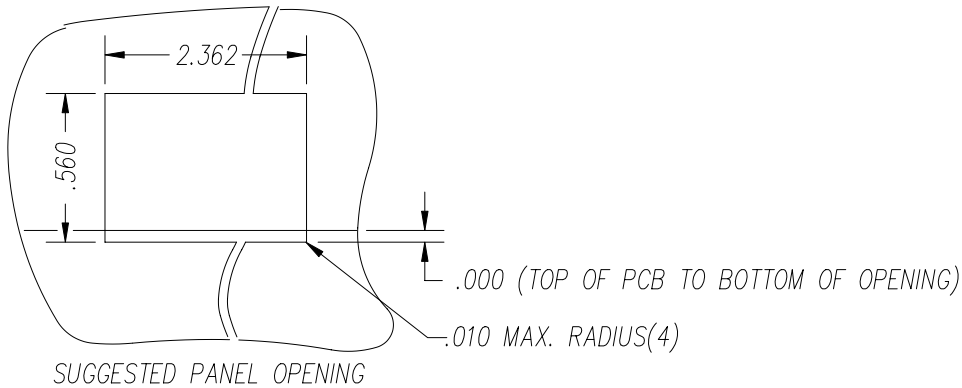
**InNet** InNet Technologies, Inc.  
<http://www.innet-tech.com>

**Stewart Connector** Stewart Connector Systems  
<http://www.stewartconnector.com>

SHEET 2 OF 3 DRAWING NO. SI-42003 REV. X1



PANEL GROUNDING BEAM DEFLECTION  
S.O.S. = SUGGESTED OPENING SIZE



PANEL CONTACT DETAIL  
(NOT TO SCALE)

THE SUGGESTED PANEL OPENING IS INTENDED TO GIVE THE USER THE ABILITY TO HAVE REASONABLE JACK / PANEL CLEARANCES YET MAINTAIN RELIABLE GROUNDING CAPABILITY. THESE VARIABLES CAN BE ADJUSTED IN EITHER DIRECTION BUT MAY CARRY SOME CONSEQUENCES IN THE FORM OF LOWER MATING FORCES OR TIGHTER ASSEMBLY TOLERANCES. FORCE VALUES ON THE GRAPH ARE GENERAL AVERAGES TAKEN AT THE POINT OF CONTACT SHOWN ABOVE. THE SUGGESTED PANEL OPENING INCLUDES APPROXIMATELY .020 CLEARANCE ON THE SIDES AND TOP AND .005 ON THE BOTTOM.

