

Precision Sub-One Volt 1.7 Ampere Output LDO

Jason Hansen
ON Semiconductor



ON Semiconductor

<http://onsemi.com>

APPLICATION NOTE

INTRODUCTION

The following Application Note is a description of a 0.9 volt 1.7 ampere output LDO with an explanation of each circuit element. The dropout voltage is 230 millivolts for 1.7 amperes or 34 millivolts for light loads. Depending upon system design, the minimum input voltage can be less than 1.4 volts.

SYSTEM DESIGN

For an accurate output voltage, a precision voltage reference must be used for the feedback network. A device should not be used if the output voltage is within a 20% margin from the reference voltage. Since the output voltage is below 1.0 volts, the traditional TL431 and TLV431 programmable precision references cannot be used. Instead the NCP100 is selected with its 0.7 volt reference. With a low reference level, 0.9 volts is attainable with a greater than 20% margin.

In selecting the pass transistor, one must decide between a NPN and a PNP. Since this design is from a single supply, the NPN drop out voltage minimum is the greater of the saturation voltage from collector to emitter or the base to emitter on voltage. For the PNP the minimum voltage drop from input to output is the saturation voltage of emitter to collector. To maximize the output current and minimize the voltage drop, the MBT35200MT1 PNP is selected for this design. This PNP has a 2.0 ampere collector current, maximum emitter to collector saturation voltage of 0.31 volts, typical DC current gain of 200, and maximum emitter to base voltage of 0.875 volts.

With the voltage reference and the pass element selected, the remaining components in the circuit are placed. Refer to

Figure 1 for the circuit schematic. Since a PNP transistor is implemented, the signal from the precision reference needs to be inverted. A small signal NPN, Q2, is used for this purpose. There is a voltage differential issue with driving the base of a NPN, 0.6 to 0.7 volt turn on, from the NCP100 cathode, 0.9 volts minimum. To level shift the voltages, a diode will be placed between the cathode and the gate. A resistor, R5, from gate to ground is used for two purposes: pull the gate to ground for turn off and provide a bias current through the diode to set a minimum voltage drop. If the minimum voltage drop is not set properly, the NPN will have a small base current that will be amplified by the NPN and the PNP providing a voltage runaway condition at the output voltage during light or no load.

In addition to Q2 to invert the control signal from the NCP100, R6 is used to pull up the gate to the input voltage to turn off the MBT35200MT1. R4 is an over current protection resistor. R4 is determined by subtracting the minimum input voltage from the maximum V_{be} of Q1 and maximum V_{sat} of Q2, then dividing by the base current of Q1.

C3, a 1 microfarad capacitor, is necessary to support the NCP100 for normal operation. Its purpose is to stabilize the operation of the precision reference. It has a negligible effect on the response time of the system. R1 and R2 are the resistor divider feedback network. C4 is used for fast transient response of the system. R3 provides the DC bias for the NCP100. The value of R3 is limited by the response of the system at low line and low load. If the value of R3 is too large, oscillations occur on the output. If R3 is too small, the output voltage will run away at high line and low load.

AND8028/D

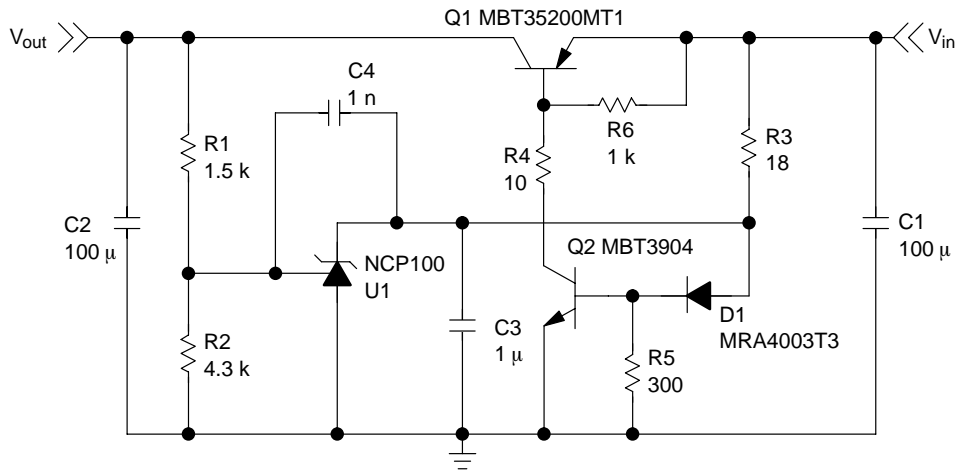


Figure 1. Circuit Schematic for 0.9 Volt 1.7 Ampere LDO

RESULTS

Utilizing the circuit in Figure 1, layout in Figure 3 and values in Table 1, the output voltage varies 40 millivolts between 1.5 volts to 3.0 volts and 0 amperes to 1.7 amperes for an output voltage centered at 0.945 volts, which equates to a $\pm 2.5\%$ variation for load and line. The voltage droop due to load transient is small as seen in Figure 2. If R1 is varied to change the output voltage to 1.8 volts, the minimum drop out voltage is 34 millivolts under light load conditions and 230 millivolts for 1.7 amperes. The minimum input voltage to operate of the circuit in Figure 1 is 1.42 volts for 1.7 amperes and 1.37 volts for 0.5 amperes. As discussed previously, the operating range of this circuit can vary depending upon R3.

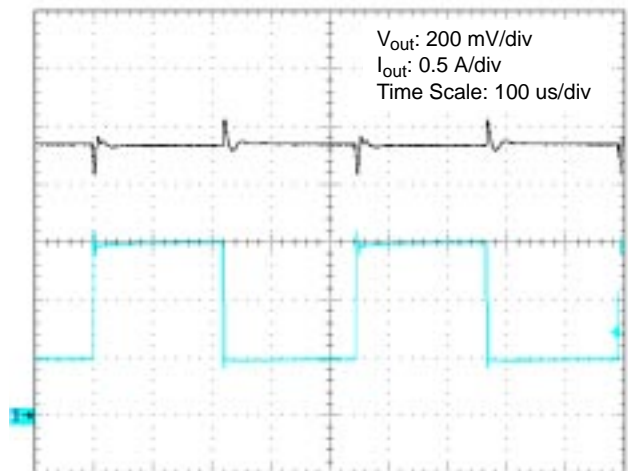


Figure 2. Load Transient for 1.8 Volts In and Load from 0.5 Amperes to 1.5 Amperes

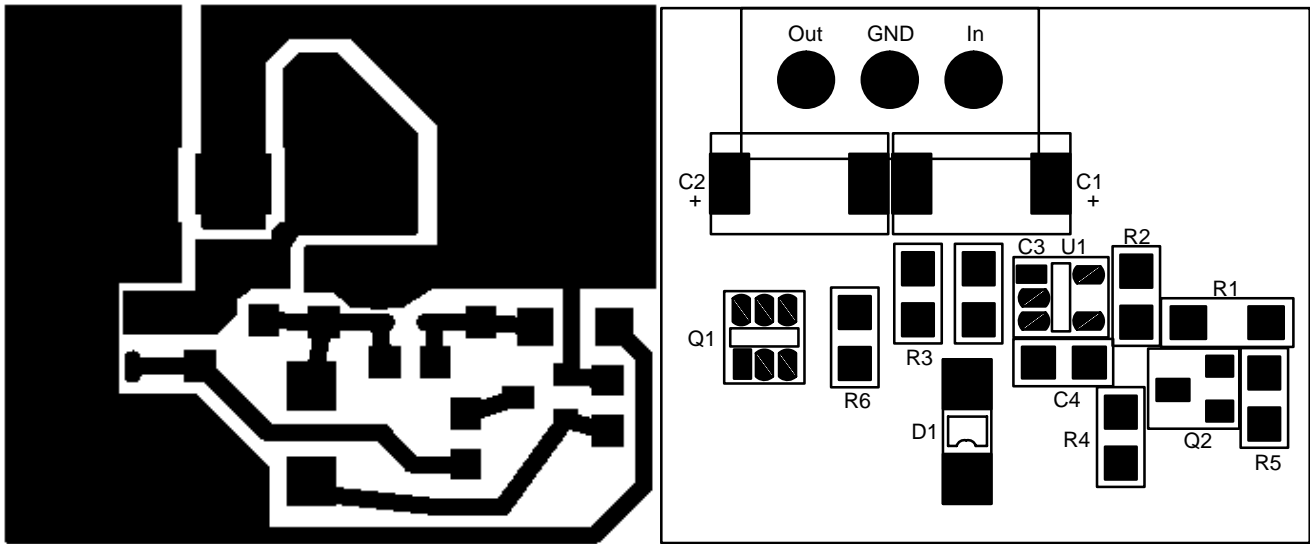



Figure 3. Layout of NCP100/MBT35200 LDO (4x)

Table 1. Part Description for LDO Circuit

Reference	Part	Description
C1	100 u	AVX Tantalum SMT
C2	100 u	AVX Tantalum SMT
C3	1 u	0805 Ceramic Chip Cap
C4	1 n	0805 Ceramic Chip Cap
D1	MRA4003T3	ON Semiconductor SMA Diode
JP1	Connector	3 Pin Connector
Q1	MBT35200	ON Semiconductor TSOP-6 PNP
Q2	MBT3904	ON Semiconductor SOT-23 NPN
R1	1.5 k	1206 Chip Resistor
R2	4.3 k	0805 Chip Resistor
R3	18	0805 Chip Resistor
R4	10	0805 Chip Resistor
R5	300	0805 Chip Resistor
R6	1 k	0805 Chip Resistor
U1	NCP100	ON Semiconductor Precision Reference

ON Semiconductor and  are trademarks of Semiconductor Components Industries, LLC (SCILLC). SCILLC reserves the right to make changes without further notice to any products herein. SCILLC makes no warranty, representation or guarantee regarding the suitability of its products for any particular purpose, nor does SCILLC assume any liability arising out of the application or use of any product or circuit, and specifically disclaims any and all liability, including without limitation special, consequential or incidental damages. "Typical" parameters which may be provided in SCILLC data sheets and/or specifications can and do vary in different applications and actual performance may vary over time. All operating parameters, including "Typicals" must be validated for each customer application by customer's technical experts. SCILLC does not convey any license under its patent rights nor the rights of others. SCILLC products are not designed, intended, or authorized for use as components in systems intended for surgical implant into the body, or other applications intended to support or sustain life, or for any other application in which the failure of the SCILLC product could create a situation where personal injury or death may occur. Should Buyer purchase or use SCILLC products for any such unintended or unauthorized application, Buyer shall indemnify and hold SCILLC and its officers, employees, subsidiaries, affiliates, and distributors harmless against all claims, costs, damages, and expenses, and reasonable attorney fees arising out of, directly or indirectly, any claim of personal injury or death associated with such unintended or unauthorized use, even if such claim alleges that SCILLC was negligent regarding the design or manufacture of the part. SCILLC is an Equal Opportunity/Affirmative Action Employer.

PUBLICATION ORDERING INFORMATION

NORTH AMERICA Literature Fulfillment:

Literature Distribution Center for ON Semiconductor
 P.O. Box 5163, Denver, Colorado 80217 USA
Phone: 303-675-2175 or 800-344-3860 Toll Free USA/Canada
Fax: 303-675-2176 or 800-344-3867 Toll Free USA/Canada
Email: ONlit@hibbertco.com
 Fax Response Line: 303-675-2167 or 800-344-3810 Toll Free USA/Canada

N. American Technical Support: 800-282-9855 Toll Free USA/Canada

EUROPE: LDC for ON Semiconductor – European Support

German Phone: (+1) 303-308-7140 (Mon-Fri 2:30pm to 7:00pm CET)
Email: ONlit-german@hibbertco.com
French Phone: (+1) 303-308-7141 (Mon-Fri 2:00pm to 7:00pm CET)
Email: ONlit-french@hibbertco.com
English Phone: (+1) 303-308-7142 (Mon-Fri 12:00pm to 5:00pm GMT)
Email: ONlit@hibbertco.com

EUROPEAN TOLL-FREE ACCESS*: 00-800-4422-3781
 *Available from Germany, France, Italy, UK, Ireland

CENTRAL/SOUTH AMERICA:

Spanish Phone: 303-308-7143 (Mon-Fri 8:00am to 5:00pm MST)
Email: ONlit-spanish@hibbertco.com

ASIA/PACIFIC: LDC for ON Semiconductor – Asia Support

Phone: 303-675-2121 (Tue-Fri 9:00am to 1:00pm, Hong Kong Time)
Toll Free from Hong Kong & Singapore:
001-800-4422-3781
Email: ONlit-asia@hibbertco.com

JAPAN: ON Semiconductor, Japan Customer Focus Center
 4-32-1 Nishi-Gotanda, Shinagawa-ku, Tokyo, Japan 141-0031

Phone: 81-3-5740-2700
Email: r14525@onsemi.com

ON Semiconductor Website: <http://onsemi.com>

For additional information, please contact your local Sales Representative.