

**4-CHANNEL 1/2/4G FIBRE CHANNEL INTELLIGENT LOOP CIRCUIT/
DUAL RETIMER/REPEATER WITH EYEOPENER®**

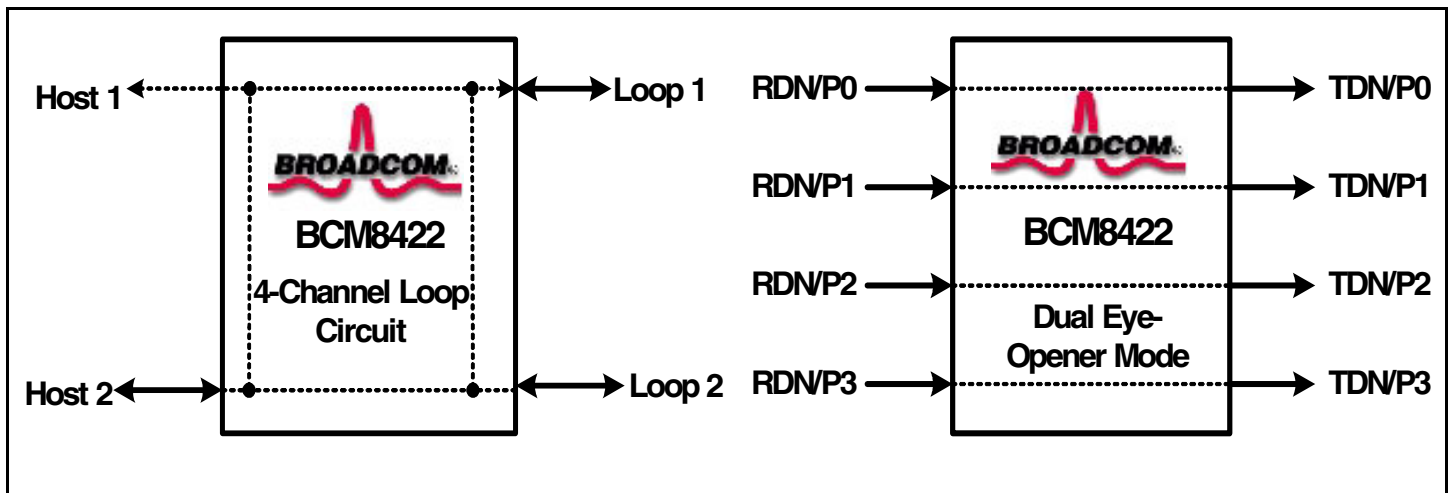
FEATURES

- 4-channel loop circuit to configure fibre channel hard disk drives in FC-AL configurations
- Dual-channel retimer/repeater with EyeOpener exceeding fibre channel signalling specifications
- Multi-rate support for new and legacy systems
- Active Signal Integrity (Active-SI) monitors physical layer and Active Link Integrity (Active-LI) monitors link-layer performance
- Programmable transmit output levels and receive LOS detection
- High-performance receive equalization and programmable transmit pre-emphasis
- Per channel link LED drivers for valid fibre channel frames and speed detection
- Developed using advanced 0.13u CMOS process technology

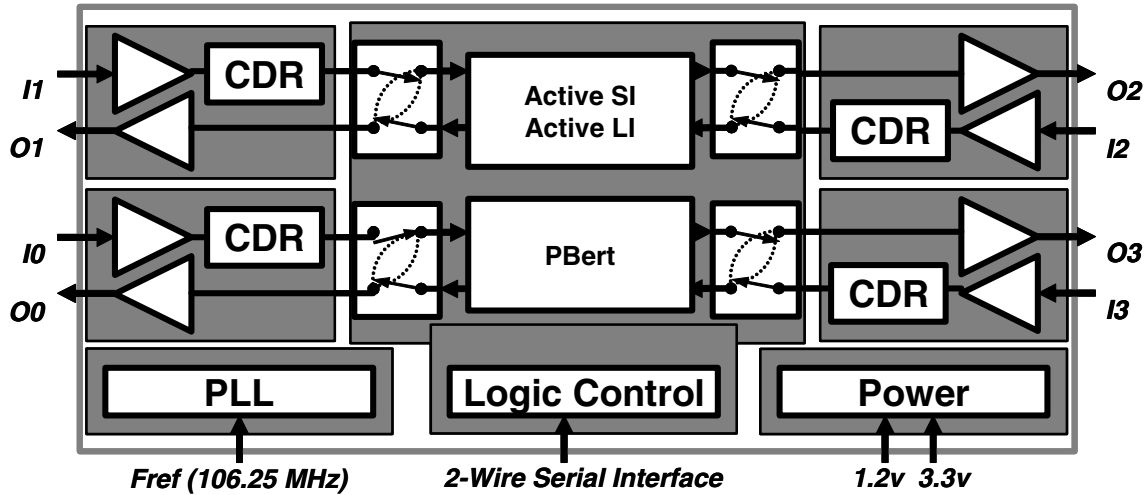
SUMMARY OF BENEFITS

- Low-cost back end solution for fibre channel disk drive arrays
- Guarantees jitter and bit-error-rate performance on optical and fiber links
- Supports legacy 1.0625G and 2.125G applications and new 4.25G data rates off a single reference clock frequency
- On-chip intelligent diagnostics provides insight to the signal quality with detection and recovery mechanisms on each high-speed link
- Optimizes channel performance for lower power and signal detection through on-chip 2-wire control interface
- Transmits and receives over long distances of copper cables or backplanes with 16 levels of programmable pre-emphasis
- Provides visual indications on PCBs for link status and 1.0625G, 2.125G, or 4.25G data rate transmissions
- Low power design of ~1.5W with small footprint package in a 13 mm x 13 mm BGA, with 1 mm ball pitch

BCM8422 Diagram



OVERVIEW



The **BCM8422** is an intelligent back end Fibre Channel loop circuit that facilitates the implementation of an IBOD (Intelligent Bunch of Disks) on Fibre Channel Storage Array Systems. The BCM8422 can also be configured as a dual Retimer/Repeater with EyeOpener[®] device designed to drive optical and copper ports in Fibre Channel applications.

Each port of the **BCM8422** can be independently configured as a retimer or repeater operating at the Fibre Channel data rates of 1.0625 Gbps, 2.125 Gbps, and 4.25 Gbps. With an on-chip low-jitter phase-locked loop (PLL), the **BCM8422** exceeds Fibre Channel signal quality specifications.

The **BCM8422** features Active Signal Integrity (Active-SI), which allows monitoring of the received signal at each high-speed port to determine signal eye quality and bit error rate (BER) for system diagnostics, fault isolation, optics aging, and

maintenance. An on-chip pattern generator/checker is provided with internal loopback capability on each I/O port.

The **BCM8422** also features Active Link Integrity (Active-LI), which is a set of advance link integrity functions performing data generation and checking on transmitted Fibre Channel data. The combination of Active-SI and Active-LI improves storage system's Reliability, Availability, and Serviceability (RAS) with the ability to monitor and diagnose system integrity.

Data from each port can be optionally retimed utilizing an elastic FIFO and local crystal reference clock eliminating jitter transfer. The **BCM8422** can also be configured to operate in repeater mode for low latency.

The **BCM8422** is available in a 13 mm x 13 mm BGA package.

Broadcom[®], the pulse logo, and **Connecting everything**[®] are trademarks of Broadcom Corporation and/or its subsidiaries in the United States and certain other countries. All other trademarks mentioned are the property of their respective owners.

Connecting
everything[®]



BROADCOM CORPORATION
16215 Alton Parkway, P.O. Box 57013
Irvine, California 92619-7013

© 2004 by BROADCOM CORPORATION. All rights reserved.

8422-PB00-R 02/17/04

Phone: 949-450-8700
Fax: 949-450-8710
E-mail: info@broadcom.com
Web: www.broadcom.com