



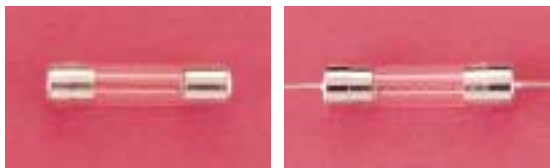
defining a degree of excellence

# Type 8AG / 8AP

## Fast Blow Fuse Series

1/4 x 1 inch Glass Tube

8AGD0202



### Electrical Characteristics (UL/CSA STD. 248-14)

Testing current	Blow Time	
	Minimum	Maximum
100%	4 Hrs.	N/A
135%	N/A	1 Hr
200%	N/A	5 sec

### Approvals



Safety Agency Approvals	Type	Amp range / Volt @ I.R. ability
Listed File No. E20624	8AG / 8AP	80mA - 2A / 250V AC@ 100A 80mA - 7A / 125V AC@ 10000A
Certified File No. LR39772	8AG / 8AP	80mA - 1A / 250V AC@ 35A 1A - 2A / 250V AC@ 100A 80mA - 5A / 125V AC@ 10000A
Approval File No. 32-1764 / No. 32-1766 File No. 32-1765	8AG / 8AP 8AG	1A - 5A / 125V AC@ 500A >5A - 15A / 125V AC@ 300A

### Operating Temperature

-55°C to +125°C

### Physical Specification

#### Materials

Glass body / Nickel Plated Brass Caps

Lead wire:

Tin-lead plated Copper, Diameter 0.032" thru' 7A

#### Marking

On fuse:

"bel", "8AG", "Current Rating", "Voltage Rating", and "Appropriate Safety Logos"

On label:

Above info plus "CE" and interrupting rating

Voltage on fuse:

250V for 80mA to 2A; 125V for 2A and above

#### Packaging

1. In bulk:

**8AG** - 1,000 pcs per box; **8AP** - 500 pcs per box

2. On Axial Tape & Reel:

1,000 pcs per reel

3. Tape & Reel specification:

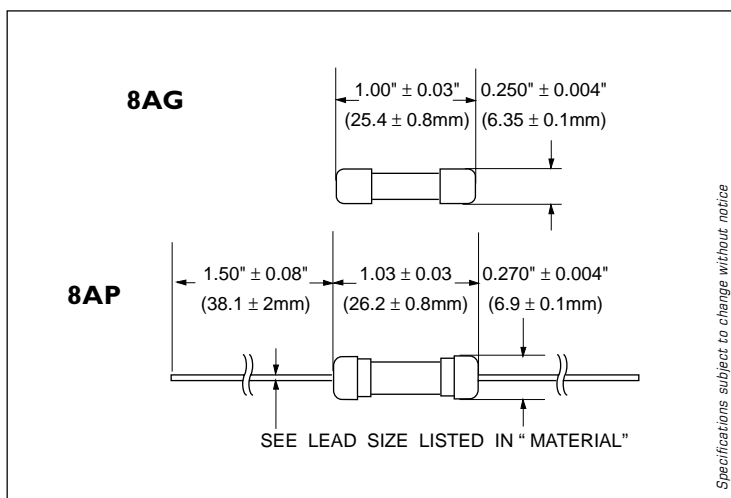
per EIA-296-E & IEC 286-1

@ 10mm Pitch and 73mm inside Tape Spacing

Catalog Number	Ampere Rating	Typical Cold Resistance (ohm)	Volt-drop @100% In (Volt) max.	Melting I <sup>2</sup> T < 10 mSec (A <sup>2</sup> Sec)	Melting I <sup>2</sup> T @10 In (A <sup>2</sup> Sec)	Maximum Power Dissipation (W)
8AG (P) 80	80mA	13.6	3.71	0.0013	0.001	0.43
8AG (P) 100	100mA	10.3	3.28	0.002	0.002	0.48
8AG (P) 125	125mA	7.0	3.67	0.004	0.003	0.68
8AG (P) 150	150mA	5.3	3.24	0.007	0.006	0.72
8AG (P) 200	200mA	4.0	2.86	0.013	0.011	0.84
8AG (P) 250	250mA	3.1	2.53	0.023	0.019	0.93
8AG (P) 350	350mA	2.0	2.10	0.054	0.046	1.10
8AG (P) 500	500mA	0.34	0.217	0.23	0.22	0.16
8AG (P) 750	750mA	0.19	0.207	0.69	0.68	0.23
8AG (P) 1	1A	0.14	0.202	1.20	1.21	0.30
8AG (P) 1.25	1.25A	0.10	0.197	2.09	2.13	0.37
8AG (P) 1.5	1.5A	0.08	0.193	3.6	3.8	0.44
8AG (P) 2	2A	0.06	0.188	6.4	6.7	0.55
8AG (P) 2.5	2.5A	0.04	0.184	11.1	11.8	0.68
8AG (P) 3	3A	0.03	0.179	19.3	20.9	0.81
8AG (P) 3.5	3.5A	0.027	0.177	25.5	27.8	0.92
8AG (P) 4	4A	0.023	0.175	34	37	1.03
8AG (P) 5	5A	0.017	0.171	59	65	1.26
8AG (P) 6	6A	0.013	0.167	102	116	1.49
8AG (P) 7	7A	0.011	0.165	135	154	1.71

Consult manufacturer for other ratings

### Mechanical Dimensions



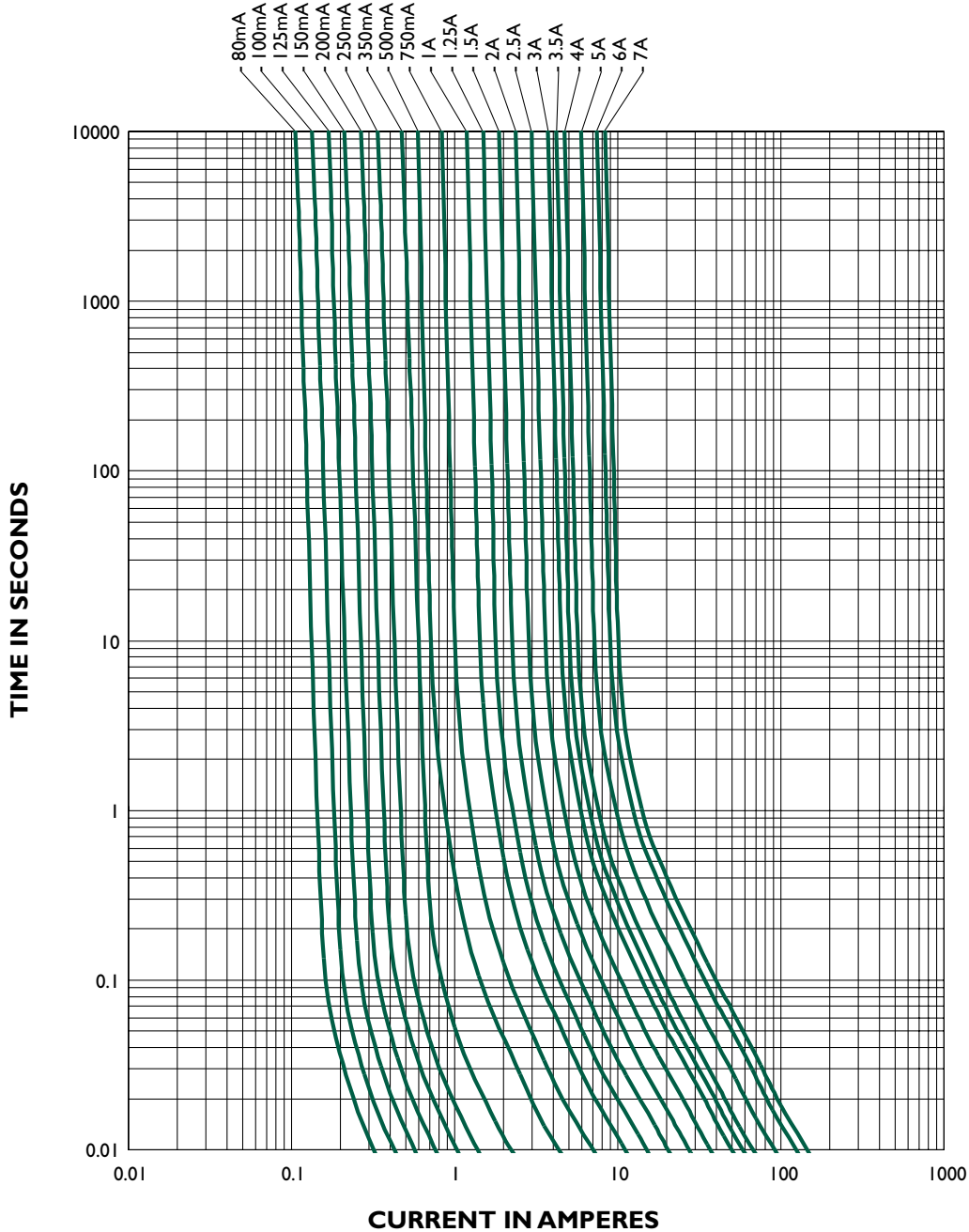
ORDERING INFORMATION SEE PAGES 67 & 68

**Type 8AG / 8AP**  
Fast Blow Fuse Series

1/4 x 1 inch Glass Tube

8AGC0801

**8AG / 8AP - TIME CURRENT CHARACTERISTIC CURVE**



Specifications subject to change without notice

NOTE - see important information under "User Guide" on P.08

**Corporate Office**  
**Bel Fuse Inc.**  
 206 Van Vorst Street, Jersey City, NJ 07302  
 Tel: 201-432-0463  
 Fax: 201-432-9542  
 E-Mail: [belfuse@belfuse.com](mailto:belfuse@belfuse.com)  
 Website: [www.belfuse.com](http://www.belfuse.com)

**Far East Office**  
**Bel Fuse Ltd.**  
 8F/8 Luk Hop Street  
 San Po Kong  
 Kowloon, Hong Kong  
 Tel: 852-2328-5515  
 Fax: 852-2352-3706

**European Office**  
**Bel Fuse Europe Ltd.**  
 Preston Technology Management Centre  
 Marsh Lane, Preston PR1 8UD  
 Lancashire, U.K  
 Tel: 44-1772-556601  
 Fax: 44-1772-888366