

C/A-1501X, C/A-1505X SINGLE DIGIT DISPLAY



| Shape | Part No. | | Chip | | Wave Length λ_p (nm) | Electro-Optical Characteristics | | | Fig. No. |
|--|----------------|--------------|--------------|---------------|---------------------------------|---------------------------------|------|-------------|----------|
| | Common Cathode | Common Anode | Raw Material | Emitted Color | | Vf(V)20mA | | Iv(ucd)10mA | |
| | | | | | | Typ. | Max. | Typ. | |
|  | C-1501H | A-1501H | GaP | Red | 700 | 4.2 | 5.6 | 1200 | D17 |
| | C-1501E | A-1501E | GaAsP/GaP | Hi. effi Red | 635 | 4.0 | 5.6 | 4200 | |
| | C-1501G | A-1501G | GaP | Green | 565 | 4.2 | 5.6 | 4000 | |
| | C-1501Y | A-1501Y | GaAsP/GaP | Yellow | 585 | 4.2 | 5.6 | 3200 | |
| | C-1501SR | A-1501SR | GaAlAs | Super Red | 660 | 3.6 | 4.8 | 40000 | |
|  | C-1505H | A-1505H | GaP | Red | 700 | 4.2 | 5.6 | 1200 | D18 |
| | C-1505E | A-1505E | GaAsP/GaP | Hi. effi Red | 635 | 4.0 | 5.6 | 4200 | |
| | C-1505G | A-1505G | GaP | Green | 565 | 4.2 | 5.6 | 4000 | |
| | C-1505Y | A-1505Y | GaAsP/GaP | Yellow | 585 | 4.2 | 5.6 | 3200 | |
| | C-1505SR | A-1505SR | GaAlAs | Super Red | 660 | 3.6 | 4.8 | 40000 | |

Fig.D17

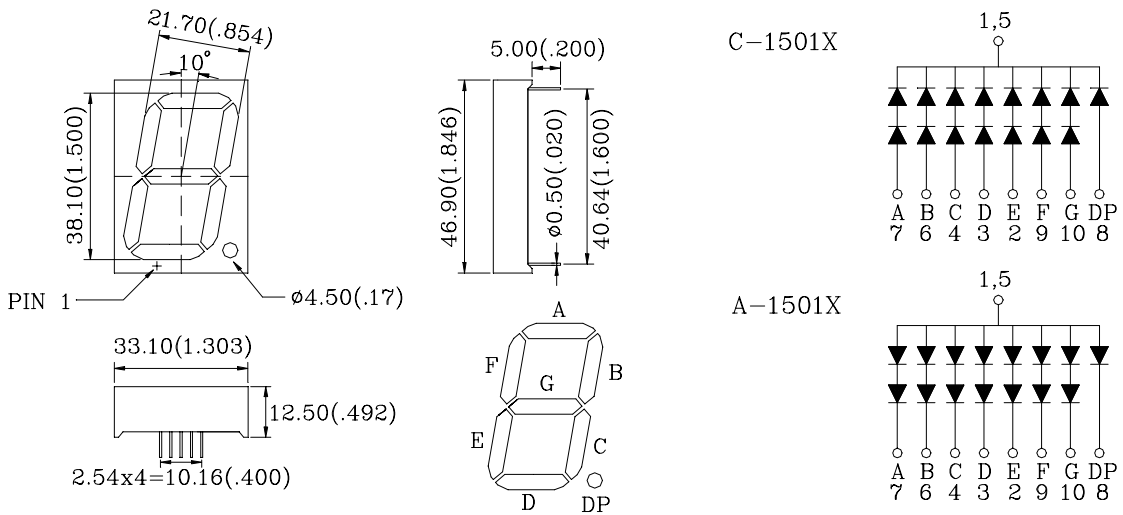
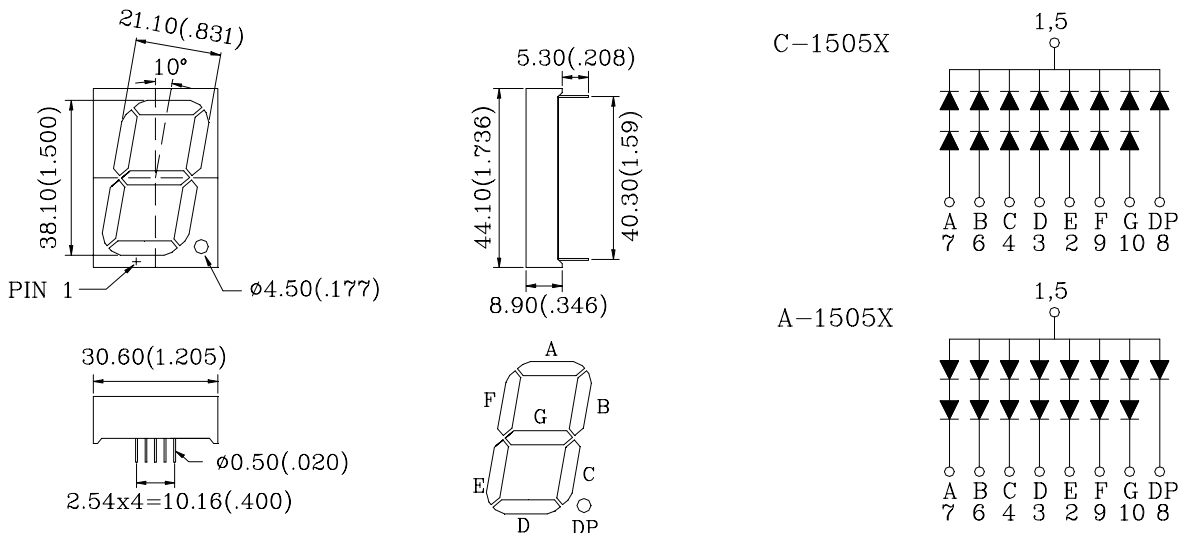


Fig.D18



1.All dimension are in millimeters (inches).
2.Tolerance is ± 0.25 mm (0.01") unless otherwise specified.

This datasheet has been downloaded from:

www.DatasheetCatalog.com

Datasheets for electronic components.