

# Tire Pressure Monitoring Sensor Temperature Compensated and Calibrated, Fully Integrated, Digital Output

## GENERAL DESCRIPTION

The Motorola MPXY8020A is an 8-pin tire monitoring sensor which is comprised of a variable capacitance pressure sensing element, a temperature sensing element, and an interface circuit (with a wake-up feature) all on a single chip. It is housed in a Super-Small Outline Package (SSOP), which includes a media protection filter. Specifically designed for the low power consumption requirements of tire pressure monitoring systems, it can combine with a Motorola remote keyless entry (RKE) system to facilitate a low-cost highly integrated system.

### Detailed Description

The block diagram of the MPXY8020A is shown in Figure 1. The pressure sensor is a capacitive transducer constructed using surface micromachining, the temperature sensor is constructed using a diffused resistor, and the interface circuit is integrated onto the same die as the sensors using a standard silicon CMOS process.

The conditioning of the pressure signal begins with a capacitance to voltage conversion (C to V) followed by a switched capacitor amplifier. This amplifier has adjustable offset and gain trimming. The offset and gain are factory calibrated, with calibration values stored in the EEPROM trim register. This amplifier also has temperature compensation circuits for both sensitivity and offset, which also are factory-adjusted using the EEPROM trim register.

The pressure is monitored by a voltage comparator, which compares the measured value against an 8-bit threshold adjusted by a serial input. By adjusting the threshold and monitoring the state of the OUT pin the external device can check whether a low-pressure threshold has been crossed, or perform up to 8-bit A/D conversions.

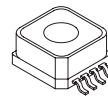
The temperature is measured by a diffused resistor with a positive temperature coefficient driven by a current source, thereby creating a voltage. The room temperature value of this voltage is factory-calibrated using the EEPROM trim register. A two-channel multiplexer can route either the pressure or temperature signal to a sampling capacitor that is monitored by a voltage comparator with variable threshold adjust, providing a digital output for temperature.

An internal low frequency, low power 5.4 kHz oscillator with a 14-stage divider provides a periodic pulse to the OUT pin (divide by 16384 for 3 seconds). This pulse can be used to wake up an external MCU to begin an interface with the device. An additional 10-stage divider will provide a pulse every 52 minutes which can be used to reset an external MCU.

The power consumption can be controlled by several operational modes selected by external pins.

**MPXY8020A**

**TIRE PRESSURE MONITORING  
 SENSOR  
 OPTIMIZED FOR 250 kPa – 450 kPa**



**SUPER SMALL OUTLINE PACKAGE  
 CASE 1352**

## ORDERING INFORMATION

Shipped in Rails	Shipped in Tape & Reel
MPXY8020A6U	MPXY8020A6T1

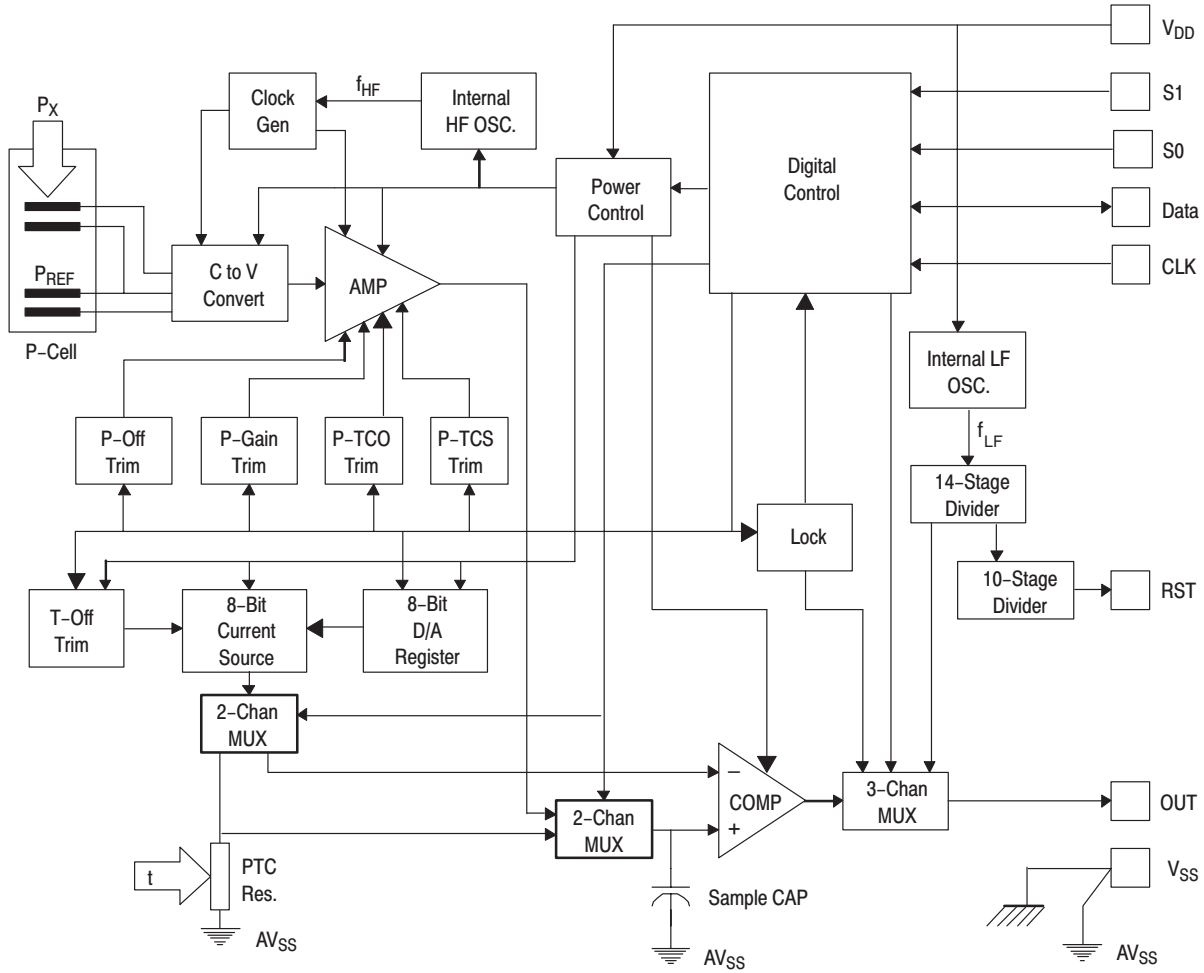
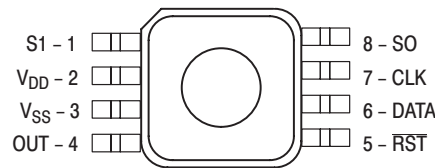


Figure 1. MPXY8020A Block Diagram

**Package Pinout**

The pinout for this 8-pin SSOP device is shown in Figure 2.



8-pin Super Small Outline Package (SSOP)

Figure 2. MPXY8020A Device Pinout

Freescale Semiconductor, Inc.

**Operating Modes**

The device has several operating modes dependent on the applied voltages to the S1 and S0 pins as shown in Table 1. In all the modes listed the channel multiplexers, D/A Register, LFO, and the output pulse dividers will always be powered up as long as there is a voltage source connected to the V<sub>DD</sub> pin.

When only the S0 pin is at a logic one the pressure measuring circuit in the device is powered up and the pressure output signal is connected to the sample capacitor through a multiplexer. When the S0 pin returns to the low state the multiplexer will first turn off to store the signal on the sample capacitor before powering down the measuring circuitry.

When only the S1 pin is at a logic one the temperature measuring circuit in the device is powered up and the temperature output signal is connected to the sample capacitor through a multiplexer. When the S1 pin returns to the low state the multiplexer will first turn off to store the signal on the

sample capacitor before powering down the measuring circuitry.

NOTE: All of the EEPROM trim bits will be powered up regardless of whether the pressure or temperature measuring circuitry is activated.

NOTE: If the voltage on the S1 pin exceeds 2.5 times the voltage on the V<sub>DD</sub> pin the device will be placed into its Trim/Test Mode.

NOTE: If the V<sub>DD</sub> supply source is switched off in order to reduce current consumption, it is important that all input pins be driven LOW to avoid powering up the device.

If any input pin (S1, S0, DATA, or CLK) is driven HIGH while the V<sub>DD</sub> supply is switched off, the device may be powered up through an ESD protection diode. In such a case, the effective V<sub>DD</sub> voltage will be about 0.3 V less than the voltage applied to the input pin, and the full device I<sub>DD</sub> current will be drawn from the device driving input.

**Table 1. Operating Modes**

S1	S0	Operating Mode	Circuitry Powered				Serial Data Counter
			Pressure Measure System	Temp Measure System	A/D Output Comp.	LFO Oscill.	
0	0	Standby/Reset	OFF	OFF	OFF	ON	ACTIVE
0	1	Measure Pressure	ON	OFF	OFF	ON	RESET
1	0	Measure Temperature	OFF	ON	OFF	ON	RESET
1	1	Output Read	OFF	OFF	ON	ON	ACTIVE

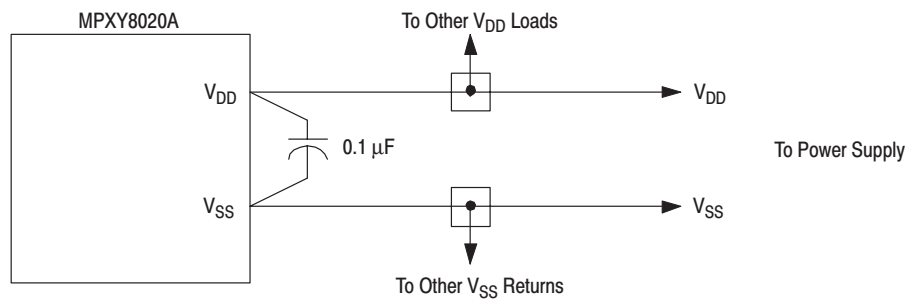
**Pin Functions**

The following paragraphs give a description of the general function of each pin.

**V<sub>DD</sub> and V<sub>SS</sub> Pins**

Power is supplied to the control IC through V<sub>DD</sub> and V<sub>SS</sub>. V<sub>DD</sub> is the positive supply and V<sub>SS</sub> is the digital and analog

ground. The control IC operates from a single power supply. Therefore, the conductors to the power supply should be connected to the V<sub>DD</sub> and V<sub>SS</sub> pins and locally decoupled as shown in Figure 3.



**Figure 3. Recommended Power Supply Connections**

**OUT Pin**

The OUT pin normally provides a digital signal related to the voltage applied to the voltage comparator and the threshold level shifted into an 8-bit register from an external device. When the device is placed in the standby mode the

OUT pin is driven high and will be clocked low when an overflow is detected from a clock divider (divide by 16384) driven by the LFO. This allows the OUT pin to wake up an external device such as an MCU.

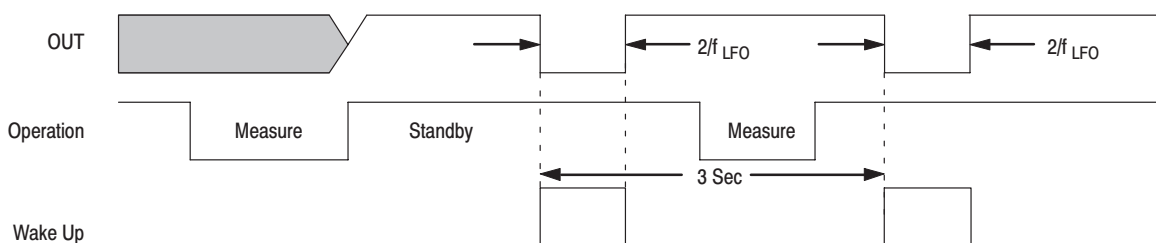


Figure 4. Pulse on OUT Pin During Standby Mode

**RST Pin**

The  $\overline{\text{RST}}$  pin is normally driven high and will be clocked low when an overflow is detected from total clock divider (divide by 16,777,216) driven by the LFO. This allows the  $\overline{\text{RST}}$  pin to reset an external device such as an MCU. This pulse will appear on the  $\overline{\text{RST}}$  pin approximately every 52 minutes

regardless of the operating mode of the device. The pulse lasts for two cycles of the LFO oscillator as shown in Figure 5. Since the  $\overline{\text{RST}}$  pin is clocked from the same divider string as the OUT pin, there will also be a pulse on the OUT pin when the  $\overline{\text{RST}}$  pin pulses every 52 minutes.

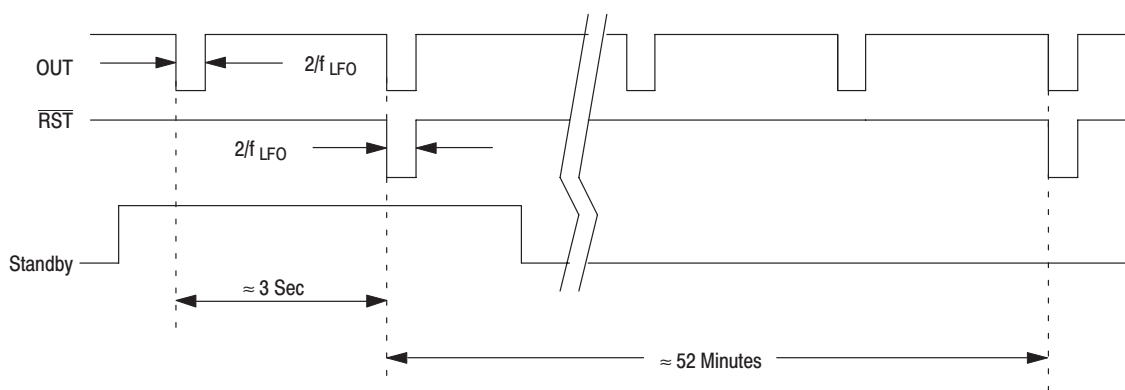


Figure 5. Pulse on  $\overline{\text{RST}}$  Pin

**S0 Pin**

The S0 pin is used to select the mode of operation as shown in Table 1.

The S0 pin contains an internal Schmitt trigger as part of its input to improve noise immunity. The S0 pin has an internal pull-down device in order to provide a low level when the pin is left unconnected.

**S1 Pin**

The S1 pin is used to select the mode of operation, as shown in Table 1.

The S1 pin contains an internal Schmitt trigger as part of its input to improve noise immunity. This pin has an internal pulldown device to provide a low level when the pin is left unconnected.

The S1 pin also serves the purpose of enabling factory trim and test of the device.

The higher  $V_{PP}$  programming voltage for the internal EEPROM trim register is also supplied through the S1 pin.

**DATA Pin**

The DATA pin is the serial data in (SDI) function for setting the threshold of the voltage comparator.

The DATA pin contains an internal Schmitt trigger as part of its input to improve noise immunity. This pin has an internal pull-down device to provide a low level when the pin is left unconnected.

**CLK Pin**

The CLK pin is used to provide a clock used for loading and shifting data into the DATA pin. The data on the DATA pin is clocked into a shift register on the rising edge of the CLK pin signal. The data is transferred to the D/A Register on the eighth falling edge of the CLK pin. This protocol may be handled by the SPI or SIOP serial I/O function found on some MCU devices.

The CLK pin contains an internal Schmitt trigger as part of its input to improve noise immunity. The CLK pin has an internal pulldown device to provide a low level when the pin is left unconnected.

**Output Threshold Adjust**

The state of the OUT pin is driven by a voltage comparator whose output state depends on the level of the input voltage on the sample capacitor and the level of an adjustable 8-bit threshold voltage. The threshold is adjusted by shifting data bits into the D/A Register (DAR) via the DATA pin while clocking the CLK pin. The timing of this data is shown in Figure 6. Data is transferred into the serial shift register on the

rising edge of the CLK pin. On the falling edge of the 8th clock the data in the serial shift register is latched into the parallel DAR register. The DAR remains powered up whenever  $V_{DD}$  is present. The serial data is clocked into the DATA pin starting with the MSB first. This sequence of threshold select bits is shown in Table 2.

**Table 2. D/A Threshold Bit Assignments**

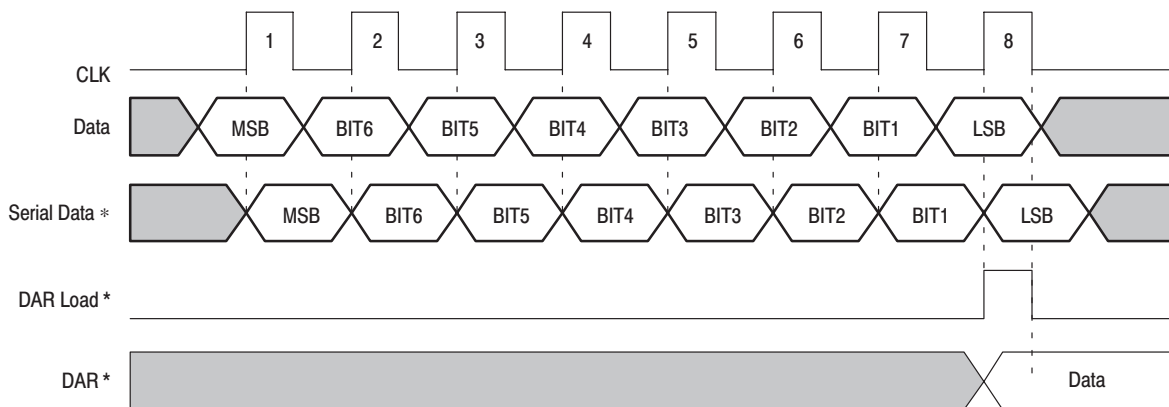
Function	Bit Weight	Data Bit
Voltage Comparator Threshold Adjust (8 bits)	LSB	1
		2
		4
		8
		16
		32
		64
	MSB	128
		D0
		D1
		D2
		D3
		D4
		D5
		D6
		D7

An analog to digital (A/D) conversion can be accomplished with eight (8) different threshold levels in a successive approximation algorithm; or the OUT pin can be set to trip at some alarm level. The voltage on the sample capacitor will maintain long enough for a single 8-bit conversion, but may need to be refreshed with a new measured reading if the read interval is longer than the specified hold time,  $t_{SH}$ .

The counter that determines the number of clock pulses into the device is reset whenever the device is placed into the Measure Pressure or Measure Temperature Modes. This provides a means to reset the data transfer count in case the

clock stream is corrupted during a transmission. In these two modes the DATA and CLK pins should not be clocked to reduce noise in the captured pressure or temperature data. Any change in the DAR contents should be done during the Standby or Output Read Modes.

Both the serial bit counter and the state of the DAR are undefined following power up of the device. The serial bit counter can be reset by cycling either the SO pin or the S1 pin to a high level and then back low. The DAR can then be reset to the lowest level by holding the DATA pin low while bursting the CLK pin with eight (8) clock pulses.



(\* ) Denotes Internal Signal

**Figure 6. Serial Data Timing**

**Pressure Sensor Output**

The pressure channel compares the output of its analog measurement circuit to the D/A reference voltage. The device is calibrated at two different nominal values depending on the calibration option.

**Temperature Sensor Output**

The temperature channel compares the output of a positive temperature coefficient (PTC) resistor driven by a switched current source. The current source is only active when the temperature channel is selected.

APPLICATIONS

Suggested application example is shown in Figure 7.

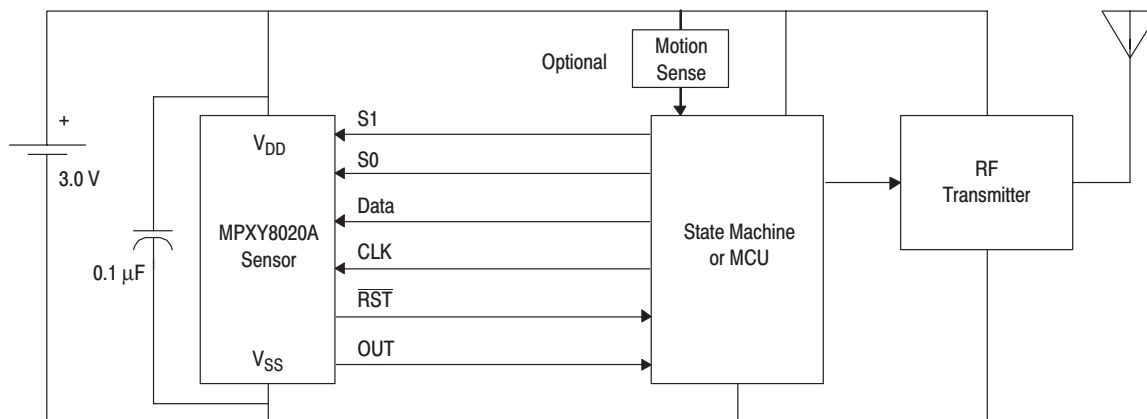


Figure 7. Application Example

ELECTRICAL SPECIFICATIONS

Maximum Ratings

Maximum ratings are the extreme limits to which the device can be exposed without permanently damaging it. The device contains circuitry to protect the inputs against damage from high static voltages; however, do not apply voltages higher than those shown in the table below. Keep  $V_{IN}$  and  $V_{OUT}$  within the range  $V_{SS} \leq (V_{IN} \text{ or } V_{OUT}) \leq V_{DD}$ .

Rating	Symbol	Value	Unit
Supply Voltage	$V_{DD}$	-0.3 to +4.0	V
Short Circuit Capability (all pins excluding $V_{DD}$ and $V_{SS}$ ) Maximum High Voltage for 5 minutes Minimum Low Voltage for 5 minutes	$V_{SC}$	$V_{DD}$	V
	$V_{SC}$	$V_{SS}$	V
Substrate Current Injection Current from any pin to $V_{SS} - 0.3$ VDC)	$I_{SUB}$	600	µA
Electrostatic Discharge Human Body Model (HBM) Charged Device Model (CDM) Machine Model (MM)	$V_{ESD}$	±1000	V
	$V_{ESD}$	±1000	V
	$V_{ESD}$	±200	V
Storage Temperature Range Standard Temperature Range	$T_{stg}$	-40 to +150	°C

**Operating Range**

The limits normally expected in the application which define range of operation.

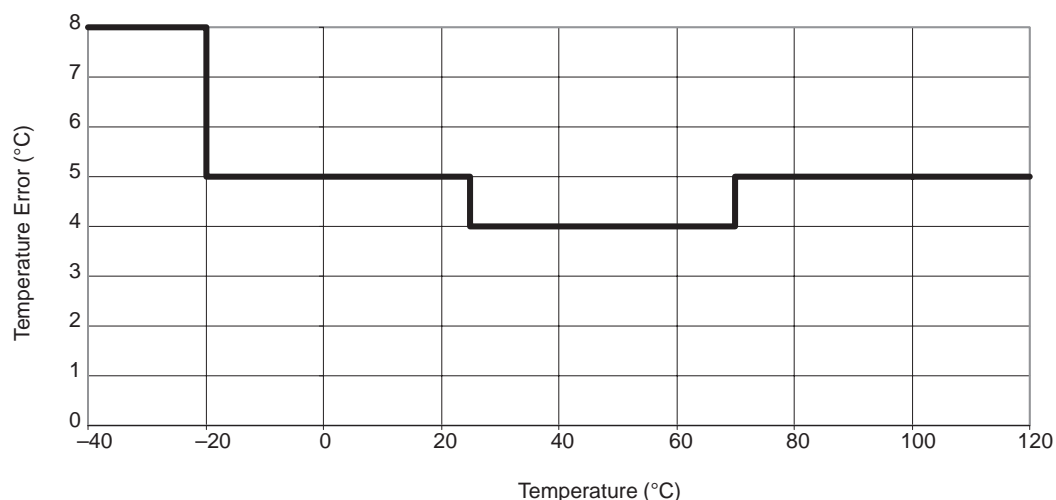
Characteristic	Symbol	Min	Typ	Max	Units
Supply Voltage	V <sub>DD</sub>	2.1	3.0	3.6	V
Operating Temperature Range Standard Temperature Range	T <sub>A</sub>	T <sub>L</sub> -40	—	T <sub>H</sub> +125	°C
Supply Current Drain					
<u>Standby Mode</u>					
-40°C to +85°C	I <sub>stby</sub>	—	0.6	0.9	μA
+85°C to +100°C	I <sub>stby</sub>	—	0.8	1.2	μA
+100°C to +125°C	I <sub>stby</sub>	—	1.5	2.2	μA
<u>Read Mode</u>					
-40°C to +125°C	I <sub>read</sub>	—	400	600	μA
<u>Measure Temperature Mode</u>					
-40°C to +125°C	I <sub>temp</sub>	—	400	600	μA
<u>Measure Pressure Mode</u>					
-40°C to +10°C	I <sub>press</sub>	—	1400	1800	μA
+10°C to +60°C	I <sub>press</sub>	—	1300	1700	μA
+60°C to +125°C	I <sub>press</sub>	—	1200	1700	μA

Freescale Semiconductor, Inc.

## Electrical Characteristics

+2.1 V ≤ V<sub>DD</sub> ≤ +3.6 V, T<sub>L</sub> ≤ T<sub>A</sub> ≤ T<sub>H</sub>, unless otherwise specified.

Characteristic	Symbol	Min	Typ	Max	Units
Output High Voltage DATA, OUT, RST (I <sub>Load</sub> = 100 μA)	V <sub>OH</sub>	V <sub>DD</sub> -0.8	—	—	V
Output Low Voltage DATA, OUT, RST (I <sub>Load</sub> = -100 μA)	V <sub>OL</sub>	—	—	0.4	V
Input High Voltage S1, S0, DATA, CLK	V <sub>IH</sub>	0.7 x V <sub>DD</sub>	—	—	V
Input Low Voltage S1, S0, DATA, CLK	V <sub>IL</sub>	V <sub>SS</sub>	—	0.3 x V <sub>DD</sub>	V
Input Hysteresis (V <sub>IH</sub> - V <sub>IL</sub> ) S1, S0, DATA, CLK	V <sub>HYS</sub>	100	200	—	mV
Input Low Current (at V <sub>IL</sub> ) S1, S0, DATA, CLK	I <sub>IL</sub>	-5	-25	-100	μA
Input High Current (at V <sub>IH</sub> ) S1, S0, DATA, CLK	I <sub>IH</sub>	-5	-35	-140	μA
Temperature Measurement (+2.5V ≤ V <sub>dd</sub> ≤ 3.0V)					
D/A Conversion Code at -40°C	T <sub>-40</sub>	36	42	47	counts
D/A Conversion Code at -20°C	T <sub>-20</sub>	52	57	62	counts
D/A Conversion Code at 25°C	T <sub>25</sub>	97	102	107	counts
D/A Conversion Code at 70°C	T <sub>70</sub>	155	163	171	counts
D/A Conversion Code at 100°C	T <sub>100</sub>	204	214	224	counts
D/A Conversion Code at 120°C	T <sub>120</sub>	241	252	255	counts
D/A Conversion Code at 125°C	T <sub>125</sub>	249	255	255	counts
Temperature Measurement (+2.1V ≤ V <sub>dd</sub> ≤ 3.6V)					
D/A Conversion Code at -40°C	T <sub>-40</sub>	36	42	49	counts
D/A Conversion Code at -20°C	T <sub>-20</sub>	52	57	64	counts
D/A Conversion Code at 25°C	T <sub>25</sub>	97	102	107	counts
D/A Conversion Code at 70°C	T <sub>70</sub>	154	163	172	counts
D/A Conversion Code at 100°C	T <sub>100</sub>	203	214	225	counts
D/A Conversion Code at 120°C	T <sub>120</sub>	240	252	255	counts
D/A Conversion Code at 125°C	T <sub>125</sub>	249	255	255	counts
Temperature Sensitivity at 25°C		—	0.80	—	°C/bit
Approximate Temperature Output Response	OUT = 74.7461 + 0.9752 x Ta + 0.0041 x Ta <sup>2</sup>				counts

Temperature Error vs. Temperature (V<sub>DD</sub> = 3 V)



**Control Timing**

+2.1 V ≤ V<sub>DD</sub> ≤ +3.6 V, T<sub>L</sub> ≤ T<sub>A</sub> ≤ T<sub>H</sub>, unless otherwise specified.

Characteristic	Symbol	Min	Typ	Max	Units
HFO Measurement Clock Frequency	f <sub>HF</sub>	100	135	150	kHz
LFO Wake Up Clock Frequency	f <sub>LF</sub>	3300	5400	8000	Hz
Ta = -40°C, +2.1V ≤ V <sub>DD</sub> ≤ +3.6	f <sub>LF</sub>	3900	5400	7700	Hz
Ta = +25°C, +2.1V ≤ V <sub>DD</sub> ≤ +3.6	f <sub>LF</sub>	3800	5300	7000	Hz
Wake Up Pulse	t <sub>WAKE</sub>	—	16384	—	LFO clocks
Pulse Timing	t <sub>WPW</sub>	—	2	—	LFO clocks
Reset Pulse	t <sub>RESET</sub>	—	16,777,216	—	LFO clocks
Pulse Timing	t <sub>RPW</sub>	—	2	—	LFO clocks
Pulse Width					
Minimum Setup Time (DATA edge to CLK rise)	t <sub>SETUP</sub>	100	—	—	nSec
Minimum Hold Time (CLK rise to DATA change)	t <sub>HOLD</sub>	100	—	—	nSec
Measurement Response Time					
Recommended time to hold device in measurement mode					
Temperature	t <sub>TMEAS</sub>	—	200	—	μSec
Pressure	t <sub>PMEAS</sub>	—	500	—	μSec
Read Response Time (see Figure 8)					
From 90% V <sub>DD</sub> on S0	t <sub>READ</sub>	—	50	100	μSec
To OUT less than V <sub>OL</sub> or greater than V <sub>OH</sub>					
Sample Capacitor Discharge Time					
From initial full scale D/A count (255)	t <sub>SH</sub>	20	—	—	mSec
to drop 2 counts (253)					

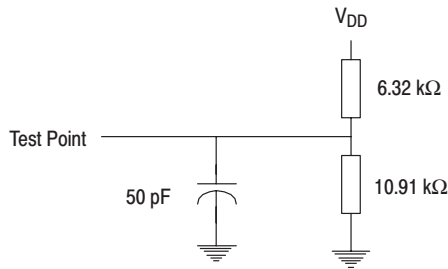


Figure 8. Control Timing Test Load for OUT and  $\overline{RST}$  Pins

## SENSOR CHARACTERISTICS (MPXY8020A)

## Pressure Transfer Function

$$\text{kPa} = 2.5 \times \text{Output} \pm (\text{Pressure Error})$$

Output = 8-bit digital pressure measurement (between 0–255)

Pressure Error ( $\pm$ kPa): 50 kPa  $\leq$  P < 250 kPa

T[°C] \ V <sub>DD</sub> [V]	2.1	2.5	2.7	3.0	3.3	3.6
–40	72.5	72.5	32.5	32.5	32.5	35.0
–20	57.5	57.5	25.0	25.0	25.0	27.5
0	57.5	57.5	25.0	25.0	25.0	27.5
25	57.5	57.5	25.0	25.0	25.0	27.5
70	57.5	57.5	27.5	25.0	25.0	27.5
100	72.5	72.5	37.5	37.5	37.5	37.5
125	95.0	92.5	57.5	47.5	47.5	47.5

Pressure Error ( $\pm$ kPa): 250 kPa  $\leq$  P  $\leq$  450 kPa

T[°C] \ V <sub>DD</sub> [V]	2.1	2.5	2.7	3.0	3.3	3.6
–40	40.0	40.0	25.0	25.0	25.0	30.0
–20	32.5	25.0	15.0	15.0	15.0	20.0
0	30.0	25.0	10.0	10.0	10.0	15.0
25	30.0	25.0	7.5	7.5	7.5	15.0
70	35.0	25.0	10.0	7.5	7.5	15.0
100	40.0	40.0	25.0	25.0	25.0	30.0
125	62.5	60.0	35.0	35.0	35.0	35.0

Pressure Error ( $\pm$ kPa): 450 kPa < P  $\leq$  600 kPa

T[°C] \ V <sub>DD</sub> [V]	2.1	2.5	2.7	3.0	3.3	3.6
–40	70.0	70.0	37.5	37.5	37.5	40.0
–20	55.0	55.0	25.0	25.0	25.0	35.0
0	55.0	55.0	22.5	22.5	22.5	35.0
25	55.0	55.0	22.5	22.5	22.5	35.0
70	55.0	55.0	25.0	25.0	25.0	35.0
100	70.0	70.0	32.5	32.5	32.5	40.0
125	90.0	90.0	47.5	47.5	47.5	52.5

Areas marked in grey indicate the typical operating range.

SENSOR CHARACTERISTICS (MPXY8020A)

Pressure Error

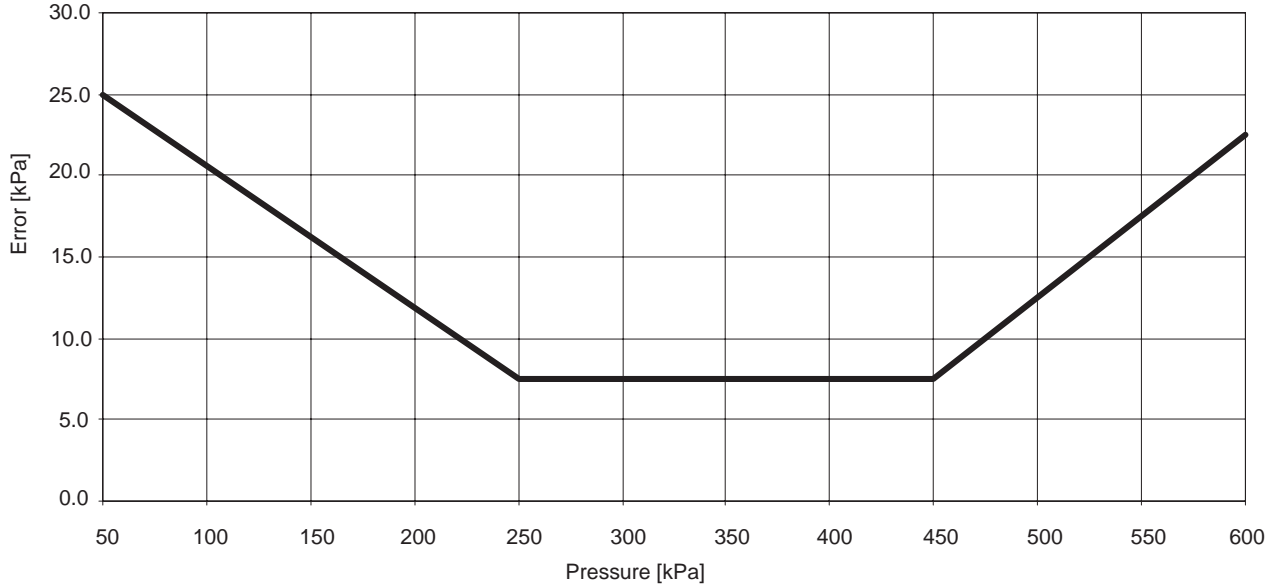


Figure 9. Pressure Error vs Pressure at T= 25°C, 2.7 ≤ V<sub>DD</sub> ≤ +3.3 V

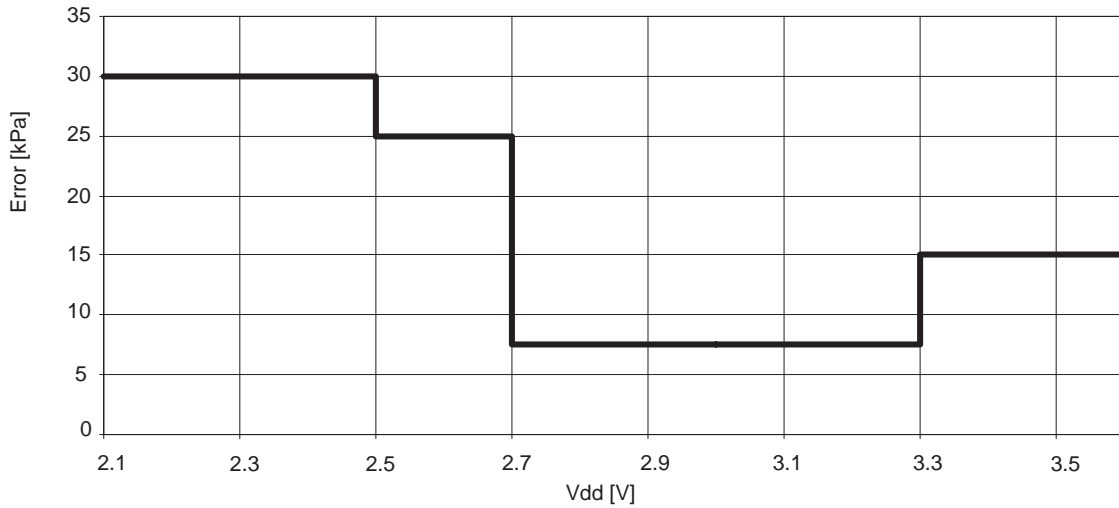


Figure 10. Pressure Error vs V<sub>DD</sub> at 25°C, 250 kPa ≤ P ≤ 450 kPa

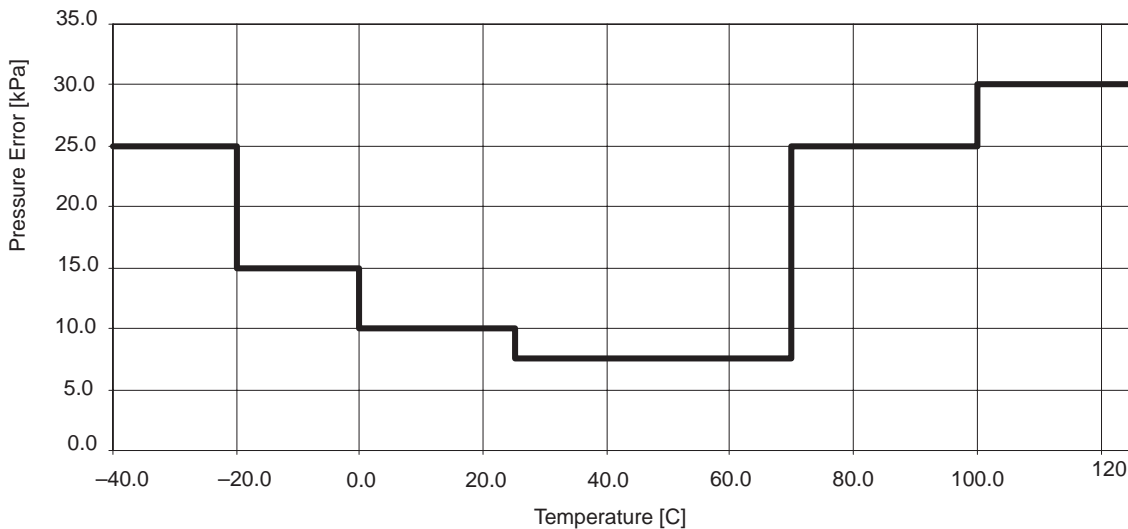


Figure 11. Pressure Error vs. Temperature at V<sub>DD</sub> = 3 V, 250 kPa ≤ P ≤ 450 kPa

**MECHANICAL SPECIFICATIONS****Maximum Ratings**

Maximum ratings are the extreme limits to which the device can be exposed without permanently damaging it. Keep  $V_{IN}$  and  $V_{OUT}$  within the range  $V_{SS} \leq (V_{IN} \text{ or } V_{OUT}) \leq V_{DD}$ .

Rating	Symbol	Value	Unit
Maximum Pressure <sup>(1)</sup>	$P_{max}$	1400	kPa <sup>(1)</sup>
Centrifugal Force Effects (3 axis) Pressure measurement change less than 1% FSS	$g_{CENT}$	2000	g
Unpowered Shock (three sides, 0.5 mSec duration)	$g_{shock}$	2000	g

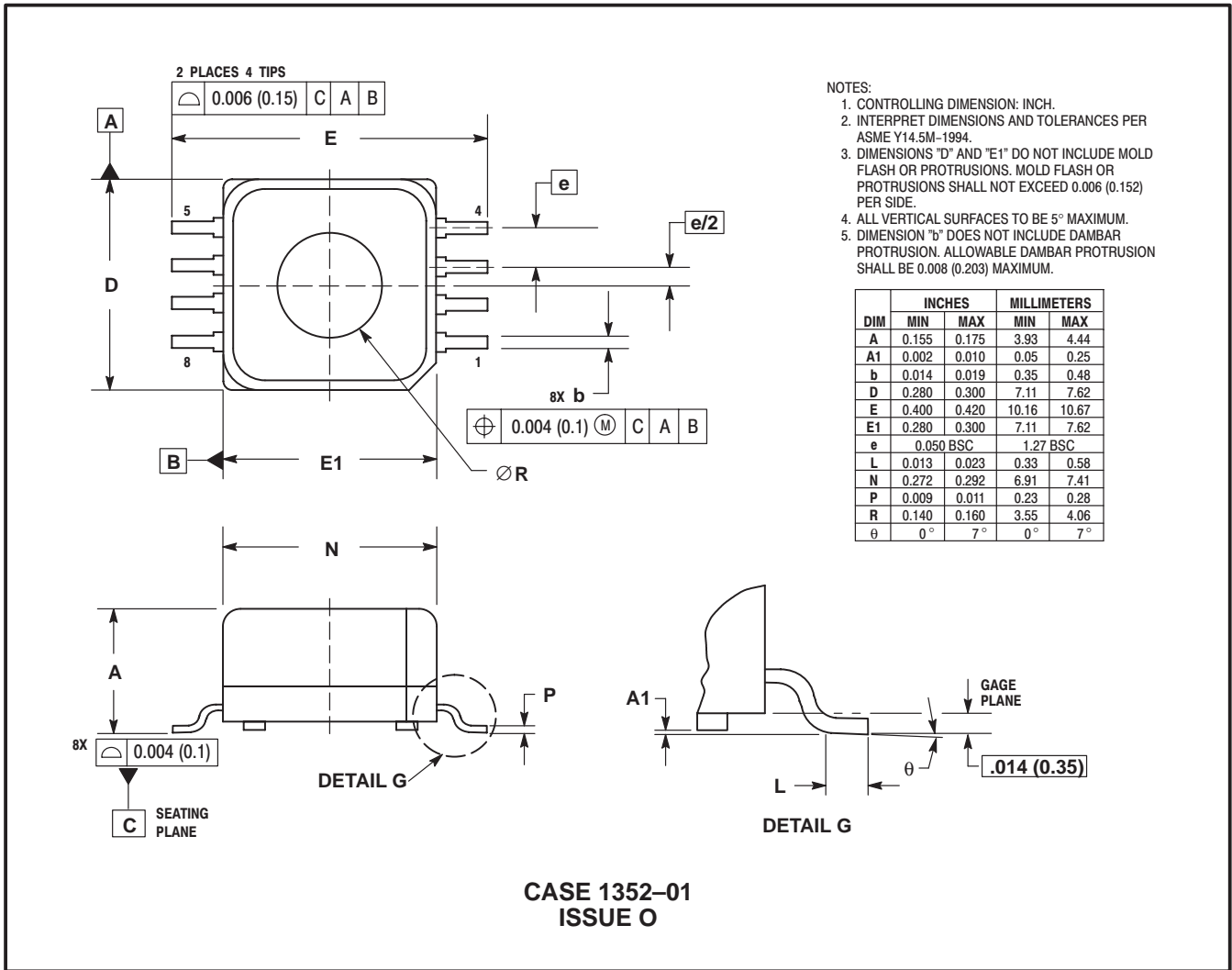
## NOTES:

1. Tested for 5 min at 25°C

**Media Compatibility**

Media compatibility is as specified in Motorola document "SPD TPM Media Test."

PACKAGE DIMENSIONS



Freescale Semiconductor, Inc.

NOTES

**NOTES**

**Freescale Semiconductor, Inc.**

Information in this document is provided solely to enable system and software implementers to use Motorola products. There are no express or implied copyright licenses granted hereunder to design or fabricate any integrated circuits or integrated circuits based on the information in this document.

Motorola reserves the right to make changes without further notice to any products herein. Motorola makes no warranty, representation or guarantee regarding the suitability of its products for any particular purpose, nor does Motorola assume any liability arising out of the application or use of any product or circuit, and specifically disclaims any and all liability, including without limitation consequential or incidental damages. "Typical" parameters that may be provided in Motorola data sheets and/or specifications can and do vary in different applications and actual performance may vary over time. All operating parameters, including "Typicals", must be validated for each customer application by customer's technical experts. Motorola does not convey any license under its patent rights nor the rights of others. Motorola products are not designed, intended, or authorized for use as components in systems intended for surgical implant into the body, or other applications intended to support or sustain life, or for any other application in which the failure of the Motorola product could create a situation where personal injury or death may occur. Should Buyer purchase or use Motorola products for any such unintended or unauthorized application, Buyer shall indemnify and hold Motorola and its officers, employees, subsidiaries, affiliates, and distributors harmless against all claims, costs, damages, and expenses, and reasonable attorney fees arising out of, directly or indirectly, any claim of personal injury or death associated with such unintended or unauthorized use, even if such claim alleges that Motorola was negligent regarding the design or manufacture of the part.

MOTOROLA and the Stylized M Logo are registered in the US Patent and Trademark Office. All other product or service names are the property of their respective owners. Motorola, Inc. is an Equal Opportunity/Affirmative Action Employer.

© Motorola Inc. 2003

#### HOW TO REACH US:

##### USA/EUROPE/LOCATIONS NOT LISTED:

Motorola Literature Distribution  
P.O. Box 5405, Denver, Colorado 80217  
1-800-521-6274 or 480-768-2130

**JAPAN:** Motorola Japan Ltd.; SPS, Technical Information Center,  
3-20-1, Minami-Azabu, Minato-ku, Tokyo 106-8573, Japan  
81-3-3440-3569

**ASIA/PACIFIC:** Motorola Semiconductors H.K. Ltd.; Silicon Harbour Centre,  
2 Dai King Street, Tai Po Industrial Estate, Tai Po, N.T., Hong Kong  
852-26668334

**HOME PAGE:** <http://motorola.com/semiconductors>



**MOTOROLA**

**For More Information On This Product,  
Go to: [www.freescale.com](http://www.freescale.com)**

MPXY8020A/D