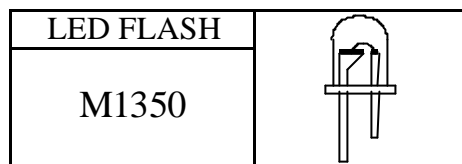




SYNC
RGB LED IC

同步
三色燈 LED IC



FEATURES 功能敘述

- SW0 ~ SW2 : 8 start address (8 燈起始色選擇).
- PS0 ~ PS3 : 4 options control independent pattern (4 種變化選擇).
- SP : Speed select (速度選擇).
- SP=OPEN : 快速.
- SP=VSS : 慢速.

P/N	起始位址	FUNCTION
M1350A	8 種	同步同色跳閃+同步同色順序跳閃+ 同步同色反向跳閃+七彩漸明漸暗
M1350B	8 種	同步同色跳閃+同步 8 色順序跳閃 +同步 8 色反向跳閃+七彩漸明漸暗(飄)

- Power-on while automatic synchronous an LEDs.
- Can be cascaded in daisy chain fashion in wave of the different color.

APPLICATION 產品應用

LED color mixer lamp etc..

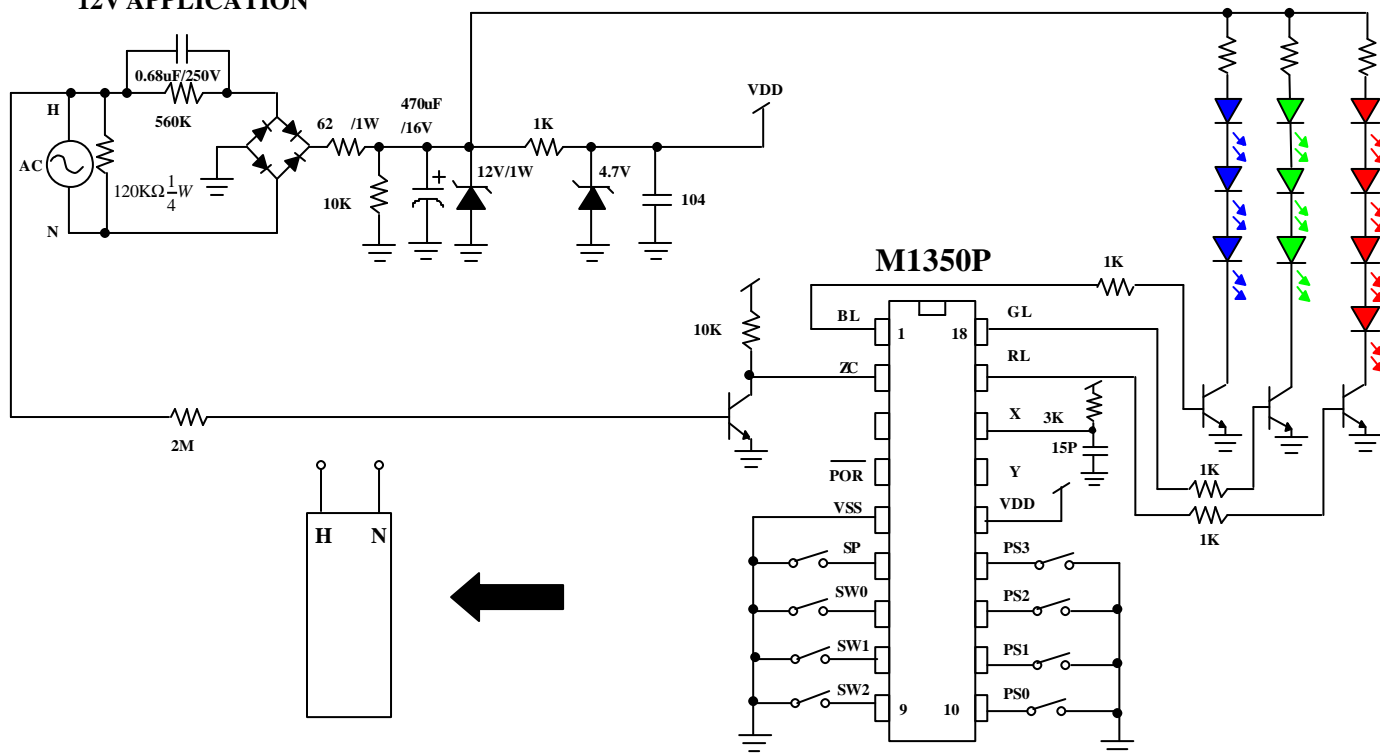
ELECTRICAL CHARACTERISTICS 電氣規格

(@ $V_{DD}=4.5V$ unless otherwise specified)

Characteristics	Sym.	Min.	Typ.	Max.	Unit	REMARKS
工作電壓 Operating Voltage	V_{DD}	2.4	4.5	6	V	
工作電流 Operating Current	I_{OP}		0.5		mA	No load
推動電流 Driving Sink Current	I_{OL}	15			mA	@ $V_{DS} = 1.2 V$
推動電流 Driving Source Current	I_{Oh}	20			mA	@ $V_{SD} = 1.2 V$
振盪頻率 Oscillator Frequency	F_{LED}		6.0		MHz	$\pm 30\%$ TOL.
工作溫度 Operating Temperature	Temp.	0	25	70		

APPLICATION DIAGRAM 參考電路圖

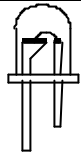
— 12V APPLICATION



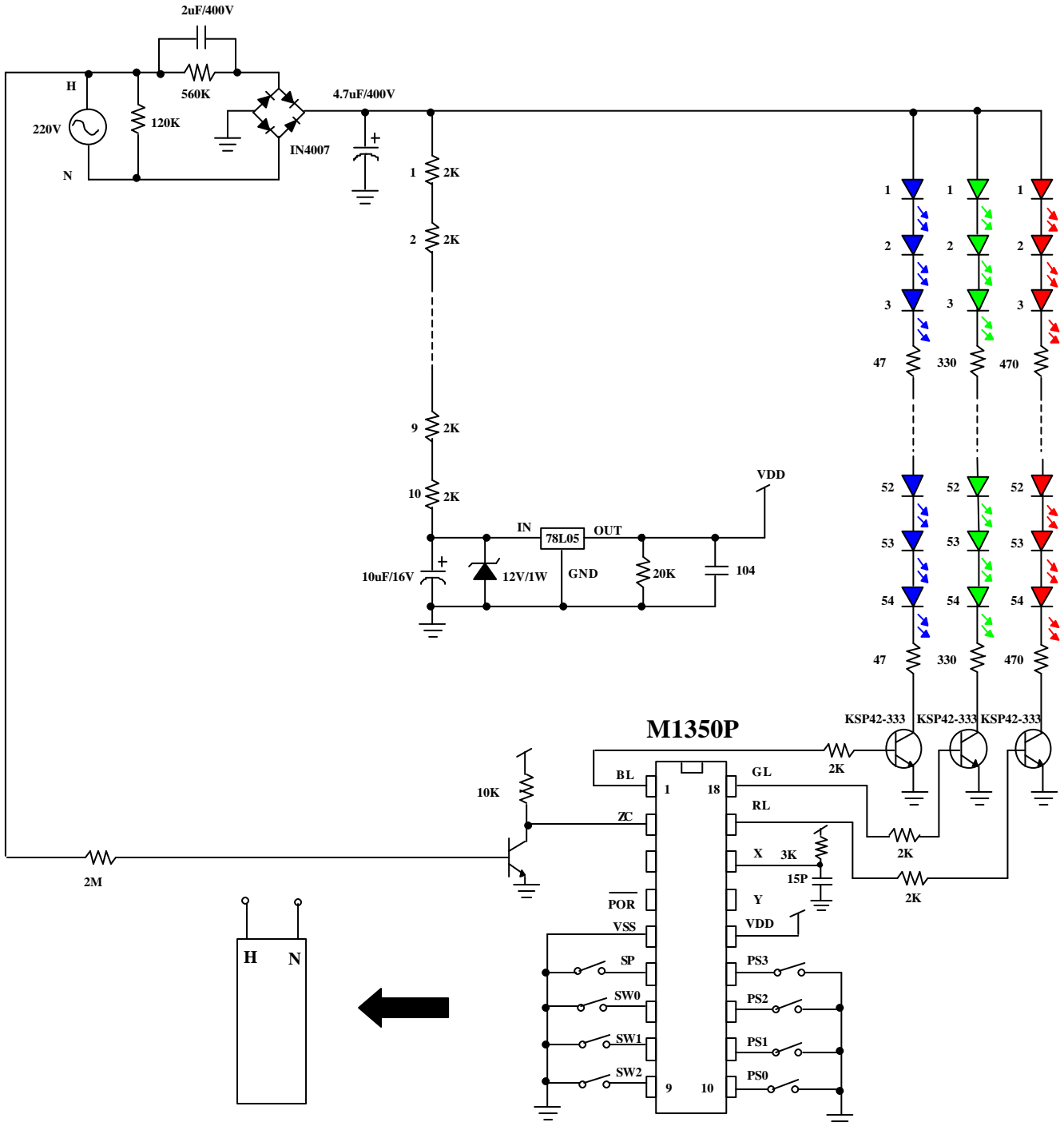


SYNC
RGB LED IC

同步
三色燈 LED IC

LED FLASH	
M1350	

二 162 LEDs APPLICATION

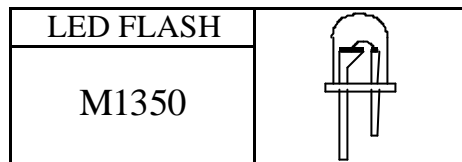


*All specs and applications shown above subject to change without prior notice.
(以上電路及規格僅供參考,本公司得逕行修正)



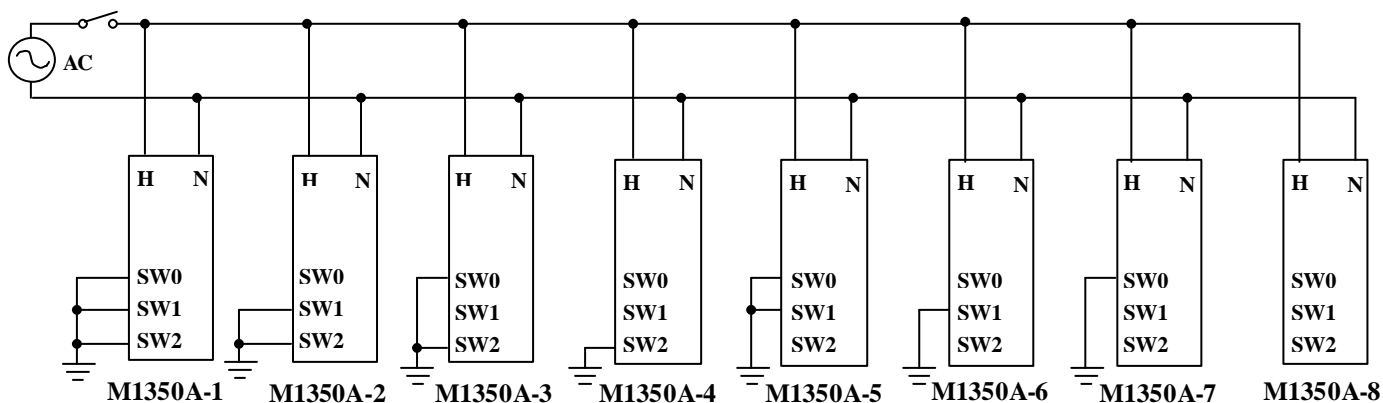
SYNC
RGB LED IC

同步
三色燈 LED IC



* M1350A : 同步同色跳閃+同步同色順序跳閃+同步同色反向跳閃+七彩漸明漸暗

P/N	MODE	SW2	SW1	SW0
M1350A-1	1	VSS	VSS	VSS
M1350A-2	2	VSS	VSS	X
M1350A-3	3	VSS	X	VSS
M1350A-4	4	VSS	X	X
M1350A-5	5	X	VSS	VSS
M1350A-6	6	X	VSS	X
M1350A-7	7	X	X	VSS
M1350A-8	8	X	X	X



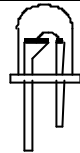
PATTERN 1 : 同步同色跳閃 (快速 : 4 SEC 慢速 : 8 SEC at AC 60Hz)

1	●	●	●	●	●	●	●	○
2	●	●	●	●	●	●	●	○
3	●	●	●	●	●	●	●	○
4	●	●	●	●	●	●	●	○
5	●	●	●	●	●	●	●	○
6	●	●	●	●	●	●	●	○
7	●	●	●	●	●	●	●	○
8	●	●	●	●	●	●	●	○



SYNC
RGB LED IC

同步
三色燈 LED IC

LED FLASH	
M1350	

PATTERN 2 : 同步同色順序跳閃 (快速 : 4 SEC 慢速 : 8 SEC at AC 60Hz)

1	●	●	●	●	●	●	●	○
2		●	●	●	●	●	●	○
3			●	●	●	●	●	○
4				●	●	●	●	○
5					●	●	●	○
6						●	●	○
7							●	○
8								○

PATTERN 3 : 同步同色反向跳閃 (快速 : 4 SEC 慢速 : 8 SEC at AC 60Hz)

1								●
2							●	●
3						●	●	●
4				●	●	●	●	●
5				●	●	●	●	●
6			●	●	●	●	●	●
7		●	●	●	●	●	●	●
8	○	●	●	●	●	●	●	●

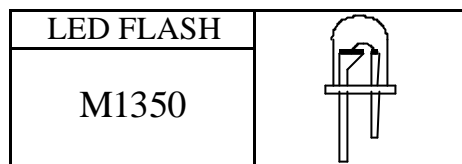
PATTERN 4 : 七彩漸明漸暗 (快速 : 7.5 SEC 慢速 : 15 SEC at AC 60Hz)

1	●	●	●	●	●	●	○
2	●	●	●	●	●	●	○
3	●	●	●	●	●	●	○
4	●	●	●	●	●	●	○
5	●	●	●	●	●	●	○
6	●	●	●	●	●	●	○
7	●	●	●	●	●	●	○
8	●	●	●	●	●	●	○



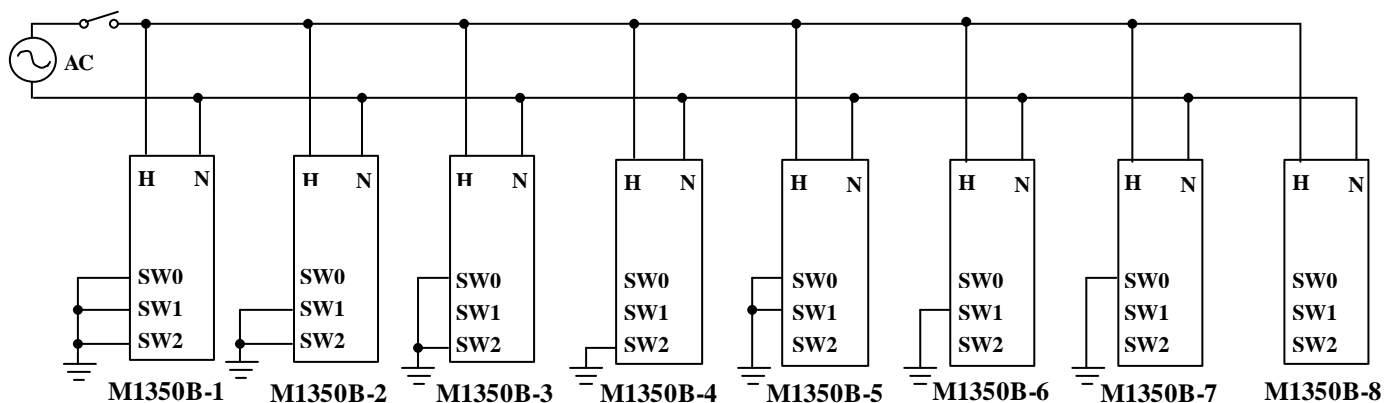
SYNC
RGB LED IC

同步
三色燈 LED IC



* M1350B : 同步同色跳閃+同步 8 色順序跳閃+同步 8 色反向跳閃+七彩漸明漸暗(飄)

P/N	MODE	SW2	SW1	SW0
M1350B-1	1	VSS	VSS	VSS
M1350B-2	2	VSS	VSS	X
M1350B-3	3	VSS	X	VSS
M1350B-4	4	VSS	X	X
M1350B-5	5	X	VSS	VSS
M1350B-6	6	X	VSS	X
M1350B-7	7	X	X	VSS
M1350B-8	8	X	X	X



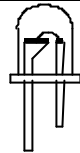
PATTERN 1 : 同步同色跳閃 (快速 : 4 SEC 慢速 : 8 SEC at AC 60Hz)

1	●	●	●	●	●	●	●	○
2	●	●	●	●	●	●	●	○
3	●	●	●	●	●	●	●	○
4	●	●	●	●	●	●	●	○
5	●	●	●	●	●	●	●	○
6	●	●	●	●	●	●	●	○
7	●	●	●	●	●	●	●	○
8	●	●	●	●	●	●	●	○



SYNC
RGB LED IC

同步
三色燈 LED IC

LED FLASH	
M1350	

PATTERN 2 : 同步 8 色順序跳閃 (快速 : 4 SEC 慢速 : 8 SEC at AC 60Hz)

1	●	●	●	●	●	●	●	●
2		●	●	●	●	●	●	●
3			●	●	●	●	●	●
4				●	●	●	●	●
5					●	●	●	●
6						●	●	●
7							●	●
8								●

PATTERN 3 : 同步 8 色反向跳閃 (快速 : 4 SEC 慢速 : 8 SEC at AC 60Hz)

1								●
2							●	●
3						●	●	●
4					●	●	●	●
5				●	●	●	●	●
6			●	●	●	●	●	●
7		●	●	●	●	●	●	●
8	●	●	●	●	●	●	●	●

PATTERN 4 : 七彩漸明漸暗(飄) (快速 : 7.5 SEC 慢速 : 15 SEC at AC 60Hz)

1	●	●	●	●	●	●	●
2	○	●	●	●	●	●	●
3	●	○	●	●	●	●	●
4	●	●	○	●	●	●	●
5	●	●	●	○	●	●	●
6	●	●	●	●	○	●	●
7	●	●	●	●	●	○	●
8	●	●	●	●	●	●	○