

# AN278

## FM IF Amplifier Circuit

### ■ Description

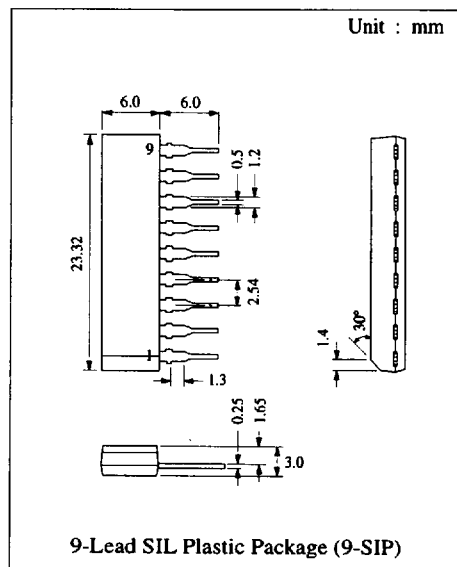
The AN278 is a monolithic integrated circuit designed for FM IF Amplifier Circuit suitable in Hi-Fi, Car Stereo and TV.

### ■ Features

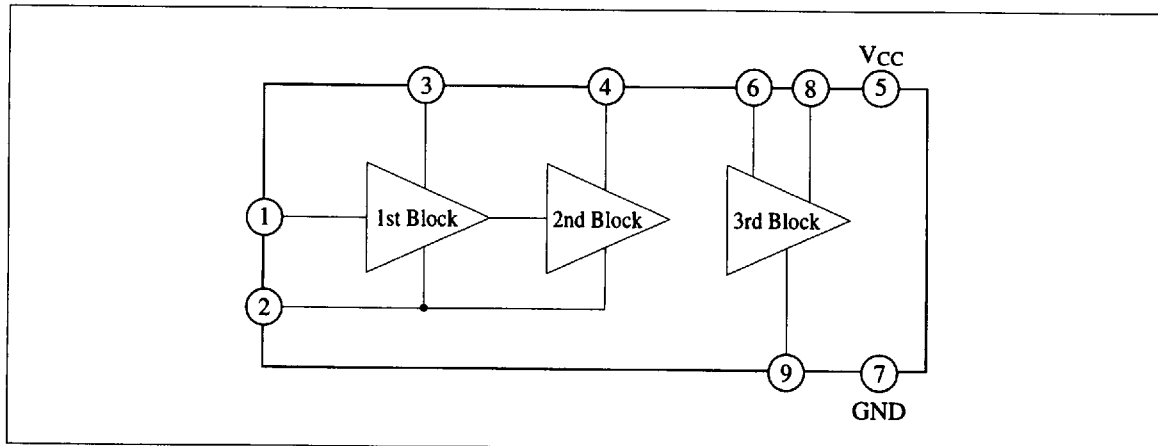
- Uniformity in limiter levels and symmetry in characteristics
- Suitable for 2nd and 3rd stage direct coupling, and connection with ceramic filters is possible
- Limiter level sufficient for PLL multiplex operation
- Level meter circuit can be connected
- Compact 9-lead single-in-line package

### ■ Pin

Pin No.	Pin Name
1	FM 1st IF input
2	By-pass
3	Level Output
4	FM 2nd IF Input
5	V <sub>cc</sub>
6	FM 3rd IF Input
7	GND
8	FM 3rd IF Output
9	By-pass



### ■ Block Diagram



## ■ Absolute Maximum Ratings ( $T_a=25^\circ\text{C}$ )

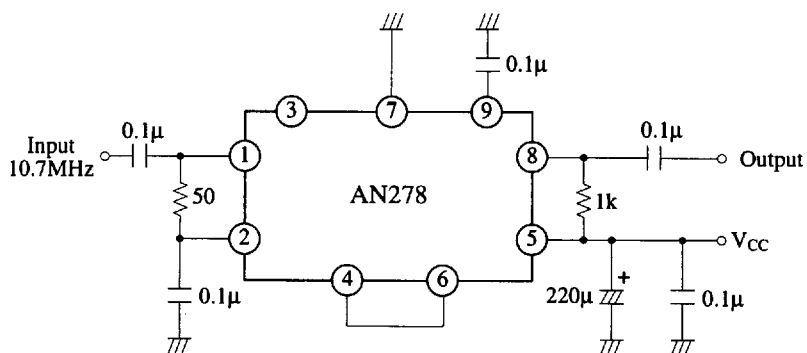
Item	Symbol	Rating	Unit
Supply Voltage	$V_{CC}$	12	V
Supply Current	$I_{CC}$	22	mA
Power Dissipation ( $T_a \leq 75^\circ\text{C}$ )	$P_D$	270	mW
Operating Ambient Temperature	$T_{opr}$	-20 ~ +75	$^\circ\text{C}$
Storage Temperature	$T_{stg}$	-55 ~ +125	$^\circ\text{C}$

Operating Supply Voltage Range:  $V_{CC} = 6.0\text{V} \sim 12.0\text{V}$

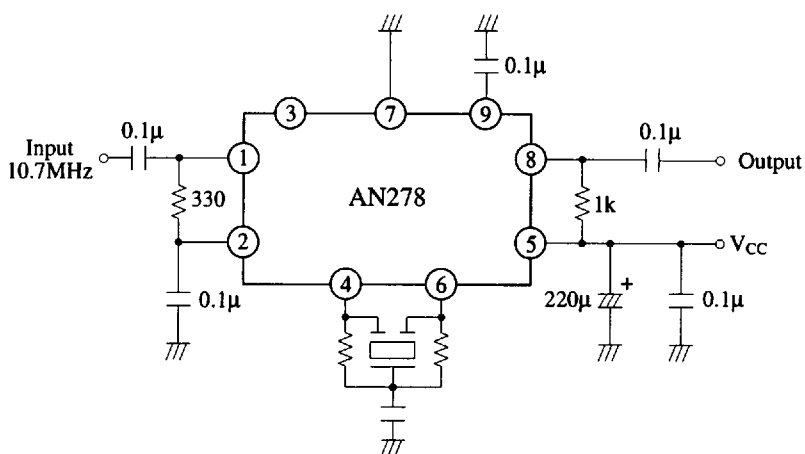
## ■ Electrical Characteristics ( $V_{CC}=9\text{V}$ , $T_a=25^\circ\text{C}$ )

Item	Symbol	Condition	min.	typ.	max.	Unit
Total Circuit Current	$I_{tot}$	$V_{in} = 0\text{mV}$	8	10.5	12.9	mA
Output Current	$I_o$	$V_{in} = 0\text{mV}$	1.9	2.4	2.9	mA
Voltage Gain	$G_v$	$V_{in} = 40\text{dB}\mu$ , $f = 10.7\text{MHz}$	72.5	75.0	77.5	dB
Output Voltage	$V_o$	$V_{in} = 80\text{dB}\mu$	0.9	1.1		V

## Test Circuit



## ■ Application Circuit



■ Characteristics Curve

