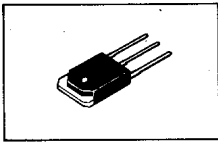


No.1397

2SC3482



NPN Triple Diffused Planar Type Silicon Transistor
 FOR HIGH DEFINITION CRT DISPLAY HORIZONTAL
 DEFLECTION OUTPUT APPLICATIONS
 (BUILT-IN DAMPER DIODE)

Features:

- High breakdown voltage and high reliability
- High switching speed: $t_f=0.3\mu s$ max.
- Capable of being mounted easily due to one-point fixing type plastic mold package

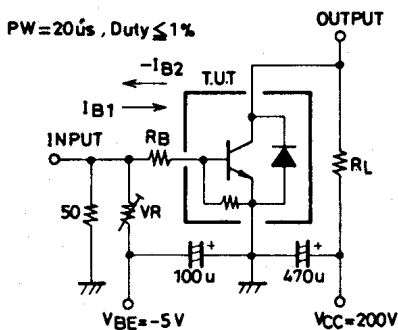
Absolute Maximum Ratings at $T_a=25^\circ C$

			unit
Collector to Base Voltage	VCBO	1500	V
Collector to Emitter Voltage	VCEO	800	V
Emitter to Base Voltage	VEBO	7	V
Collector Current	IC	6	A
Peak Collector Current	icp	16	A
Collector Dissipation	PC	Tc=25°C	120 W
Junction Temperature	Tj	150	°C
Storage Temperature	Tstg	-55 to +150	°C

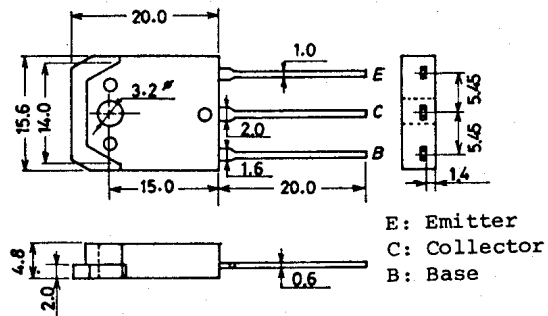
Electrical Characteristics at $T_a=25^\circ C$

			min	typ	max	unit
Collector Cutoff Current	ICBO	ICB=800V, IE=0			10	uA
Emitter Cutoff Current	IEBO	VEB=4V, IC=0	40		130	mA
DC Current Gain	hFE	VCE=5V, IC=1A	8			
Gain Bandwidth Product	fT	VCE=10V, IC=1A		3		MHz
C-E Saturation Voltage	VCE(sat)	IC=5A, IB=1.2A			5	V
B-E Saturation Voltage	VBE(sat)	IC=5A, IB=1.2A			1.5	V
C-B Breakdown Voltage	V(BR)CBO	IC=5mA, IE=0	1500			V
C-E Breakdown Voltage	V(BR)CEO	IC=5mA, RBE=∞	800			V
E-B Breakdown Voltage	V(BR)EBO	IE=200mA, IC=0	7			V
Diode Forward Voltage	VF	IEC=6A			2	V
Storage Time	tstg	[IC=5A, IB1=1A, IB2=-2A, VCC=200V, RL=40ohm]			3.0	us
Fall Time	tf				0.3	us

Switching Time Test Circuit



**Case Outline 2022
 (unit:mm)**



E: Emitter
 C: Collector
 B: Base

This datasheet has been downloaded from:

www.DatasheetCatalog.com

Datasheets for electronic components.