

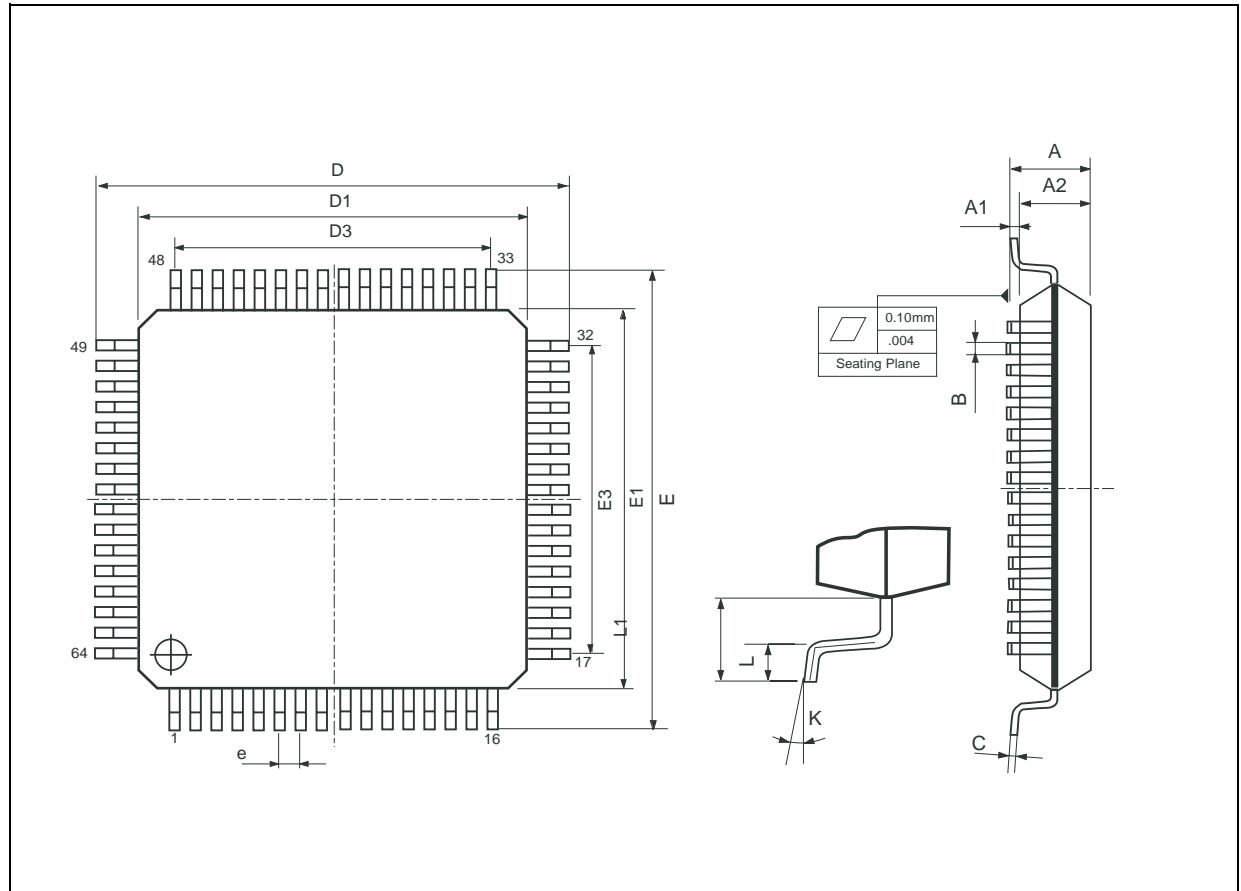
DIMENSIONS						
REF.	mm			inch		
	MIN.	TYP.	MAX.	MIN.	TYP.	MAX.
A			1.6			0.063
A1	0.05		0.15	0.002		0.006
A2	1.35	1.40	1.45	0.053	0.055	0.057
B	0.17	0.22	0.27	0.007	0.009	0.011
C	0.09		0.20	0.004		0.008
D	11.80	12.00	12.20	0.465	0.472	0.480
D1	9.80	10.00	10.20	0.386	0.394	0.402
D3		7.50			0.295	
E	11.80	12.00	12.20	0.465	0.472	0.480
E1	9.80	10.00	10.20	0.386	0.394	0.402
E3		7.50			0.295	
e		0.50			0.020	
L	0.45	0.60	0.75	0.018	0.024	0.030
L1		1.00			0.039	
K	0°	3.5°	7°	0°	3.5°	7°



64-LEAD THIN QUAD FLAT PACKAGE

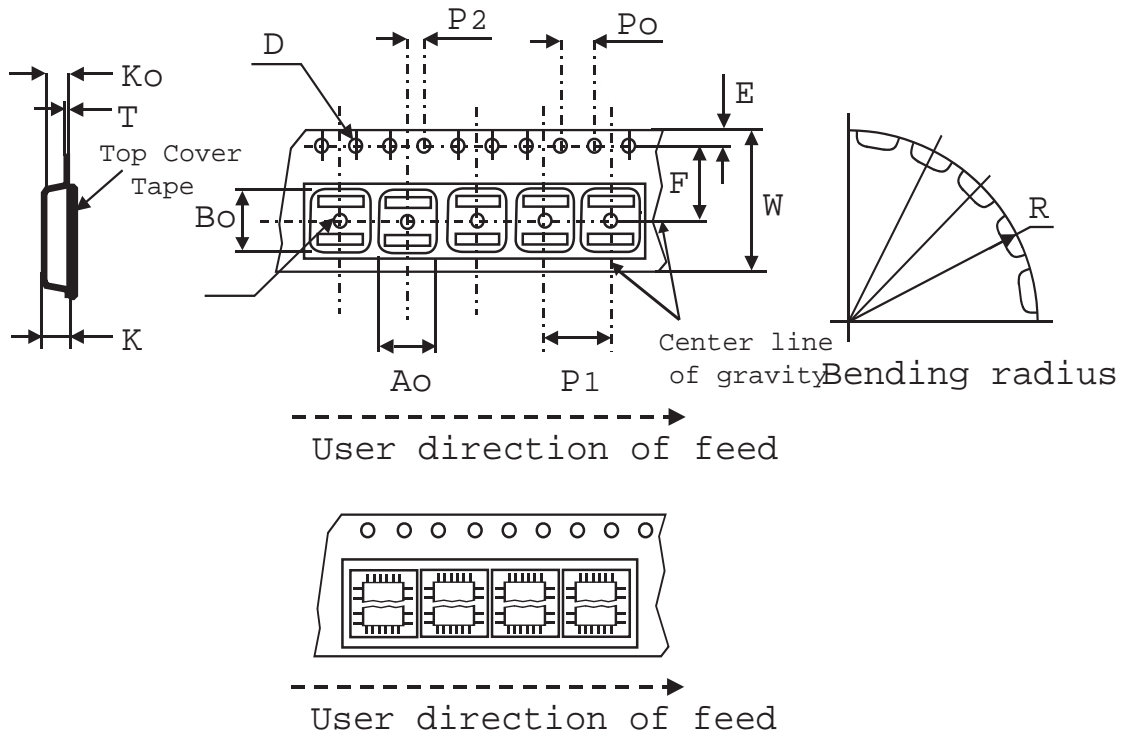
Weight: not available

TQFP64



TAPE & REEL SHIPMENT INFORMATION

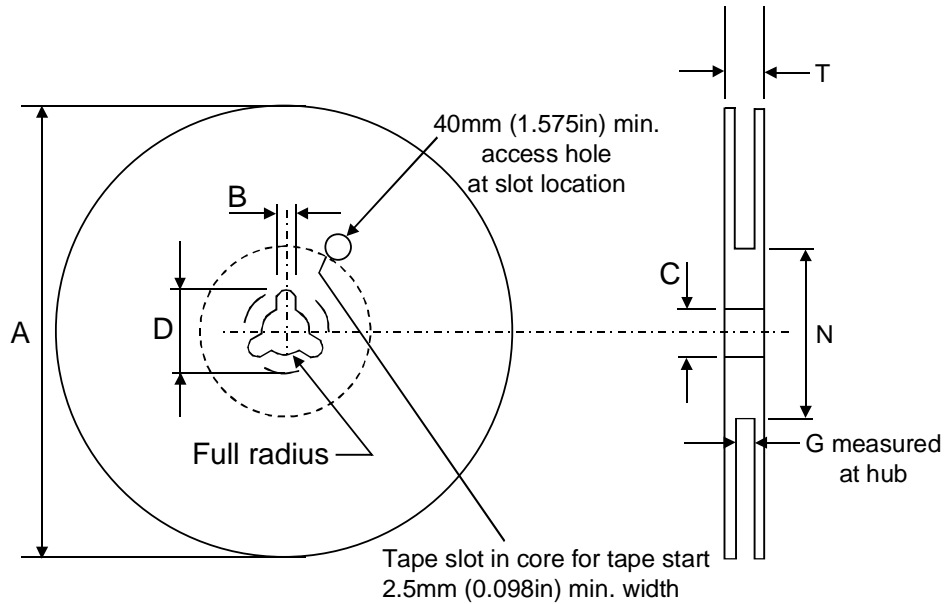
TAPE SPECIFICATIONS



TAPE MECHANICAL DATA		
	mm.	inch
D	1.50 +0.1/0	0.059 +0.004/0
E	1.75 ±0.1	0.069 ±0.004
Po	4.00 ±0.1	0.157 ±0.004
T max.	0.40	0.016
D1 min.	1.50	0.059
F	11.5 ±0.05	0.453 ±0.002
K max.	6.50	0.256
P2	2.00 ±0.05	0.079 ±0.002
R	50	1.968
W	24.00 ±0.30	0.915 ±0.012
P1	16.00	0.623
Ao, Bo, Ko	0.05 min to 0.90 max.	0.002 min to 0.035 max.

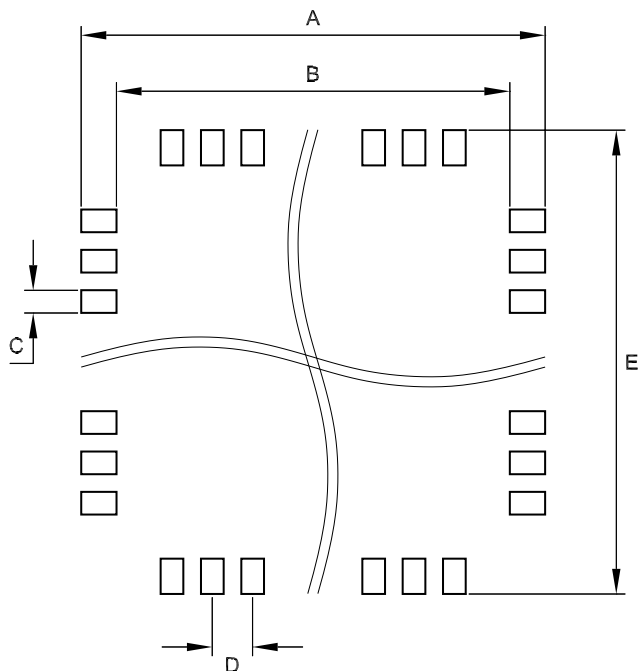
BASE QUANTITY	1000 pcs.
BULK QUANTITY	1000 pcs.

TAPE & REEL SHIPMENT INFORMATION
REEL SPECIFICATIONS



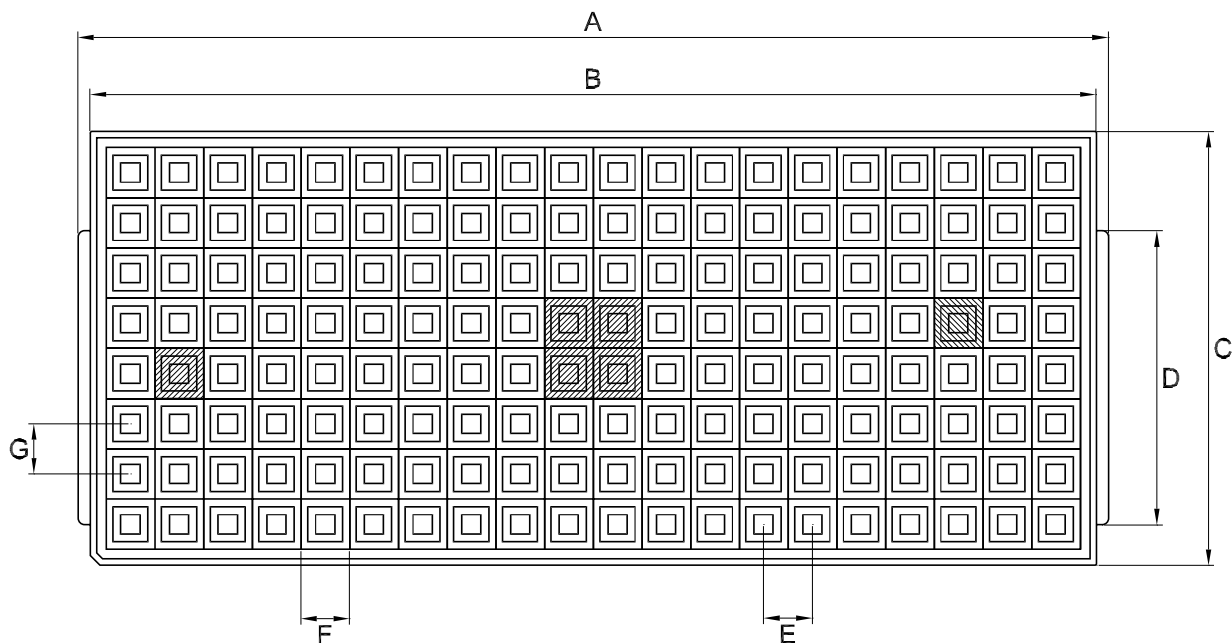
REEL MECHANICAL DATA		
	mm.	inch
Tape size	24.0 ±0.30	0.915 ±0.012
A max.	330.0	12.992
B min.	1.5	0.059
C	13.0 ±0.20	0.512 ±0.008
D min.	20.2	0.795
N min.	60	2.362
G	24.4 +2/-0	0.961 +0.079/-0
T max.	30.4	1.197

FOOTPRINT RECOMMENDED DATA



FOOTPRINT DATA		
	mm.	inch
A	12.60	0.496
B	11.00	0.433
C	0.32	0.012
D	0.50	0.017
E	12.60	0.496

TRAY SHIPMENT INFORMATION



TRAY DATA		
	mm.	inch
A	322.6	12.700
B	315.0 ±0.10	12.402 ±0.004
C	135.9 ±0.10	5.350 ±0.004
D	92.1 ±0.10	3.626 ±0.004
E	15.3 ±0.10	0.602 ±0.004
F	15.3 ±0.10	0.602 ±0.004
G	15.3 ±0.10	0.602 ±0.004

BASE QUANTITY	160 pcs.
BULK QUANTITY	960 pcs.