

# MA2Z371

## Silicon epitaxial planar type

For CATV tuner

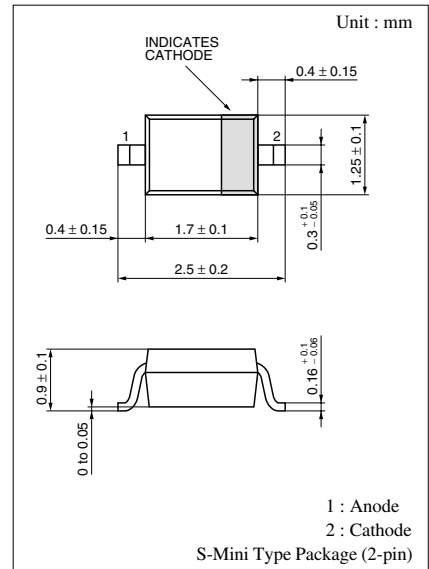
### ■ Features

- Large capacitance ratio
- S-mini type package, allowing downsizing of equipment and automatic insertion through the taping package

### ■ Absolute Maximum Ratings $T_a = 25^\circ\text{C}$

Parameter	Symbol	Rating	Unit
Reverse voltage (DC)	$V_R$	32	V
Peak reverse voltage*	$V_{RM}$	35	V
Forward voltage (DC)	$I_F$	20	mA
Junction temperature	$T_j$	150	$^\circ\text{C}$
Storage temperature	$T_{stg}$	-55 to +150	$^\circ\text{C}$

Note) \* :  $R_L = 10\text{ k}\Omega$



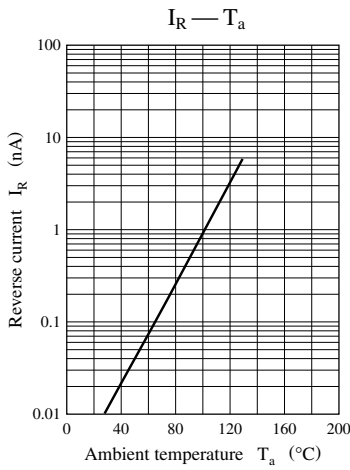
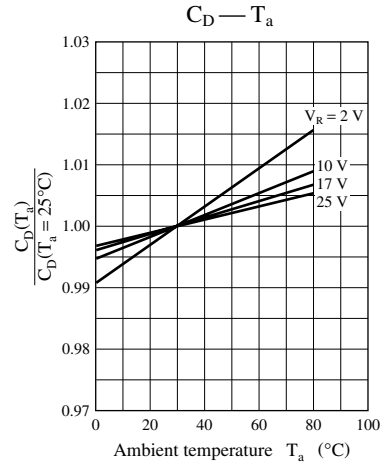
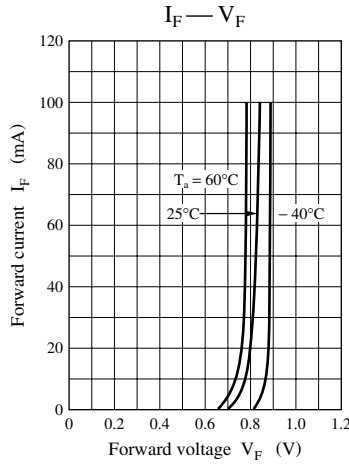
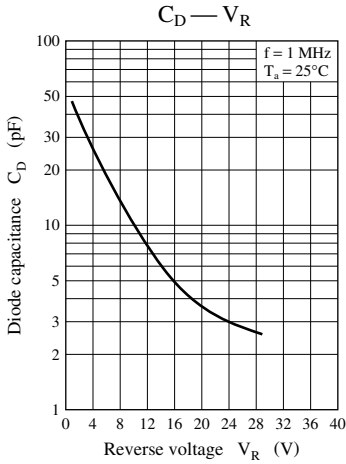
Marking Symbol: 6S

### ■ Electrical Characteristics $T_a = 25^\circ\text{C}$

Parameter	Symbol	Conditions	Min	Typ	Max	Unit
Reverse current (DC)	$I_R$	$V_R = 30\text{ V}$			10	nA
Diode capacitance	$C_{D(2V)}$	$V_R = 2\text{ V}, f = 1\text{ MHz}$	34		38.67	pF
	$C_{D(25V)}$	$V_R = 25\text{ V}, f = 1\text{ MHz}$	2.596		3.195	pF
	$C_{D(10V)}$	$V_R = 10\text{ V}, f = 1\text{ MHz}$	8.010		11.982	pF
	$C_{D(17V)}$	$V_R = 17\text{ V}, f = 1\text{ MHz}$	3.514		5.274	pF
Capacitance ratio	$C_{D(2V)}/C_{D(25V)}$		11.9	12.5		—
Diode capacitance deviation	$\Delta C$	$C_{D(2V)(10V)(17V)(25V)}$			2.5	%
Series resistance*	$r_D$	$C_D = 9\text{ pF}, f = 470\text{ MHz}$			0.75	$\Omega$

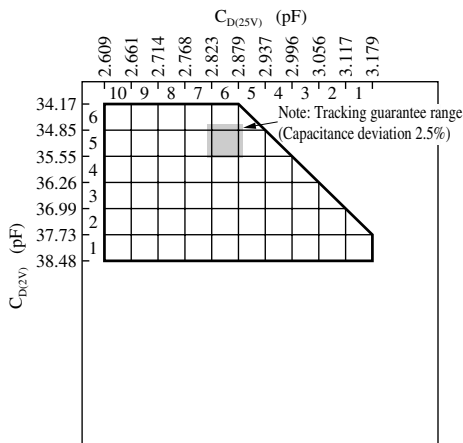
Note) 1. Rated input/output frequency: 470 MHz

2. \*:  $r_f$  measuring instrument: YHP MODEL 4191A RF IMPEDANCE ANALYZER



**CD rank classification**

**Primary rank classification**



**Secondary rank classification**

