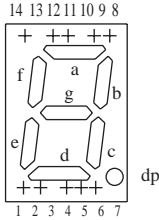


Numeric Display

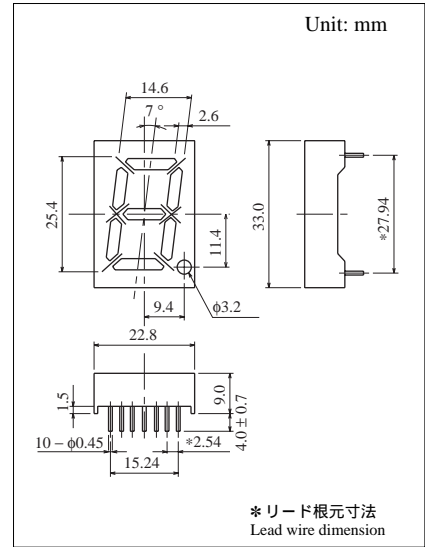
1 Digit 25.4 mm (1.0") Series

Conventional Part No. Global Part No. Lighting Color
 LN5110ALAMW LNM711AP03 Red
 LN5110ALKMW LNM711KP03 Red

Terminal Connection



Pin No.	Assignment	Assignment
1	Cathode e	Anode e
2	Cathode d	Anode d
3	—	—
4	Common Anode	Common Cathode
5	Cathode c	Anode c
6	Cathode dp	Anode dp
7	—	—
8	Cathode b	Anode b
9	Cathode a	Anode a
10	—	—
11	Common Anode	Common Cathode
12	Cathode f	Anode f
13	—	—
14	Cathode g	Anode g



■ Absolute Maximum Ratings ($T_a = 25^\circ\text{C}$)

Lighting Color	P_D (mW)	I_F (mA)	I_{FP} (mA)*	V_R (V)	T_{opr} ($^\circ\text{C}$)	T_{stg} ($^\circ\text{C}$)
Red	100	20	100	6	-25 ~ +80	-30 ~ +85

I_{FP} の条件は $\text{duty } 10\%$ $\text{Pulse width } 1 \text{ msec}$. The condition of I_{FP} is $\text{duty } 10\%$, $\text{Pulse width } 1 \text{ msec}$

■ Electro-Optical Characteristics ($T_a = 25^\circ\text{C}$)

Conventional Part No.	Lighting Color	Common	I_O / seg		$I_O / \text{d.p}$	I_F	V_F		λ_P	$\Delta\lambda$	I_F	I_R	
			Typ	Min			Typ	Typ				Max	Max
LN5110ALAMW	Red	Anode	10.0	3.0	3.0	10	3.6	5.2	660	20	20	100	6
LN5110ALKMW	Red	Cathode	10.0	3.0	3.0	10	3.6	5.2	660	20	20	100	6
Unit	—	—	μcd	μcd	μcd	mA	V	V	nm	nm	mA	μA	V

