

96 SEGMENT LIQUID CRYSTAL DISPLAY DRIVER SERIAL (SPI) INTERFACE

FEATURES

- Drives up to 96 segments
- Serial (SPI) interface with Read/Write capability
- Operates over a wide temperature range
- External contrast control
- Low power CMOS

DESCRIPTION

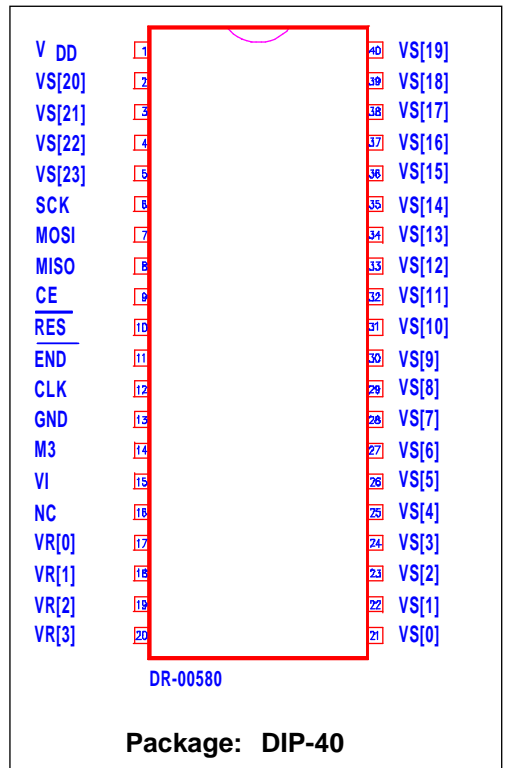
The SAMES SA8807A Liquid Crystal Display (LCD) Driver is capable of driving up to 96 LCD segments and is designed for displays having 3 or 4 track multiplexed backplanes.

The SA8807A includes an on-chip oscillator. The data exchange is carried out via the Serial Peripheral Interface (SPI).

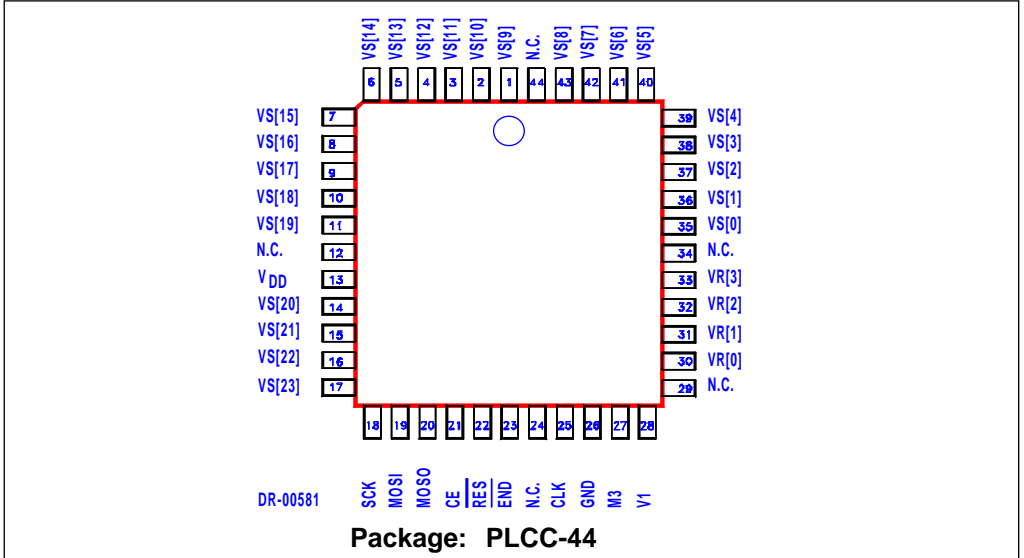
This LCD driver is ideal for any micro-controller based system requiring a liquid crystal display of up to 12 digits.

The SA8807A integrated circuit is available in both 40 pin dual-in-line plastic (DIP-40), as well as 44 pin plastic leaded chip carrier (PLCC-44) package types.

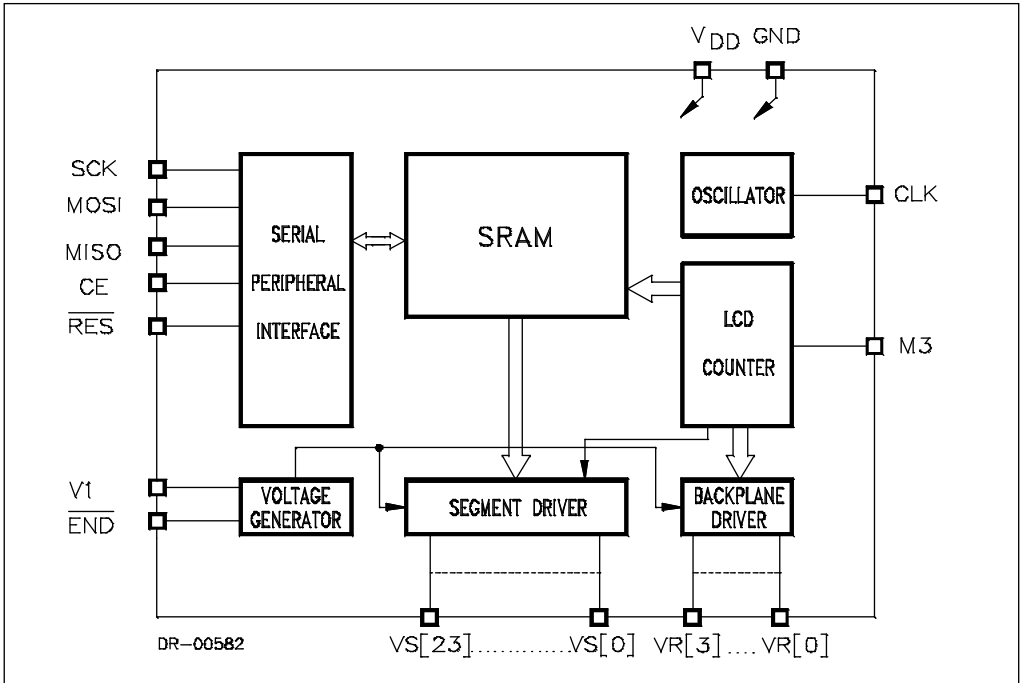
PIN CONNECTIONS



PIN CONNECTIONS



BLOCK DIAGRAM



ABSOLUTE MAXIMUM RATINGS*

Parameter	Symbol	Min	Max	Unit
Supply Voltage	$V_{DD} - V_{SS}$	-0.3	6.0	V
Current on any pin	I_{PIN}	-150	+150	mA
Storage Temperature	T_{STG}	-40	+125	°C
Operating Temperature	T_O	-25	+85	°C

* Stresses above those listed under “Absolute Maximum Ratings” may cause permanent damage to the device. This is a stress rating only. Functional operation of the device at these or any other condition above those indicated in the operational sections of this specification, is not implied. Exposure to Absolute Maximum Ratings for extended periods may affect device reliability.

ELECTRICAL CHARACTERISTICS

(Over the temperature range -10°C to +70°C#, $V_{DD} = 5V$, $V_{SS} = 0V$ unless otherwise specified.)

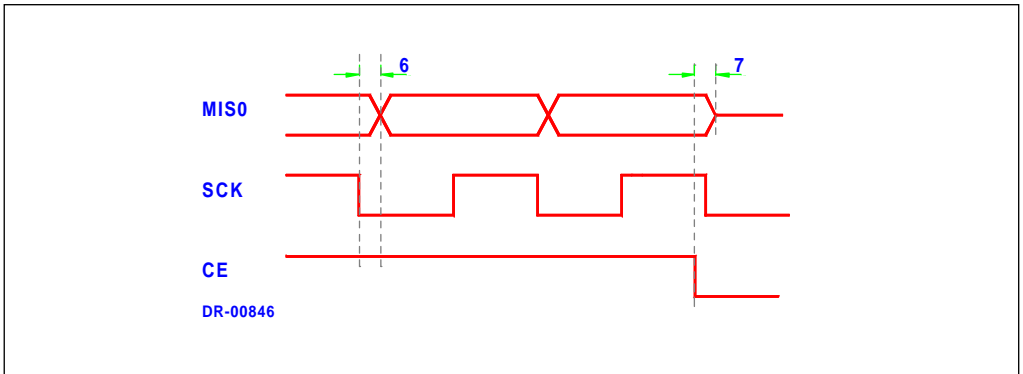
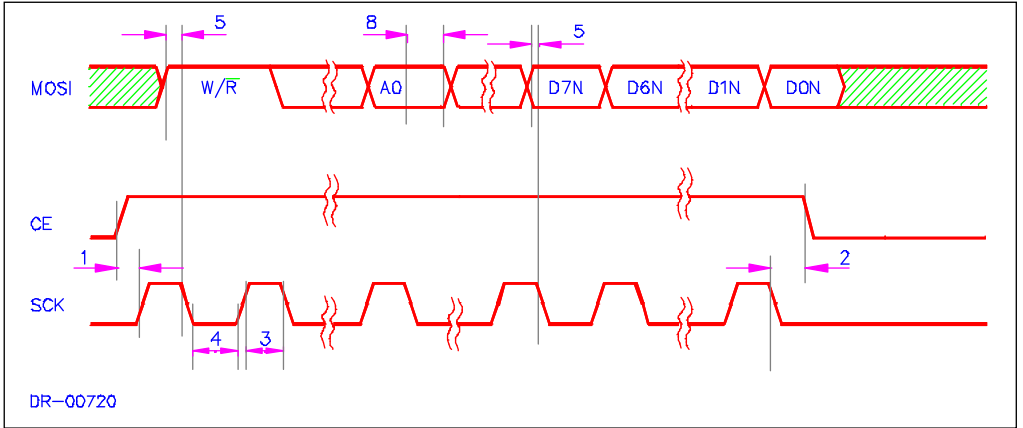
Parameter	Symbol	Min	Typ	Max	Unit	Condition
Supply Voltage	$V_{DD} - V_{SS}$	3.0	5.0	5.5	V	
Supply Current	I_{DD}			100	μA	
LCD ON Voltages	V_{ON}		$V_{DD} \text{ \& \ } V_{SS}$		V	
LCD OFF Voltages	V_{OFF}		$1/3 V_{DD} \text{ \& \ } 2/3 V_{DD}$		V	

Extended Operating Temperature Range available on request.



SERIAL INTERFACE TIMING

Ref No	Characteristic	Limits (All Types)				Unit
		$V_{DD} = 3.3V$		$V_{DD} = 5V$		
		Min	Max	Min	Max	
1	Chip Enable set-up time	200		100		ns
2	Chip Enable clock hold time	250		125		ns
3	Clock width high	400		200		ns
4	Clock width low	400		200		ns
5	Data In to clock set-up time	200		100		ns
6	Clock to Data propagation delay		200		100	ns
7	Chip Disable to output high Z		200		100	ns
8	Data In after clock hold time	200		100		ns



PIN DESCRIPTION

Pin PLCC-44	Pin DIP-40	Designation	Description
26	13	GND	Ground
13	1	V _{DD}	Positive Supply Voltage
18	6	SCK	(SPI) Serial clock input
19	7	MOSI	(SPI) Master Out: Slave In
20	8	MISO	(SPI) Master In: Slave Out
21	9	CE	Chip Enable input
22	10	$\overline{\text{RES}}$	Reset input
23	11	$\overline{\text{END}}$	Divider Enable
25	12	CLK	Oscillator or clock input
27	14	M3	3 / 4 Backplane enable input
28	15	V1	LCD Voltage input (Contrast)
35	21	VS[0]	LCD segment driver outputs
36	22	VS[1]	
37	23	VS[2]	
38	24	VS[3]	
39	25	VS[4]	
40	26	VS[5]	
41	27	VS[6]	
42	28	VS[7]	
43	29	VS[8]	
1	30	VS[9]	
2	31	VS[10]	
3	32	VS[11]	
4	33	VS[12]	
5	34	VS[13]	
6	35	VS[14]	
7	36	VS[15]	
8	37	VS[16]	
9	38	VS[17]	
10	39	VS[18]	
11	40	VS[19]	



PIN DESCRIPTION (Continued)

Pin PLCC-44	Pin DIP-40	Designation	Description
14	2	VS[20]	LCD segment driver outputs
15	3	VS[21]	
16	4	VS[22]	
17	5	VS[23]	
30	17	VR[0]	LCD row driver outputs
31	18	VR[1]	
32	19	VR[2]	
33	20	VR[3]	
29	16	NC	Not connected
12		NC	
24		NC	
34		NC	
44		NC	

FUNCTIONAL DESCRIPTION

The SA8807A is a CMOS Liquid Crystal Driver integrated circuit for displays having 3 or 4 track multiplexed backplanes and up to 96 LCD segments.

Data exchange is performed through a Serial Peripheral Interface (SPI).

1. Serial Peripheral (SPI) Interface

The SPI Interface is a 4 wire interface.

The device transmits the data to the Master via MISO (Master In, Slave Out).

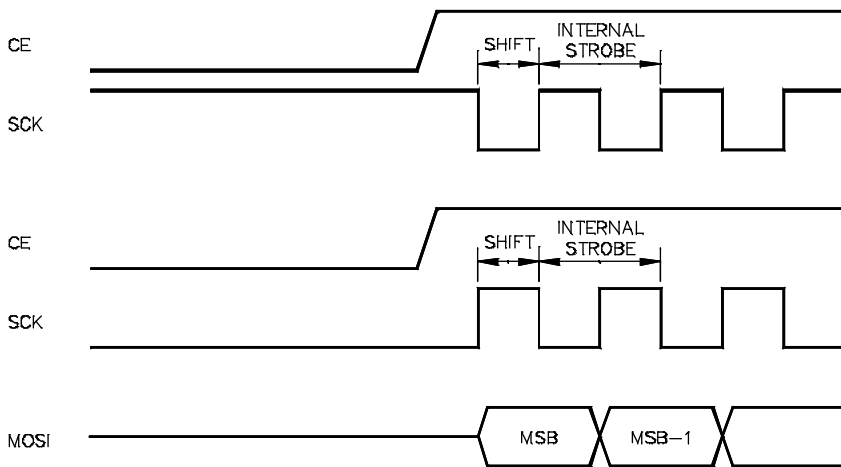
Data from the Master is received through MOSI (Master Out, Slave In). The data is always synchronised to the Serial Clock (SCK), which is supplied from the Master.

CE is a active high signal, the rising edge defining the start of a transfer procedure. The transfer procedure is terminated with the falling edge of CE.

Diagram 1 illustrates the relationships between Clock, Data and Chip Enable signals.

The SA8807A determines the clock polarity during the low to high transition of the CE signal.

Diagram 1



DR-00721

2. Addressing and Read/Write Mode Select

To access the SA8807A, a control byte has to be received first (after CE goes active). This byte contains the information to initiate either a Read or Write mode and an address.

The following bytes contain data until CE becomes inactive.

Address/Control Byte: The Address and Control Byte is the first byte sent after CE goes active. To send another address, CE must first go inactive before going active again. If the CE remains high, the device automatically increments the address, for the following byte.

W/R = "1"

One or more write cycles to be sent.

W/R = "0"

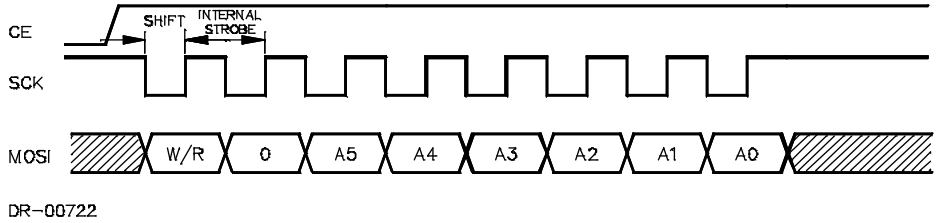
Initiates one or more read cycles.

A5 - A0:

Address 5 to Address 0 selects the 6-bit HEX Address of RAM. (See LCD Character Mapping)

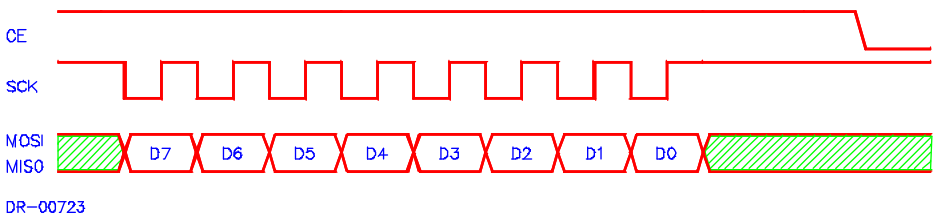
SCK may be either polarity.





Read/Write Data: The Read/Write Data follows the Address/Control byte.

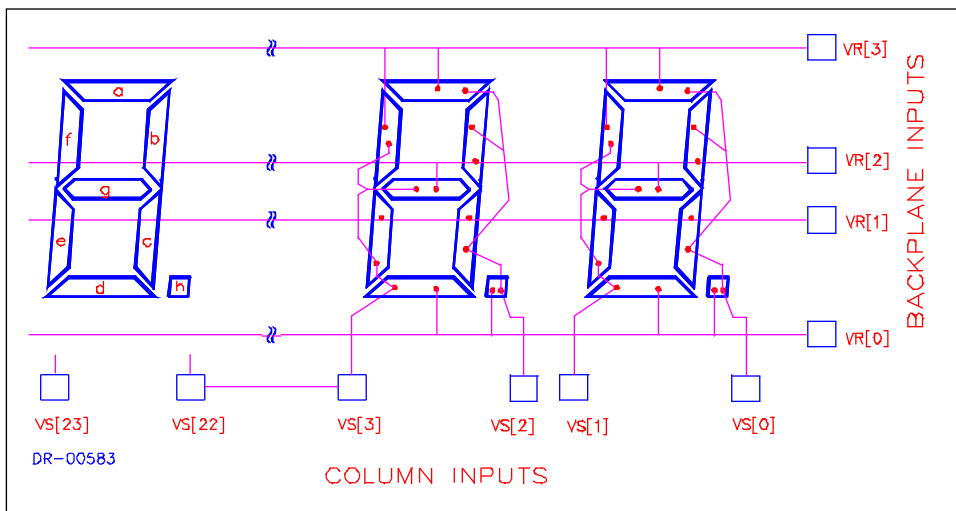
SCK may be either polarity.



3. LCD Display

The SA8807A LCD driver is capable of driving a 3 or 4 backplane, 12 digit (7 segment) display, plus decimal points.

In the case of a 4 back plane display, typically the most significant digit is addressed by columns VS[22] and VS[23] and the least significant digit, by VS[0] and VS[1]. The display segments addressed via the column outputs are given in a typical configuration below:



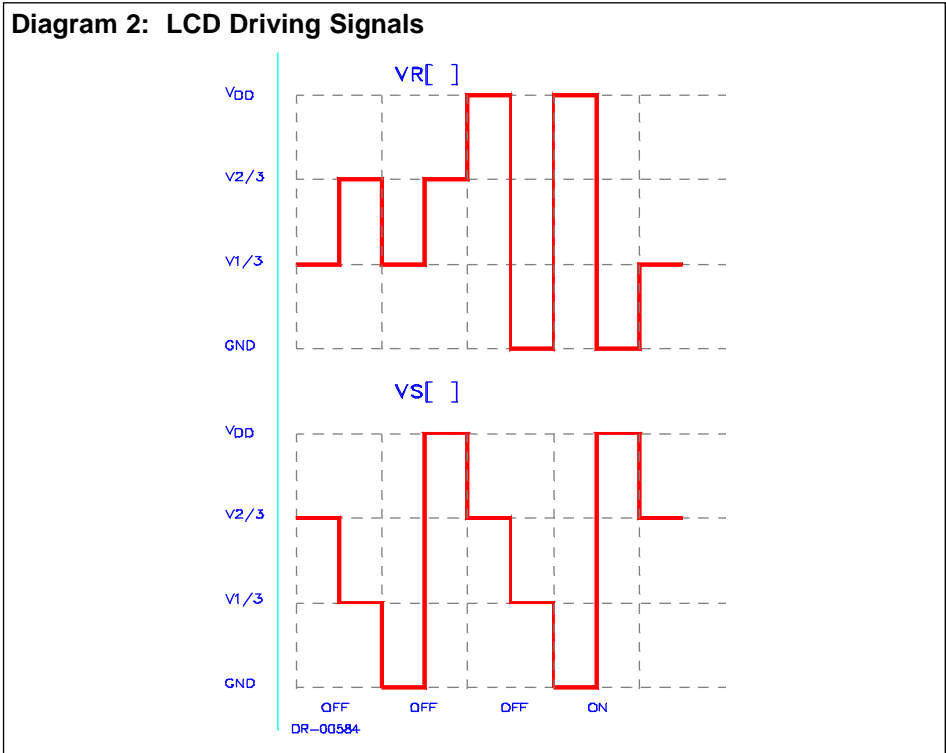
The data in memory is constantly being displayed on the liquid crystal display. New data is displayed as soon as it is latched into memory.

A segment is switched on when the corresponding difference between backplane VR[] and segment VS[] outputs is V_{DD} , and switched off when switched to $1/3 V_{DD}$.

The voltage is alternated to avoid a DC voltage on the LCD (See Diagram 2).

The backplane multiplex rate is determined by the clock/oscillator frequency on the CLK input.

Diagram 2: LCD Driving Signals



4. LCD Character Mapping

The device contains 12 x 8 bit display memory. Each byte is divided into 2 x 4 bits, for driving two adjacent segment outputs.

The lower four bits (3, 2, 1 & 0) contain the data for segments VS[0], VS[2], VS[20] and VS[22]. The upper four bits (7, 6, 5 & 4) contain the data segments VS[1], VS[3], VS[21] and VS[23].

SEG	VS[0]	VS[1]	VS[2]	VS[3]	VS[20]	VS[21]	VS[22]	VS[23]
VR[0]	0-0	0-4*	1-0	1-4	10-0	10-4	11-0	11-4
VR[1]	0-1	0-5	1-1	1-5	10-1	10-5	11-1	11-5
VR[2]	0-2	0-6	1-2	1-6	10-2	10-6	11-2	11-6
VR[3]	0-3	0-7	1-3	1-7	10-3	10-7	11-3	11-7

Note: A '1' switches the corresponding segment on.

* The address number and bit number of the byte is given, e.g. 0-4 is address 0 and bit 4 (LSB).

In 3-backplane mode, data corresponding to VR[3] (bit 3 and 7) is unused.



5. On-Chip LCD Voltage Divider Disable

The integrated divider for the LCD voltages can be disabled by applying a high level on the \overline{EN} input ($\overline{EN} = 1$).

6. Contrast Setting

The contrast may be adjusted by applying an external LCD voltage on input V1, with the internal voltage divider activated.

7. Oscillator

The on-chip oscillator circuit requires one external capacitor for operation. The capacitor value is calculated as follows:

$$C = 7\mu\text{F} \cdot 1\text{Hz}/f$$

f = Required oscillator frequency

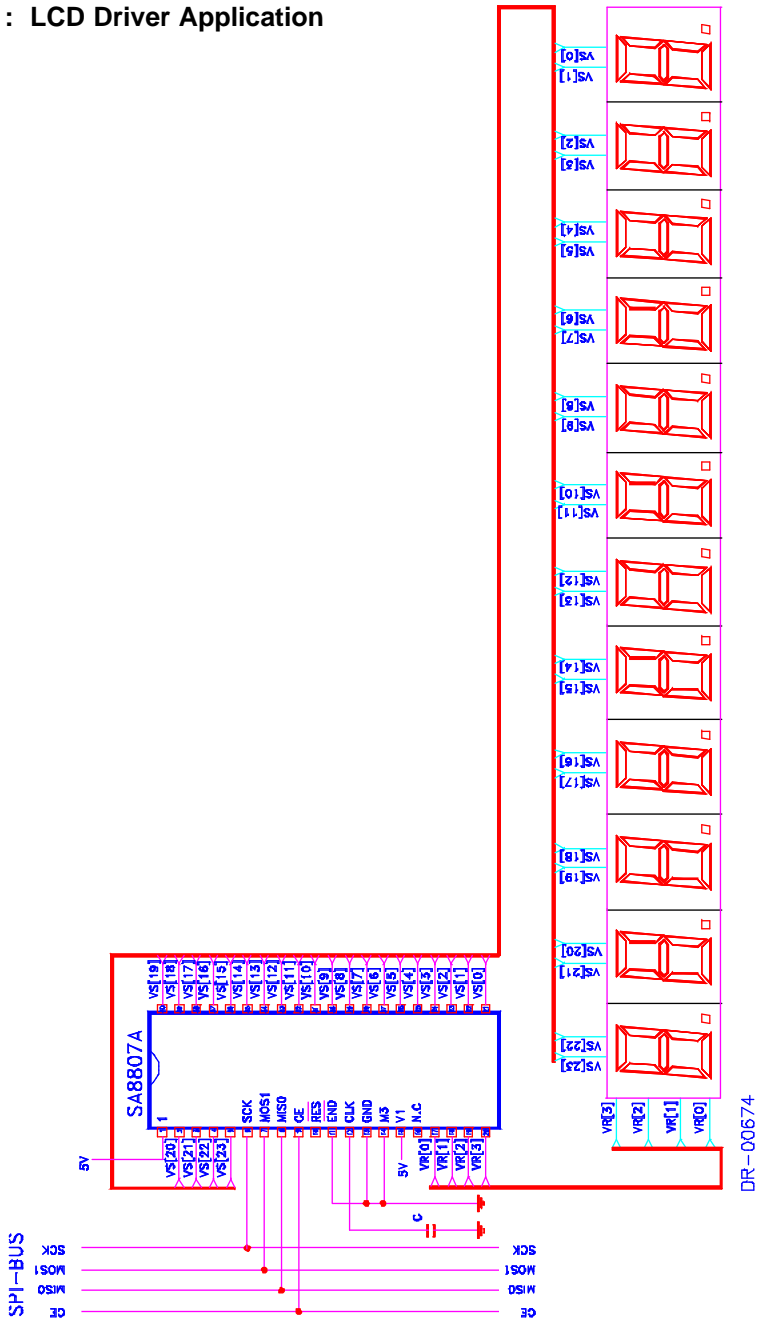
The backplane multiplex rate is f/8 for 4-backplane mode and f/6 for 3-backplane mode.

TYPICAL APPLICATION

The Application Circuit (Figure 1) shows the connections for a typical application when using a 12 digit (7 segment) display, plus decimal points.



Figure 1: LCD Driver Application



DR-00674

ORDERING INFORMATION

Part Number	Package
SA8807APA	DIP-40
SA8807AFA	PLCC-44



Disclaimer: The information contained in this document is confidential and proprietary to South African Micro-Electronic Systems (Pty) Ltd ("SAMES") and may not be copied or disclosed to a third party, in whole or in part, without the express written consent of SAMES. The information contained herein is current as of the date of publication; however, delivery of this document shall not under any circumstances create any implication that the information contained herein is correct as of any time subsequent to such date. SAMES does not undertake to inform any recipient of this document of any changes in the information contained herein, and SAMES expressly reserves the right to make changes in such information, without notification, even if such changes would render information contained herein inaccurate or incomplete. SAMES makes no representation or warranty that any circuit designed by reference to the information contained herein, will function without errors and as intended by the designer.

Any Sales or technical questions may be posted to our e-mail address below:
energy@sames.co.za

For the latest updates on datasheets, please visit our web site:
<http://www.sames.co.za>

South African Micro-Electronic Systems (Pty) Ltd

P O Box 15888,
Lynn East, 0039
Republic of South Africa,

33 Eland Street,
Koedoespoort Industrial Area,
Pretoria,
Republic of South Africa

Tel: 012 333-6021
Fax: 012 333-8071

Tel: Int +27 12 333-6021
Fax: Int +27 12 333-8071

