

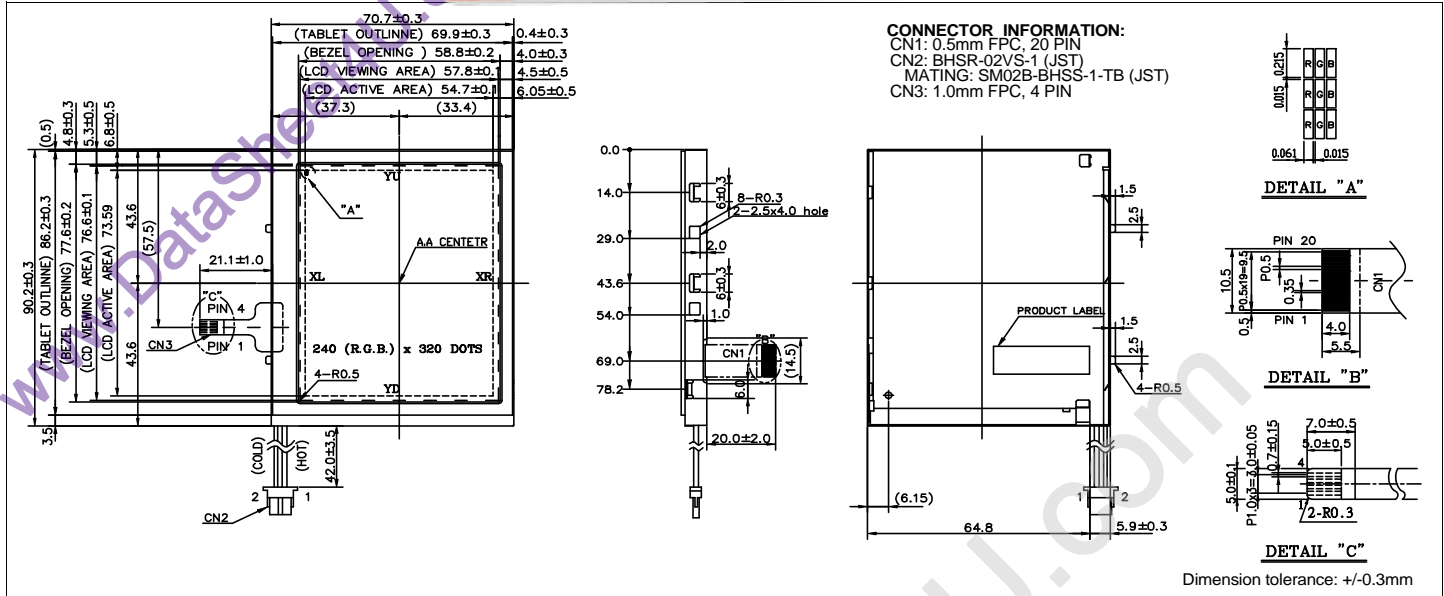
HDM 2432C-3

Dimensional Drawing

液晶之友 电话: 020-33819057

Http://www.lcdfriends.com

3.6" 240 X 320 Dots Color Graphical , Small Size w/CCFL Backlight



Features

- Backlight.....CCFL
- Options.....Color RGB
- Normal/Extended Temperature
- Bottom Viewing
- Touch Panel
- Built-in Controller.....None

Physical Data

- Module Size.....70.7W x 90.2H x 7.6T mm
- Viewing Area Size.....57.8W x 76.6H mm
- Dot Pitch.....0.076W x 0.23H mm
- Dot Size.....0.061W x 0.215H mm
- Weight.....70.3g

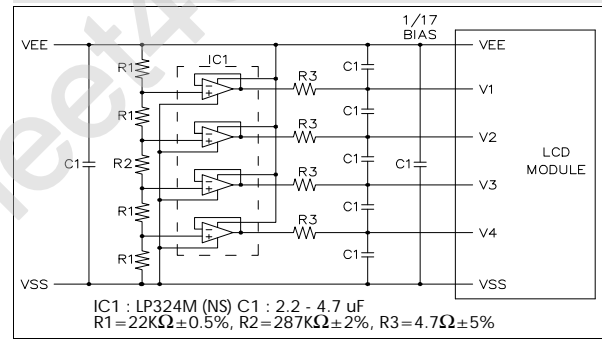
Absolute Maximum Ratings

PARAMETER	SYMBOL	MIN	MAX	UNIT
SUPPLY VOLTAGE	$V_{DD}-V_{SS}$	-0.3	7.0	V
SUPPLY VOLTAGE FOR LCD	$V_{EE}-V_{SS}$	-0.3	36.0	V
INPUT VOLTAGE	V_{IN}	-0.3	$V_{DD}+0.3$	V
OPERATING TEMPERATURE	T_{OP}	0	50	°C
STORAGE TEMPERATURE	T_{STG}	-20	70	°C

Electrical Characteristics (VDD=3.3±0.3V 25°C)

PARAMETER	SYM	CONDITION	MIN	TYP	MAX	UNIT
SUPPLY VOLTAGE	V_{DD}	-	3.0	3.3	3.6	V
	V_{EE}	25°C	30.1	30.4	30.7	
SUPPLY CURRENT	I_{DD}	$V_{DD}=3.3V$	-	0.56	1.0	mA
	I_L	$V_{EE}=30.4V$	-	0.53	1.0	
CCFL OP VOLTAGE	V_{FL}	-	-	280	-	V_{rms}
CCFL OP CURRENT	I_{FL}	-	-	1.5	-	mA_{rms}
CCFL START VTG.	V_{FLS}	-	-	280	-	V_{rms}
CCFL FREQUENCY	F_{FL}	-	-	45-50	-	KHz
DRIVE METHOD	1/320 DUTY					

Power Supply



Pin Connections

PIN NO.	SYMBOL	LEVEL	FUNCTION
DATA CONNECTOR			
1	V_{SS}	0V	Ground
2-9	D0 - D7	H/L	Data Bus
10	V_{DD}	3.3V	Power supply for logic
11	V_{EE}		Power Supply for LCD (COM/SEG selected Level)
12	V1		Power Supply for LCD (COM Non-selected Level)
13	V2		Power Supply for LCD (SEG Non-selected Level)
14	V3		Power Supply for LCD (SEG Non-selected Level)
15	V4		Power Supply for LCD (COM Non-selected Level)
16	DISPOFF	H/L	H=On, L=Off
17	CP	H/L	Data shift
18	M	H/L	AC signal for LC
19	LOAD	H/L	Data Latch
20	FRAME	H	First Line Marker
CCFL CONNECTOR			
1	V_{CFL}	-	Power supply for CCFL
2	GND	-	Ground
TOUCH SCREEN CONNECTOR			
1	XR		RIGHT
2	YD		BOTTOM
3	XL		LEFT
4	YU		TOP