

10BASE-T NETWORK COMPONENTS PC-CARD (PCMCIA) MODULES

960001A

- Low-profile, Type II surface mount packaging, compliant with IEEE 802.3i-1993 specifications
- Individually designed to function with a variety of 10Base-T transceivers
- Designs include impedance matching resistor networks, receive and transmit isolation transformers and EMI suppression common mode chokes

ELECTRICALS AT 25°C

Part No.	Insertion Loss (dB) Typ		Attenuation (dB) Min			Return Loss (dB) Min		Crosstalk (dB) Min	Hipot (Vrms) Min	Schematic	Package Style
	1MHz-10MHz	30MHz	30MHz	50MHz	100MHz	1MHz-10MHz	1MHz-10MHz				
S556-9003-05	-5.0	-30	-30	-35	-40	-18	-50	2000	A	1	
S556-9003-06	-5.0	-30	-30	-35	-40	-18	-50	2000	A	1	
S556-9003-07	-5.0	-30	-30	-35	-40	-18	-50	2000	A	1	
S556-9003-08	-5.0	-30	-30	-35	-40	-18	-50	2000	A	1	
S556-9003-09	-5.0	-30	-30	-35	-40	-18	-50	2000	A	1	
S556-9003-10	-5.0	-30	-30	-35	-40	-18	-50	2000	A	1	
S556-9003-11	-1.2	-30	-30	-35	-40	-18	-50	2000	B	1	
S556-9003-12	-5.0	-30	-30	-35	-40	-18	-50	2000	A	1	
S556-9003-13	-5.0	-30	-30	-35	-40	-18	-50	2000	B	1	
S556-9003-14	-5.0	-30	-30	-35	-40	-18	-50	2000	B	1	
S556-9003-15	-5.0	-30	-30	-35	-40	-18	-50	2000	A	1	
S556-9003-30	-5.0	-30	-30	-35	-40	-18	-50	2000	C	1	
S556-9003-33	-5.0	-30	-30	-35	-40	-18	-50	2000	C	1	
S556-9003-34	-5.0	-30	-30	-35	-40	-18	-50	2000	C	1	
S556-9003-36	-5.0	-30	-30	-35	-40	-18	-50	2000	C	1	
S556-9003-54	-5.0	-30	-30	-30	-40	-18	-50	2000	D	1	

APPLICATION CHART

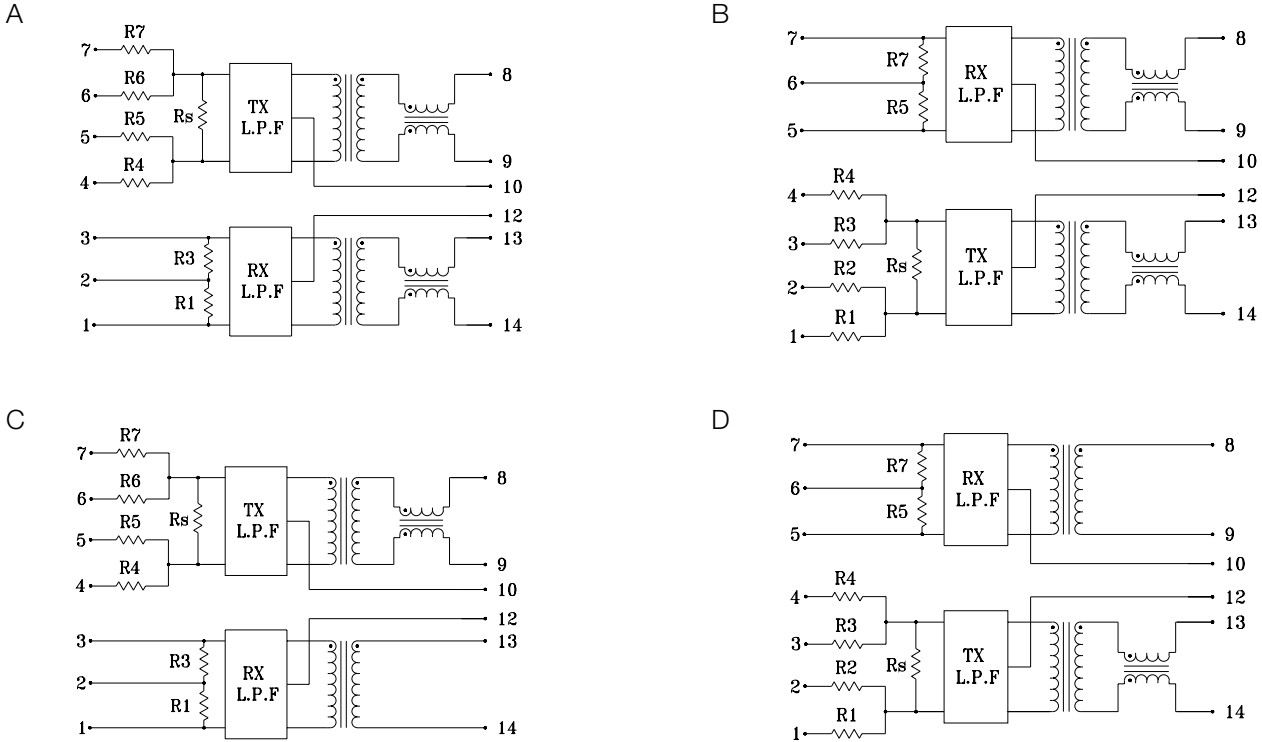
IC Manufacturer	IC Number	Bel Part Number
AMD	79C96A, 79C940	S556-9003-13
AMD	79C960, 961, 940	S556-9003-14
ATT	7232	S556-9003-30
ATT	7213	S556-9003-07
DEC	21040	S556-9003-54
Fujitsu	MB86967	S556-9003-09
Fujitsu	MB8636A	S556-9003-06
Intel	83595ISA	S556-9003-08
Most	Most	S556-9003-11
Motorola	MC68160	S556-9003-36
National	DP83902, 83934	S556-9003-05
National	DP839902VJG, 83934	S556-9003-34
National	DP83902, 83934	S556-9003-15
NCR	92C02A	S556-9003-12
SMC	91C94	S556-9003-10
Symbios Logic	NCR92C02A, NCR92C350	S556-9003-33

Specifications subject to change without notice.

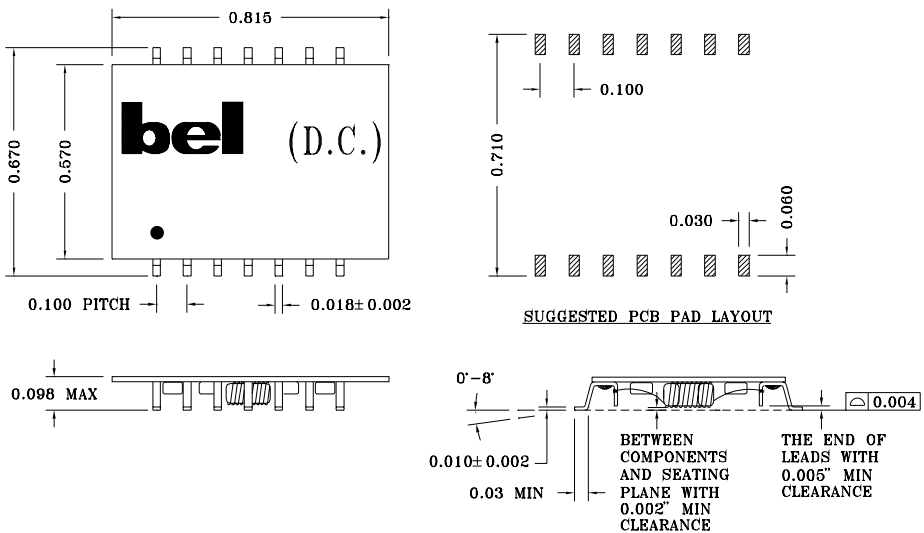
10BASE-T NETWORK COMPONENTS PC-CARD (PCMCIA) MODULES

960001A

SCHEMATICS



MECHANICAL



Specifications subject to change without notice.

10BASE-T NETWORK COMPONENTS PC-CARD (PCMCIA) MODULES

960001A

RESISTOR TABLE

Part No.	R1 Pin1	Pin2	R3 Pin3	R4 Pin4	R5 Pin5	R6 Pin6	R7 Pin7	Rs Rshunt
S556-9003-05	49.9	-C-	49.9	274	66.5	66.5	274	820
S556-9003-06	49.9	-C-	49.9	15	120	15	120	N/A
S556-9003-07	49.9	-C-	49.9	68.1	287	287	68.1	N/A
S556-9003-08	49.9	-C-	49.9	61.9	198	61.9	198	N/A
S556-9003-09	49.9	-C-	49.9	290	49.9	49.9	290	N/A
S556-9003-10	49.9	-C-	49.9	316	53.6	53.6	316	N/A
S556-9003-12	49.9	-C-	49.9	243	68.1	243	68.1	680
S556-9003-15	49.9	-C-	49.9	274	68.1	68.1	274	806

Part No.	R1 Pin1	R2 Pin2	R3 Pin3	R4 Pin4	R5 Pin5	Pin6	R7 Pin7	Rs Rshunt
S556-9003-11	N/A	N/A	N/A	N/A	N/A	N/A	N/A	N/A
S556-9003-13	53.6	316	53.6	316	49.9	-C-	49.9	N/A
S556-9003-14	61.9	422	61.9	422	49.9	-C-	49.9	1.21K

Part No.	R1 Pin1	Pin2	R3 Pin3	R4 Pin4	R5 Pin5	R6 Pin6	R7 Pin7	Rs Rshunt
S556-9003-30	49.9	-C-	49.9	53.6	316	316	53.6	N/A
S556-9003-33	49.9	-C-	49.9	287	68.1	287	68.1	N/A
S556-9003-34	49.9	-C-	49.9	287	68.1	68.1	287	N/A
S556-9003-36	49.9	-C-	49.9	N/A	47.5	N/A	47.5	N/A

Part No.	R1 Pin1	R2 Pin2	R3 Pin3	R4 Pin4	R5 Pin5	Pin6	R7 Pin7	Rs Rshunt
S556-9003-54	20	133	20	133	49.9	-C-	49.9	N/A

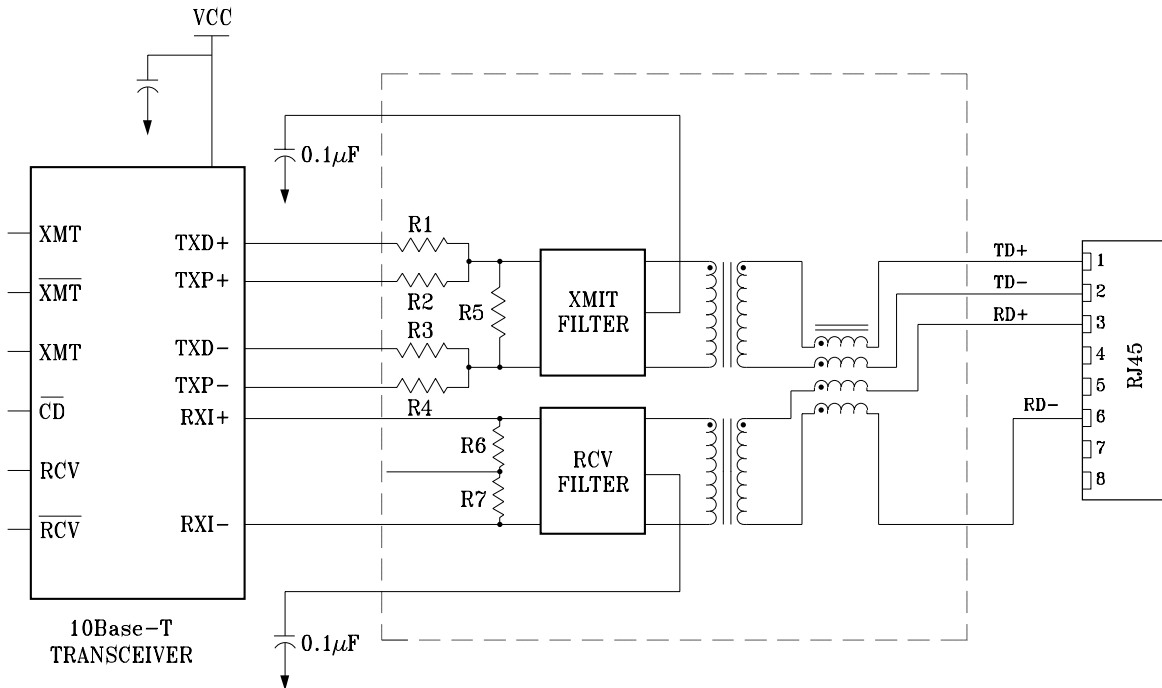
Note: C=Center

Specifications subject to change without notice.

10BASE-T NETWORK COMPONENTS PC-CARD (PCMCIA) MODULES

960001A

APPLICATION CIRCUIT



APPLICATION NOTES

- Bel has created a family of low profile, surface mount PC-card magnetics modules that are compatible with the recommended application circuits from a variety of semiconductor manufacturers. In addition, Bel has created additional versions that are suitable as an alternate source when choosing magnetics suppliers. Consult the Bel short form catalog and recommended application circuit for the specific configuration of each Bel part type.
- Each Bel module is designed with pre-emphasis and impedance matching resistors, filter networks for wave shaping, isolation transformers and common mode chokes.
- For more detailed information regarding the use and application of any device listed herein, including the timing and availability of Type I height magnetic modules, please contact the nearest Bel office.

Corporate Office

Bel Fuse Inc.

198 Van Vorst Street, Jersey City, NJ 07302-4496
Tel: 201-432-0463
Fax: 201-432-9542
E-Mail: BelFuse@belfuse.com
Internet: <http://www.belfuse.com>

Far East Office

Bel Fuse Ltd.

8F/8 Luk Hop Street
San Po Kong
Kowloon, Hong Kong
Tel: 852-2328-5515
Fax: 852-2352-3706

European Office

Bel Fuse Europe Ltd.

Preston Technology Management Centre
Marsh Lane, Preston PR1 8UD
Lancashire, U.K.
Tel: 44-1772-556601
Fax: 44-1772-888366