

**Integrated CPE Filter/Hybrid Solution VDSL/10BaseS
for Infineon PEB 22810/11/12/22 Chipset
APC77124RC**

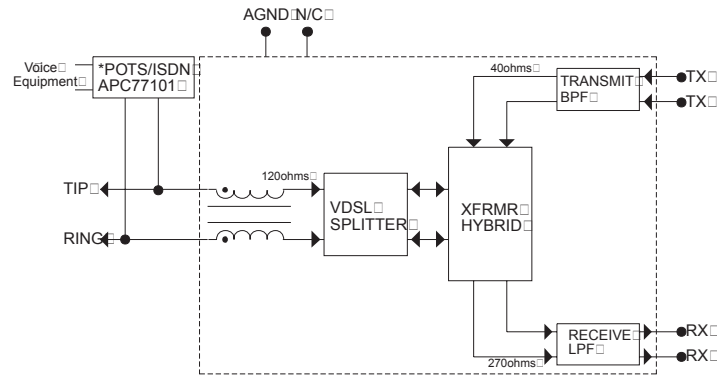


ELECTRICAL SPECIFICATIONS @ 25°C

| Description | Passband Frequency | Insertion Loss max | Return Loss min | Stopband Frequency | Attenuation min | Impedance |
|-----------------------|--------------------|--------------------|-----------------|--------------------|-----------------|-----------|
| *VDSL Splitter/Hybrid | 900 kHz to 7.9 MHz | 0.8 dB | 12 dB | 200 kHz | 40 dB | 120 ohms |
| Receive LPF | 900 kHz to 3.3 MHz | 0.8 dB | 12 dB | 4.5 MHz to 7.9 MHz | 30 dB | 270 ohms |
| Transmit BPF | 900 kHz to 7.9 MHz | 0.8 dB | 12 dB | 200 kHz | 40 dB | 40 ohms |

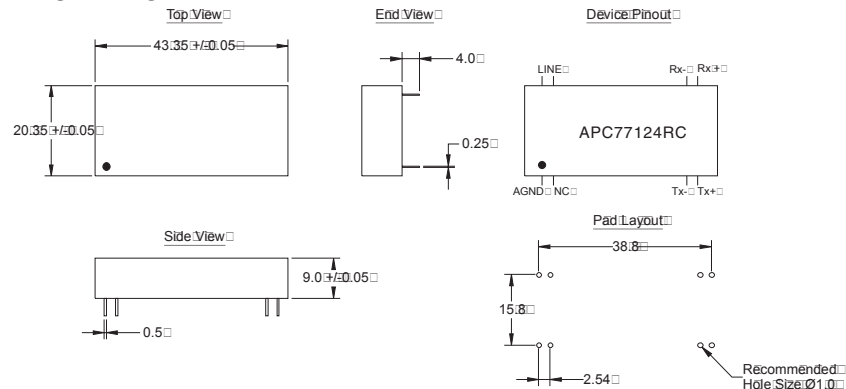
NOTES: *TRANSHYBRID LOSS THROUGH VDSL SPLITTER/HYBRID IS > 15dB MIN
PROVIDES 1500VRMS ISOLATION VOLTAGE. INCORPORATES XDSL CHOKE > 35dB MIN

SCHEMATIC



*PLEASE REFER TO APC77101 DATASHEET FOR APPLICATION NOTES ON POTS/ISDN DIGITAL SPLITTER.

MECHANICAL



| PIN | ALLOCATION |
|-----|------------|
| 1 | AGND |
| 2 | NC |
| 3 | Tx- |
| 4 | Tx+ |
| 5 | Rx+ |
| 6 | Rx- |
| 7 | LINE |
| 8 | LINE |

NOTES: ALL TOLERANCES +/- 0.010
0.25