

**ISDN / ADSL CO Splitter Filter**  
**0802-1000-33**

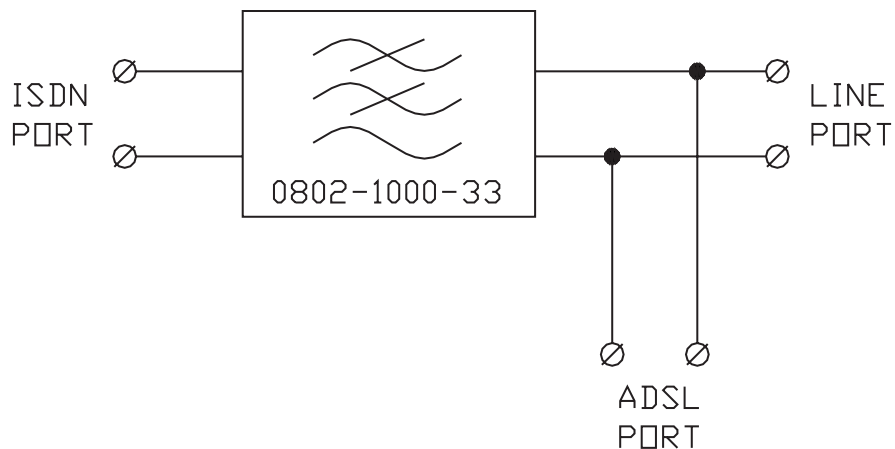
**FEATURES**

- ISDN over ADSL Central Office (CO) splitter
- Designed to meet ETSI specifications TS 101 952-1-3 v1.1.1
- LPF matched to 135 ohms line impedance for ISDN 2B1Q applications

**SPECIFICATIONS @ 25° C**

Parameter	Frequency	Requirement
ISDN Impedance	1.0 kHz to 80 kHz	135 Ohms
ISDN Insertion Loss	1.0 kHz to 40 kHz	-0.8 dB MAX
	40 kHz to 80 kHz	-2.0 dB MAX
ISDN Return Loss	1.0 kHz to 40 kHz	-16 dB MIN
	40 kHz to 80 kHz	-14 dB MIN
ISDN Group Delay	1.0 kHz to 80 kHz	<20 us MAX
Stop Band Attenuation	150 kHz to 1104 kHz	-65 dB MIN
Isolation For ADSL	170 kHz to 1104 kHz	<1 dB
DC Current	DC	60 mA
DC Resistance	DC	12.5 Ohms MAX

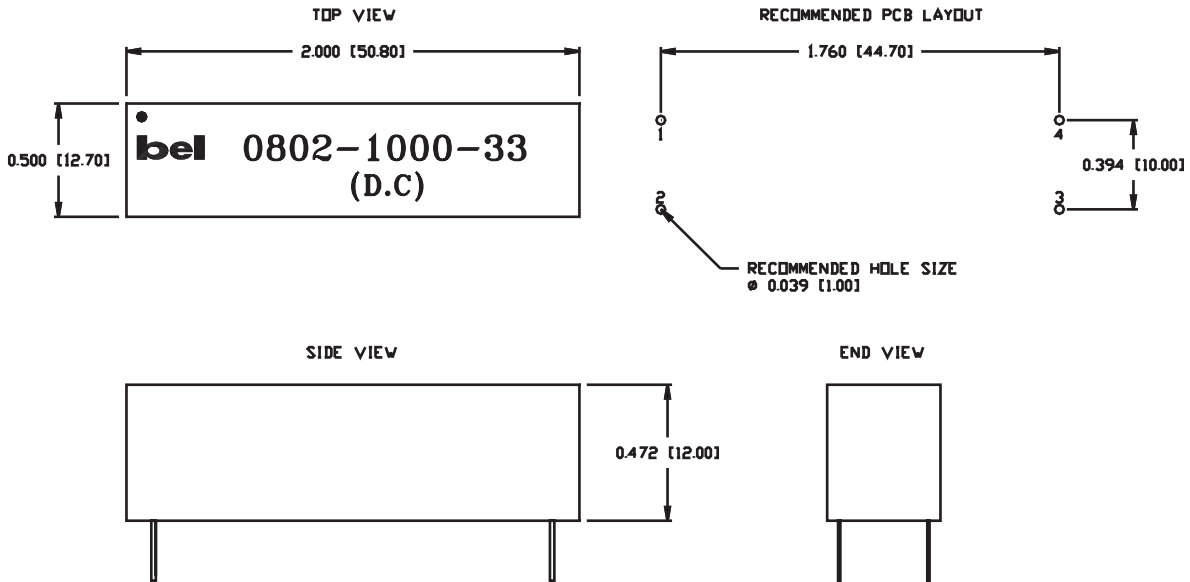
**BLOCK DIAGRAM**





**ISDN / ADSL CO Splitter Filter**  
**0802-1000-33**

**MECHANICAL**



NOTE: ALL DIMENSIONS IN INCHES [MM]

Signal	Pin
Line ISDN & ADSL	1
Line ISDN & ADSL	2
ISDN	3
ISDN	4

©2006 Bel Fuse Inc. Specifications subject to change without notice. 03.16.06

**CORPORATE**

**Bel Fuse Inc.**  
206 Van Vorst Street  
Jersey City, NJ 07302  
Tel 201-432-0463  
Fax 201-432-9542  
www.belfuse.com

**FAR EAST**

**Bel Fuse Ltd.**  
8F / 8 Luk Hop Street  
San Po Kong  
Kowloon, Hong Kong  
Tel 852-2328-5515  
Fax 852-2352-3706  
www.belfuse.com

**EUROPE**

**Bel Stewart Connector**  
45/46 Riverside  
Medway City Estate  
Rochester, Kent ME2 4DP U.K.  
Tel 44-1634-722890  
Fax 44-1634-716677  
www.belfuse.com