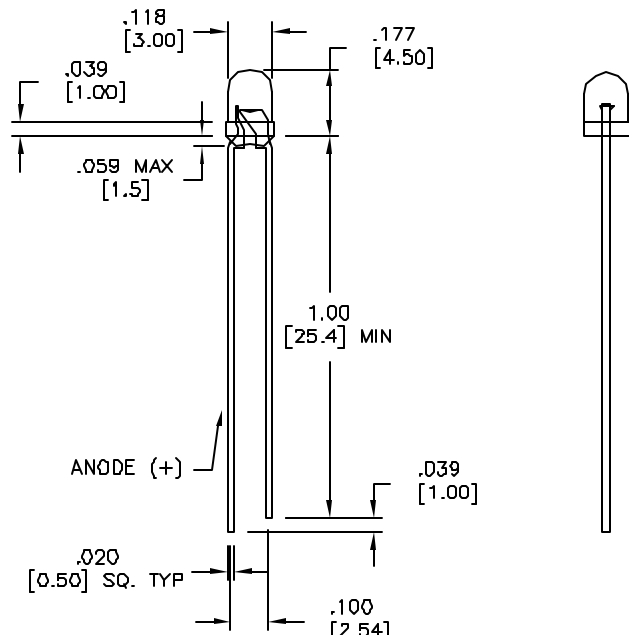
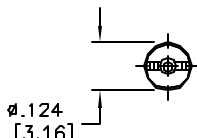


LTR	REVISION	DATE	APPD
B	RVSD PER ECR 101597-JH006	10-17-97	SA
C	RVSD PER ECR 111797-JK003	11-17-97	SA
D	RVSD PER ECR 111799-SA05	11-17-99	SA
E	RVSD PER ECR 071900-SA02	07-19-00	SA
F	UPDATED TABLE	04-12-01	JB
G	UPDATED TABLE	08-07-01	RM
H	RVSD PER ECR 093002-RM01	09-30-02	RM
I	RVSD PER ECR 042503-RM03	04-25-03	RM
J	091604-PL02:L120CWG1KN S/B 500mcd	09-16-04	RM
K	111104-PL01: REVISED (mcd)	11-12-04	



NOTES:

1. ALL DIMS ARE IN INCHES (MILLIMETERS).
2. TOLERANCE IS  $\pm 0.010"$  ( $\pm 0.25\text{mm}$ ) UNLESS OTHERWISE SPECIFIED.
3. LEAD SPACING IS MEASURED WHERE LEADS EMERGE FROM THE PACKAGE.
4. LEADS TO BE SOLDERABLE AND CAPABLE OF MEETING THE SOLDERABILITY REQUIREMENTS OF MIL-STD-202, METHOD 208.
5. MANUFACTURE DATE SHALL NOT BE OLDER THAN 26 WEEKS (6 MONTHS).

LEDTRONICS PART NO.	L.E.D. RADIATION COLOR	L.E.D. APPEARANCE	ABSOLUTE MAXIMUM RATINGS (Ta=25°C)					ELECTRO-OPTICAL CHARACTERISTICS (Ta=25°C)							
			Pd mW	Ifp mA	If mA	Vr V	Topt (°C)	If mA	Iv mod typ	Vf=V typ/max	VIEW ANGLE 2θ1/2	Ir max μA	Δλ nm	λ00. nm	λPeak nm
L120CWR5N	HI-EFF RED	WATER CLEAR	100	150	30	5	-40 TO +85	20	100	2.0/2.6	40	100	45		635
L120CW05N	ORANGE	WATER CLEAR	100	150	30	5	-40 TO +85	20	100	2.0/2.6	40	100	35		610
L120CWY5N	YELLOW	WATER CLEAR	100	150	30	5	-40 TO +85	20	90	2.1/2.6	40	100	35		585
L120CWG5N	HI-EFF GREEN	WATER CLEAR	100	150	30	5	-40 TO +85	20	75	2.2/2.6	30	100	30		568
L120CWR3KN	ULTRA RED	WATER CLEAR	65	150	30	5	-40 TO +85	20	400	2.0/2.6	30	100	20		660
L120CWY3KN	SUPER YELLOW	WATER CLEAR	100	150	30	5	-40 TO +80	20	1800	2.0/2.6	32	100	15		595
L120CWAG3KN	AQUA GREEN	WATER CLEAR	120	150	30	5	-40 TO +80	20	2000	3.5/4.0	32	100	30	525	525
L120CWBG3KN	BLUE GREEN	WATER CLEAR	110	100	30	5	-40 TO +85	20	800	3.5/4.0	20	100	30		502
L120CWBP1KN	SUPER BLUE	WATER CLEAR	120	100	30	5	-40 TO +85	20	800	3.6/4.0	20	100	30		470
L120CWG1KN	SUPER GREEN	WATER CLEAR	100	150	30	5	-40 TO +80	20	500	2.0/2.6	30	100	15		572

Tstg: -40°C TO +85°C  
LEAD SOLDERING TEMP: [1.6mm (.063in) FROM BODY] 260°C FOR 5 SEC.

 LEDTRONICS, INC. 23105 KASHIWA COURT TORRANCE, CA 90505	PROPRIETARY. This document contains Proprietary Information of LEDTRONICS, INC. It may not be copied, used or disclosed for any purpose without the prior express written consent of LEDTRONICS, INC.	TITLE L120CWXXN			
	.00X ± .010 TOLERANCE PER ANSI-Y14.5 .XX ± .025 (UNLESS OTHERWISE STATED) ANGLES ± 0°.30" FRACT. ± 1/32	DWG NO DSDC0066	SCALE 2:1	SHEET 1 OF 2	DATE 01-22-92
	CODE IDENT NO. 8Z410	DWG BY JCH	CHK BY PL	QA JCH 12-02-04	MFG 12-02-04
				CUSTOMER	