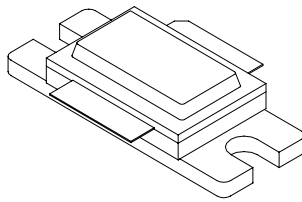


DME800

800 Watts, 50 Volts

Pulsed Avionics 1025 to 1150 MHz

<p>GENERAL DESCRIPTION</p> <p>The DME800 is a high power COMMON BASE bipolar transistor. It is designed for pulsed DME systems at 1025 to 1150 MHz, with the pulse width and duty required for DME applications. The device has gold thin-film metalization for proven highest MTTF. The transistor includes input and output prematch for broadband capability. Low thermal resistance package reduces junction temperature, extends life.</p>	<p>CASE OUTLINE 55ST-1 (Common Base)</p> 
<p>ABSOLUTE MAXIMUM RATINGS</p> <p>Maximum Power Dissipation Device Dissipation @25°C¹ 2500 W</p> <p>Maximum Voltage and Current Collector to Base Voltage (BV_{ces}) 65 V Emitter to Base Voltage (BV_{ebo}) 3 V Collector Current (I_c) 50 A</p> <p>Maximum Temperatures Storage Temperature -65 to +200 °C Operating Junction Temperature +200 °C</p>	

ELECTRICAL CHARACTERISTICS @ 25°C

SYMBOL	CHARACTERISTICS	TEST CONDITIONS	MIN	TYP	MAX	UNITS
P _{out}	Power Out	Pulse Width = 10 μs, Pin = 100 Watts V _{cc} = 50 Volts F = 1025-1150 MHz Long Term Duty Factor = 1%	800		1000	W
P _g	Power Gain		9.0		10.0	dB
η _c	Collector Efficiency		40			%
R _L	Return Loss		-9			dB
Tr	Rise Time				200	ns
Pd	Pulse Droop				0.7	dB
VSWR	Load Mismatch Tolerance ¹		F = 1025 MHz	3.0:1		

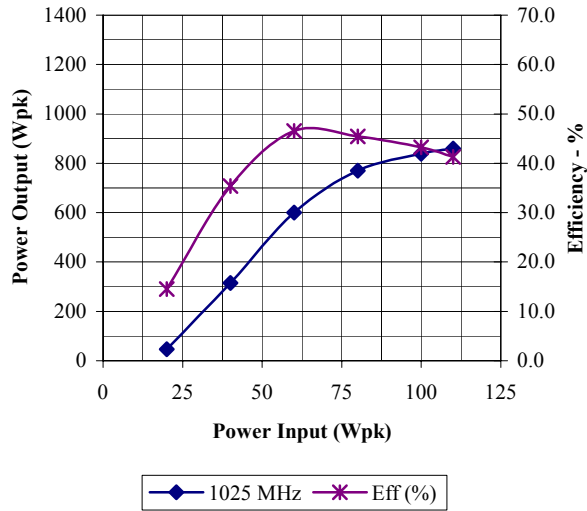
FUNCTIONAL CHARACTERISTICS @ 25°C

BV _{ebo}	Emitter to Base Breakdown	I _c = 20 mA	3.5			V
BV _{ces}	Collector to Emitter Breakdown	I _c = 50 mA	65			V
h _{FE}	DC – Current Gain	V _{ce} = 5V, I _c = 600mA	20			
θ _{jc} ²	Thermal Resistance			0.04	0.06	°C/W

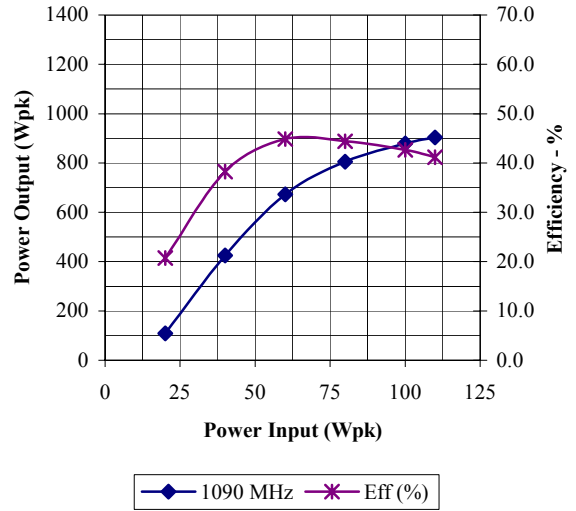
NOTES: 1. At rated output power and pulse conditions
2. At rated pulse conditions

Issued June 2003

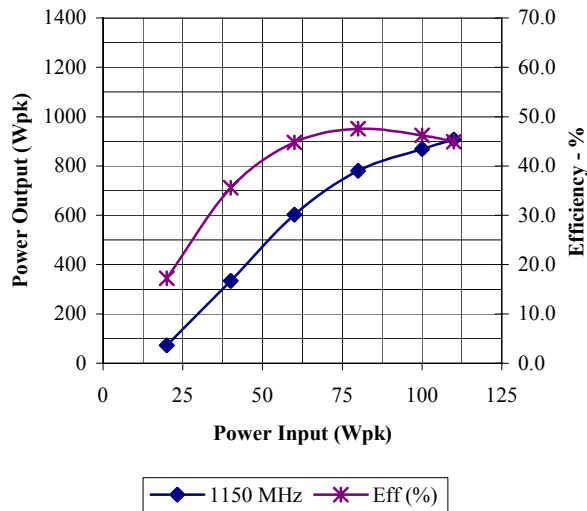
Power Output & Efficiency vs. Power Input
F=1025 MHz

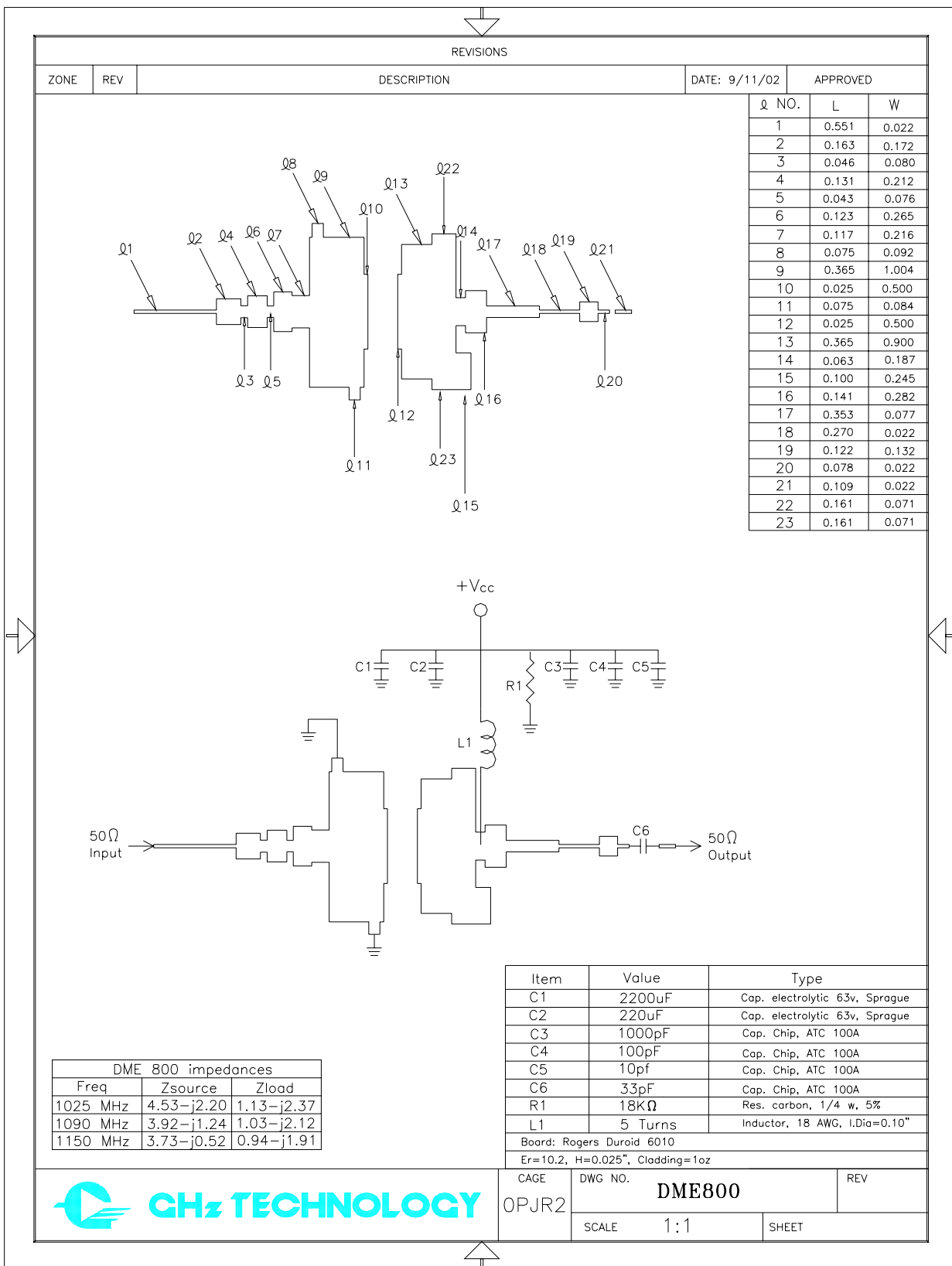


Power Output & Efficiency vs. Power Input
F=1090 MHz

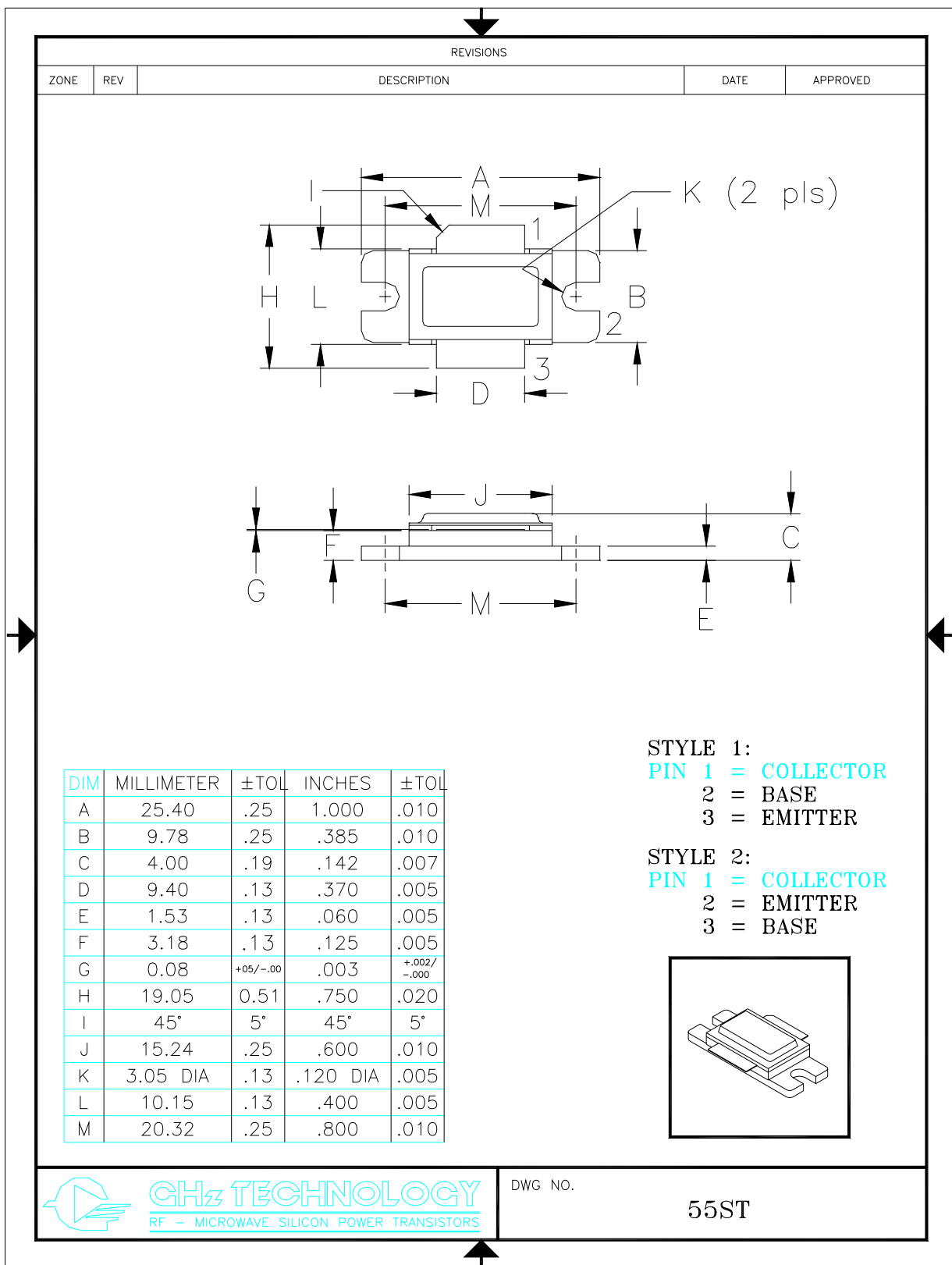


Power Output & Efficiency vs. Power Input
F = 1150 MHz





CAGE	DWG NO.	REV
0PJR2	DME800	
SCALE	1:1	SHEET



GHz TECHNOLOGY
 RF - MICROWAVE SILICON POWER TRANSISTORS

DWG NO.

55ST