

## 1.5A Low Dropout Regulator with Enable

### Features

- 1.5V, 1.8V, 2.5V and Adjustable Outputs
- Over Current and Over Temperature Protection
- 500mV Dropout @1.5A
- Enable Pin
- 16µA Quiescent Current in Shutdown
- TO-263-5 Package

### Applications

- Battery Powered Systems
- Motherboards
- Peripheral Cards
- Network Cards
- Set Top Boxes
- Notebook Computers

### General Description

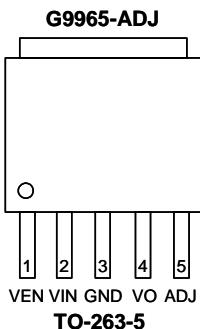
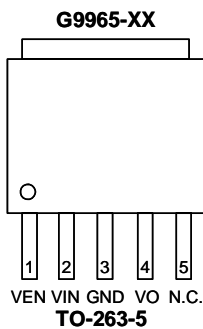
The G9965 is a high performance positive voltage regulator designed for use in applications requiring very low dropout voltage at up to 1.5 Amps. Since it has superior dropout characteristics compared with regular LDOs, it can be used to supply 2.5V from the 3.3V supply, or to supply 1.8V and 1.5V from the 2.5V supply. Thus allowing the elimination of costly heatsinks. An enable pin further reduces power dissipation while shut down. The G9965 provides excellent regulation over variations in line, load and temperature. It provides over current and over temperature protection functions.

The G9965 is available with 1.5V, 1.8V, 2.5V and adjustable outputs in TO-263-5 package.

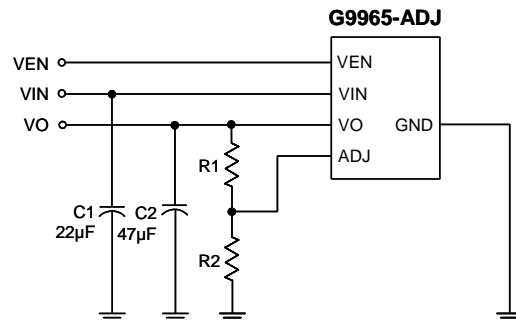
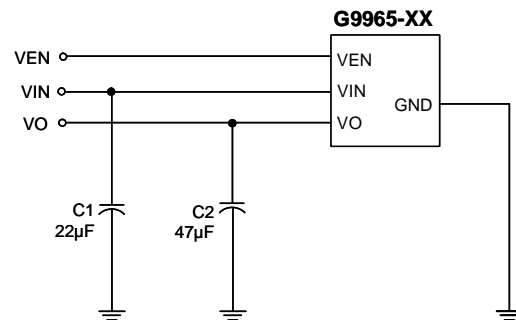
### Ordering Information

ORDER NUMBER	MARKING	TEMP. RANGE	PACKAGE (Pb free)
G9965-15TGU	G9965-15	-40°C ~ +85°C	TO-263-5
G9965-18TGU	G9965-18	-40°C ~ +85°C	TO-263-5
G9965-25TGU	G9965-25	-40°C ~ +85°C	TO-263-5
G9965-ADJTGU	G9965	-40°C ~ +85°C	TO-263-5

### Pin Configuration



### Typical Application Circuit



$$VO = \frac{1.2 (R1+R2)}{R2} \text{ Volts}$$

R2=12KΩ is recommended