

Distributor: [Electro-Stock www.electrostock.com](http://www.electrostock.com) Tel: 630-682-1542 Fax: 630-682-1562

FEATURES:

- Switching capacity up to 30A
- Accommodates standard sized automotive fuse
- Insert mounting footprint
- Suitable for automobile and lamp applications
- Metal mounting tab



35.5 x 25.5 x 21.0mm

CONTACT DATA

Contact Arrangement	1A = SPST N.O.
Contact Rating	30A @ 14VDC
Contact Resistance	< 50 milliohms initial
Contact Material	AgSnO ₂
Maximum Switching Power	420W
Maximum Switching Voltage	75VDC
Maximum Switching Current	30A

COIL DATA

Coil Voltage VDC		Coil Resistance Ω ± 10%	Pick Up Voltage VDC (max) 75% of rated voltage	Release Voltage VDC (min) 10% of rated voltage	Coil Power W	Operate Time ms	Release Time ms
Rated	Max.						
6	7.8	1.8W	3.9	1.2	1.8	7	5
12	15.6	20	7.8	2.4			
24	31.2	80	15.6	4.8			

CAUTION:

1. The use of any coil voltage less than the rated coil voltage may compromise the operation of the relay.
2. Pickup and release voltages are for test purposes only and are not to be used as design criteria.

GENERAL DATA

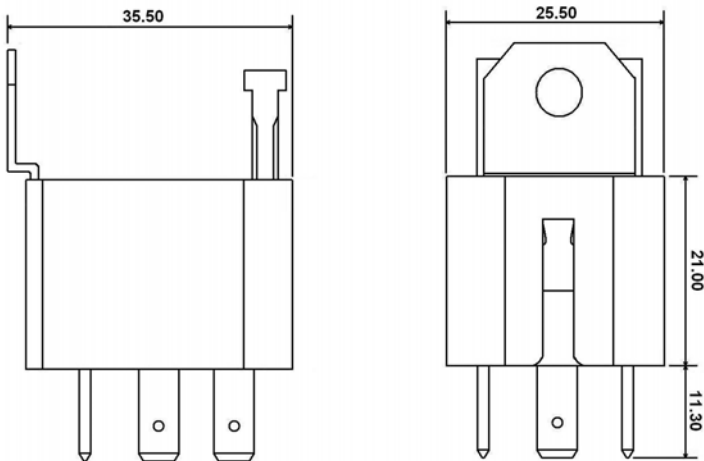
Electrical Life @ rated load	100K cycles, typical
Mechanical Life	10M cycles, typical
Insulation Resistance	100MΩ min @ 500VDC
Dielectric Strength, Coil to Contact	750V rms min. @ sea level
Contact to Contact	500V rms min. @ sea level
Shock Resistance	100m/s ² for 11ms
Vibration Resistance	1.27mm double amplitude 10-40Hz
Terminal (Copper Alloy) Strength	8N
Operating Temperature	-40 °C to + 85 °C
Storage Temperature	-40 °C to + 155 °C
Solderability	230 °C ± 2 °C for 10 ± 0.5s
Weight	32g

Distributor: *Electro-Stock* www.electrostock.com Tel: 630-682-1542 Fax: 630-682-1562

ORDERING INFORMATION

1. Series:	CTA9	1A	S	12VDC	- 30A
CTA9					
2. Contact Arrangement:	1A = SPST N.O.				
3. Sealing Options:	S = Sealed				
4. Coil Voltage:	6VDC 12VDC 24VDC				
5. Fuse Options:	3A 4A 5A 7-1/2A 10A 15A 20A 25A 30A				

DIMENSIONS (Units = mm)



SCHEMATIC (BOTTOM VIEW)

