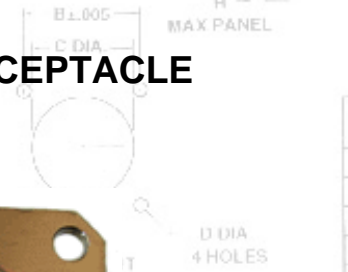




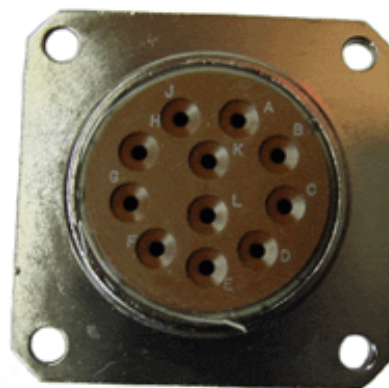
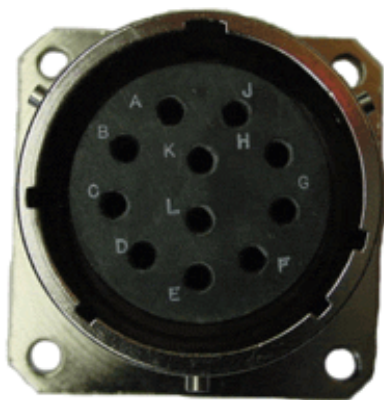
Allen Electric Connector Sales, inc.



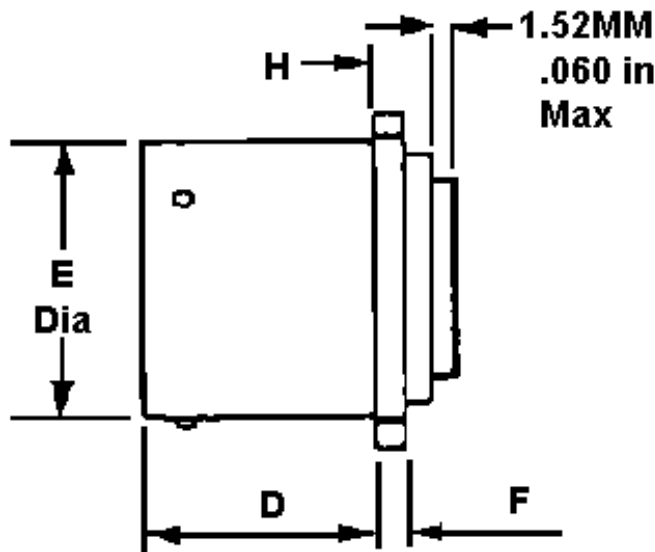
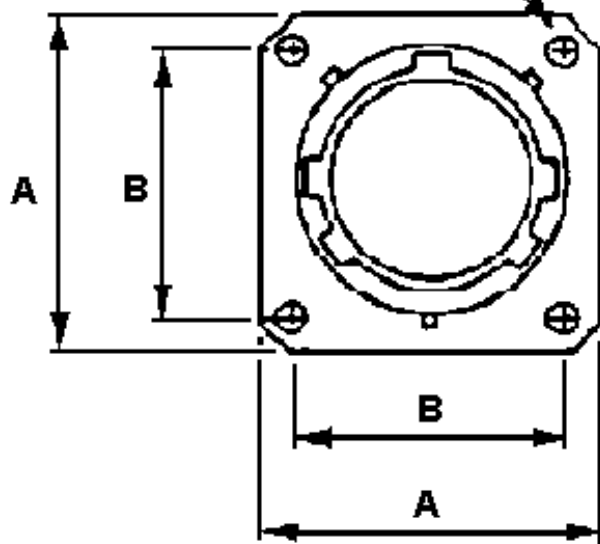
MS27505 SERIES I BACK PANEL BOX MOUNTING FLANGE RECEPTACLE



D DIA
4 HOLES



4 Holes
Dia C



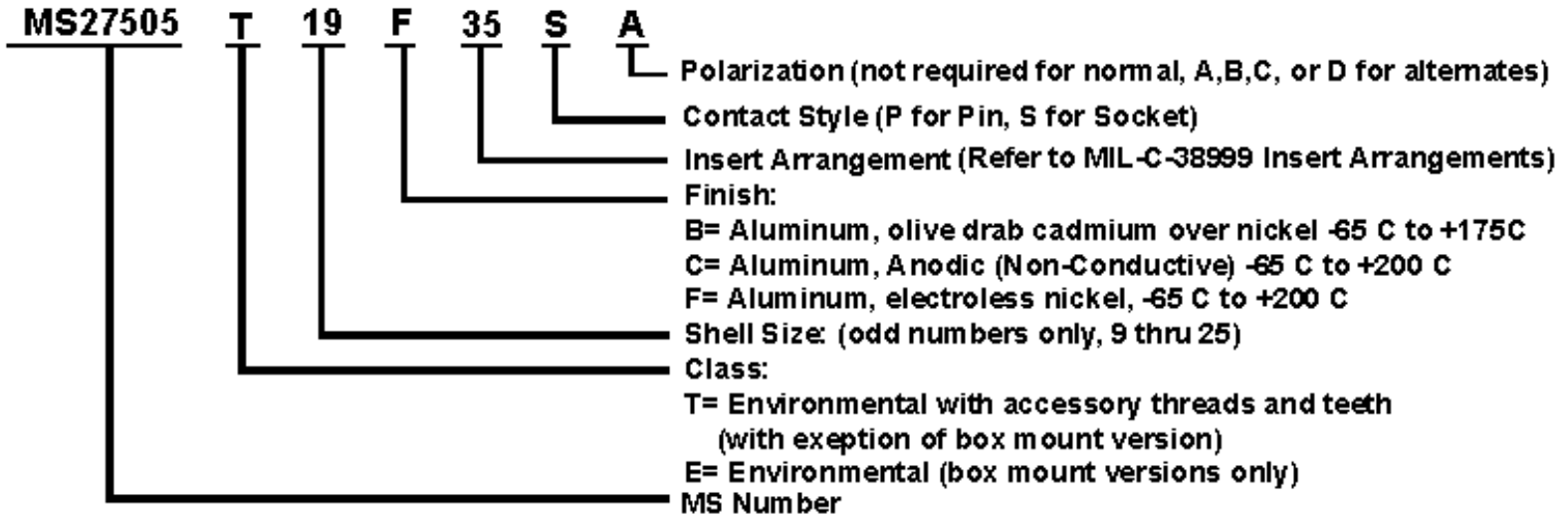
| SHELL SIZE | A THREAD CLASS 2A UNEF | A MAX DIA | | B NOM. CRS | | C MIN DIA | | D MAX | | E MAX DIA | | F MAX | |
|------------|------------------------|-----------|-------|------------|-------|-----------|------|-------|------|-----------|-------|-------|------|
| | | INCH | MM | INCH | MM | INCH | MM | INCH | MM | INCH | MM | INCH | MM |
| 9 | .4375-28 | .958 | 24.33 | .719 | 18.26 | .123 | 3.13 | 0.82 | 2.54 | .573 | 14.55 | .100 | 2.54 |
| 11 | .5625-24 | 1.051 | 26.69 | .812 | 20.62 | .123 | 3.13 | 0.82 | 2.54 | .701 | 17.80 | .100 | 2.54 |
| 13 | .6875-24 | 1.145 | 29.08 | .906 | 23.01 | .123 | 3.13 | 0.82 | 2.54 | .851 | 21.61 | .100 | 2.54 |

| | | | | | | | | | | | | | | |
|----|---|-----------|-------|-------|-------|-------|------|------|------|------|-------|-------|------|------|
| 15 | A | .81250-20 | 1.239 | 31.47 | .969 | 24.61 | .123 | 3.13 | 0.82 | 2.54 | .976 | 24.79 | .100 | 2.54 |
| 17 | | .9375-20 | 1.332 | 33.83 | 1.062 | 26.97 | .123 | 3.13 | 0.82 | 2.54 | 1.101 | 27.96 | .100 | 2.54 |
| 19 | | 1.0625-18 | 1.458 | 37.03 | 1.156 | 29.36 | .123 | 3.13 | 0.82 | 2.54 | 1.208 | 30.68 | .100 | 2.54 |
| 21 | | 1.875-18 | 1.582 | 40.18 | 1.250 | 31.75 | .123 | 3.13 | 0.79 | 3.3 | 1.333 | 33.85 | 1.30 | 3.30 |
| 23 | | 1.3125-18 | 1.708 | 43.38 | 1.375 | 34.93 | .142 | 3.61 | 0.79 | 3.3 | 1.458 | 37.03 | 1.30 | 3.30 |
| 25 | | 1.4375-18 | 1.832 | 46.53 | 1.500 | 38.10 | .142 | 3.61 | 0.79 | 3.3 | 1.583 | 40.20 | 1.30 | 3.30 |

- [MIL-C-38999 Insert and Contact Identification](#)
- [MIL-C-38999 Insert Arrangements](#)
- [MIL-C-38999 Contacts, Tooling, Wire Sizes, Sealing Plugs](#)
- [MIL-C-38999 Series I Locksmith Keying Polarization](#)
- [MIL-C-38999 Series I Panel Cut-Out Dimensions](#)
- [Series I & II Strain Reliefs](#)

| SHELL SIZE | A | B | C | D | E | F | G | H | J |
|------------|-------|-------|-------|-----|-------|------|------|------|---------------|
| 16 | 1.234 | .969 | 1.115 | .20 | 1.215 | .446 | .062 | .387 | 1.25 UNEF |
| 18 | 1.328 | 1.062 | 1.216 | .20 | 1.215 | .446 | .062 | .387 | 1.116-18 UNLF |
| 20 | 1.413 | 1.150 | 1.363 | .20 | 1.275 | .522 | .094 | .212 | 1.316-18 UNLF |
| 22 | 1.478 | 1.250 | 1.485 | .20 | 1.275 | .522 | .094 | .212 | 1.516-18 UNLF |

MILITARY PART NUMBERING SYSTEM



For pricing and availability, please fill out our RFQ form



If you need any other information, please **E-Mail** aecs@aecsinc.com



phone (760) 430-8357 or fax (760) 430-8359

We look forward to hearing from you!



| SHELL SIZE | A | B | C | D | E | F | G | H | J |
|------------|-------|-------|-------|-----|-------|------|------|------|---------------|
| 8 | .820 | .554 | | | | | | .087 | 1/2-20 UNF |
| 10 | .954 | .719 | | | | | | .087 | 5/8-24 UNEF |
| 12 | 1.047 | .812 | | | | | | .087 | 3/4-20 UNEF |
| 14 | 1.141 | .906 | | | | | | .087 | 7/8-20 UNEF |
| 16 | 1.234 | .969 | | | | | | .087 | 1-20 UNEF |
| 18 | 1.328 | 1.062 | 1.115 | .20 | 1.215 | .446 | .062 | .387 | 1.116-18 UNLF |
| 20 | 1.413 | 1.150 | 1.363 | .20 | 1.275 | .522 | .094 | .212 | 1.316-18 UNLF |
| 22 | 1.478 | 1.250 | 1.485 | .20 | 1.275 | .522 | .094 | .212 | 1.516-18 UNLF |