

ISDN U Interface Hybrid

APC13102

FEATURES

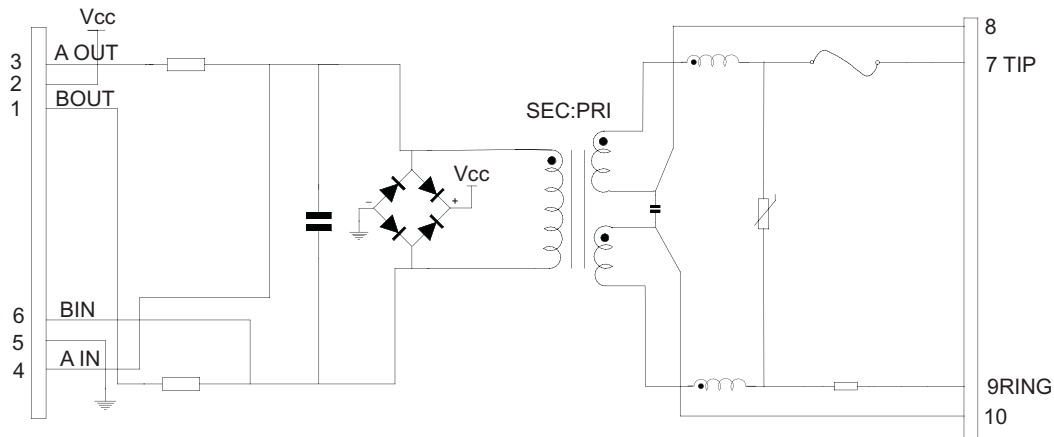
- Integrated single component ISDN U Interface solution designed to interface Motorola's MC145572 U Interface Transceiver to the network.
- Designed to meet ANSI test loops 1-15
- Designed to be Bellcore compliant
- Designed for use with MC145572
- Integral high frequency emi choke

ELECTRICAL SPECIFICATIONS @ 25°C
OPERATING TEMPERATURE -40°C TO +85°C
STORAGE TEMPERATURE -40°C TO +85°C

Transformer						Choke	
Turns Ratio +/- 5% SEC:PRI	Primary Inductance mH min	Leakage Inductance uH max	PRI DCR OHMS +/-20%	SEC DCR OHMS +/-20%	DC BIAS mA max	Inductance per line mH nom	DCR per line OHMS
1:0.625:0.625	26.5	70	27.0	13.5	40	0.04	0.5

NOTES: ISOLATION PRI:SEC 1500VRMS.
 UL CERTIFIED TO UL 1459 THIRD EDITION AND UL 1950 SECOND EDITION WITH D3 DEVIATIONS
 UL FILE NUMBER E175058

SCHEMATIC



MECHANICAL

