

2SC5628

Silicon NPN Epitaxial
High Frequency Amplifier / Oscillator

HITACHI

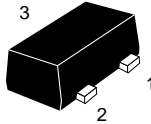
ADE-208-979A (Z)
2nd. Edition
April 2001

Features

- Super compact package;
(1.4 × 0.8 × 0.59mm)
- High power gain and low noise figure;
(PG = 9 dB, NF = 1.1 dB typ, at f = 900 Mhz, V_{CE} = 1 V)

Outline

MFPAK



1. Emitter
2. Base
3. Collector

Note: Marking is "XZ-".

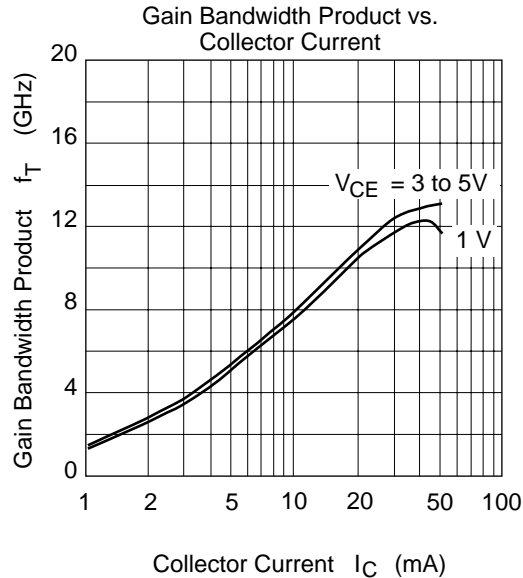
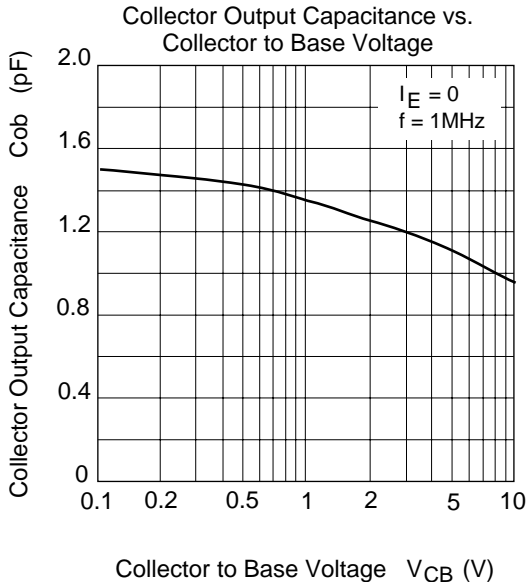
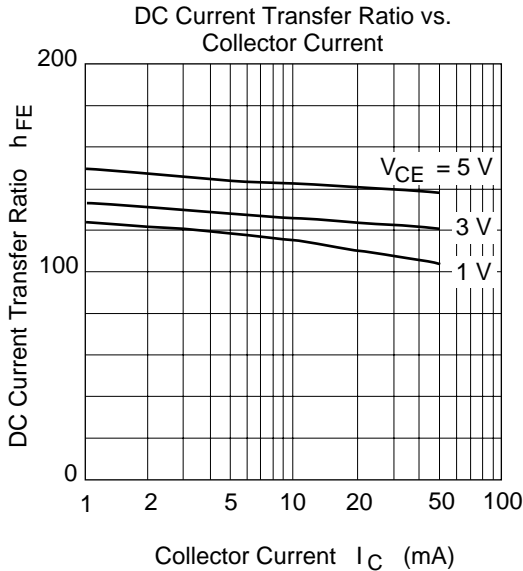
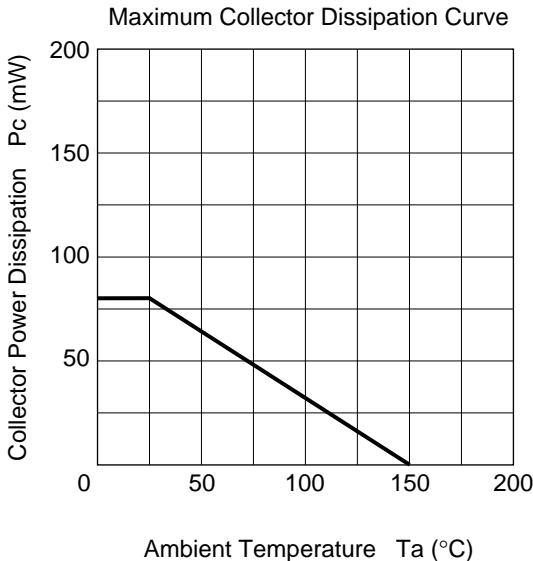
Absolute Maximum Ratings ($T_a = 25^\circ\text{C}$)

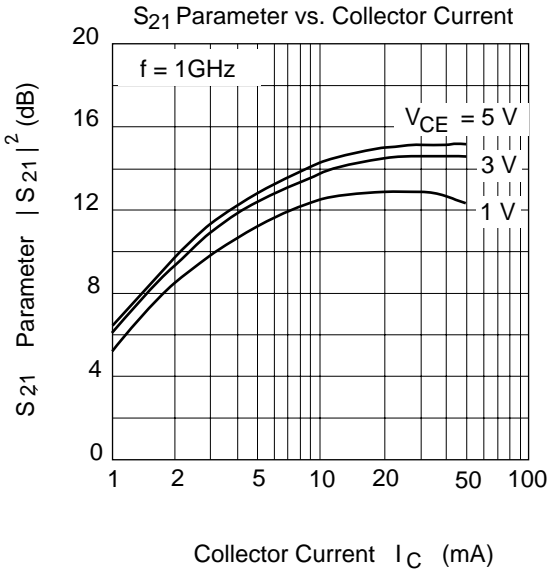
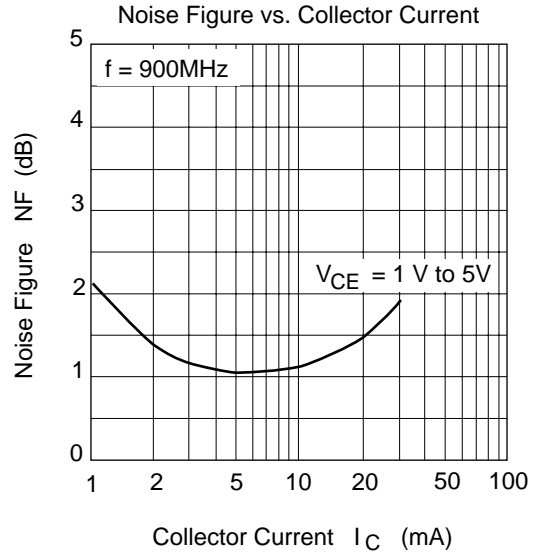
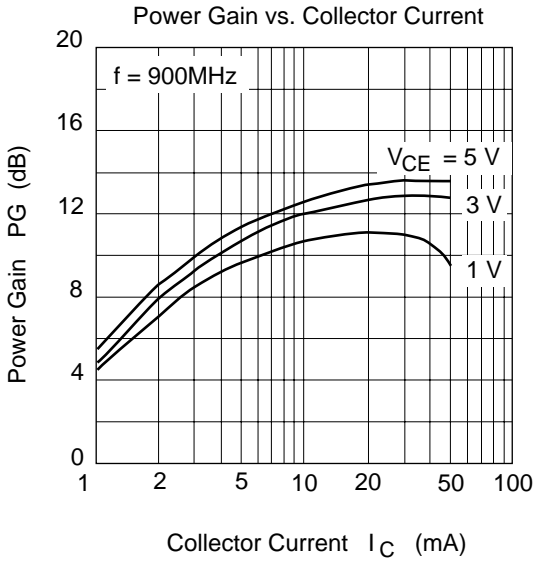
Item	Symbol	Ratings	Unit
Collector to base voltage	V_{CBO}	15	V
Collector to emitter voltage	V_{CEO}	8	V
Emitter to base voltage	V_{EBO}	1.5	V
Collector current	I_C	50	mA
Collector power dissipation	P_c	80	mW
Junction temperature	T_j	150	$^\circ\text{C}$
Storage temperature	T_{stg}	-55 to +150	$^\circ\text{C}$

Electrical Characteristics ($T_a = 25^\circ\text{C}$)

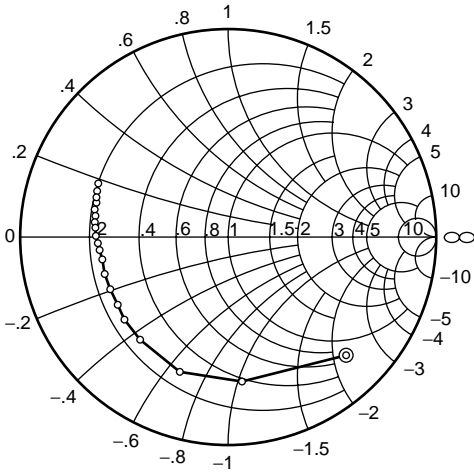
Item	Symbol	Min	Typ	Max	Unit	Test Conditions
Collector to base breakdown voltage	$V_{(BR)CBO}$	15	—	—	V	$I_C = 10\mu\text{A}$, $I_E = 0$
Collector cutoff current	I_{CBO}	—	—	1	μA	$V_{CB} = 12\text{V}$, $I_E = 0$
Collector cutoff current	I_{CEO}	—	—	1	mA	$V_{CE} = 8\text{V}$, $R_{BE} = \infty$
Emitter cutoff current	I_{EBO}	—	—	10	μA	$V_{EB} = 1.5\text{V}$, $I_C = 0$
DC current transfer ratio	h_{FE}	50	100	160	V	$V_{CE} = 1\text{V}$, $I_C = 5\text{mA}$
Collector output capacitance	C_{ob}	—	0.55	0.85	pF	$V_{CB} = 1\text{V}$, $I_E = 0$ $f = 1\text{MHz}$
Gain bandwidth product	f_T	6	9	—	GHz	$V_{CE} = 1\text{V}$, $I_C = 5\text{mA}$
Power gain	PG	11	14	—	dB	$V_{CE} = 1\text{V}$, $I_C = 5\text{mA}$ $f = 900\text{MHz}$
Noise figure	NF	—	1.1	2.0	dB	$V_{CE} = 1\text{V}$, $I_C = 5\text{mA}$ $f = 900\text{MHz}$

Main Characteristics





S11 Parameter vs. Frequency

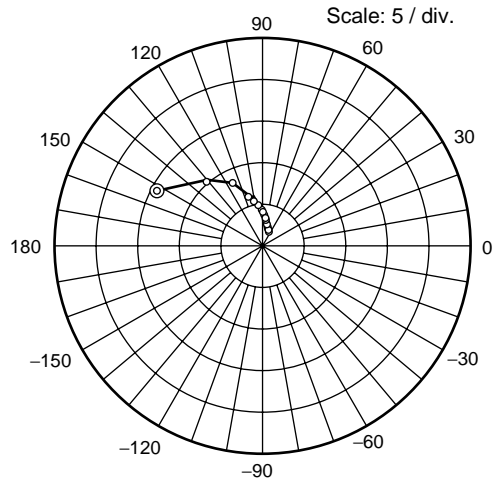


Condition : $V_{CE} = 1\text{ V}$, $I_C = 5\text{ mA}$

100 to 2000 MHz (100 MHz step)

⊙—○

S21 Parameter vs. Frequency

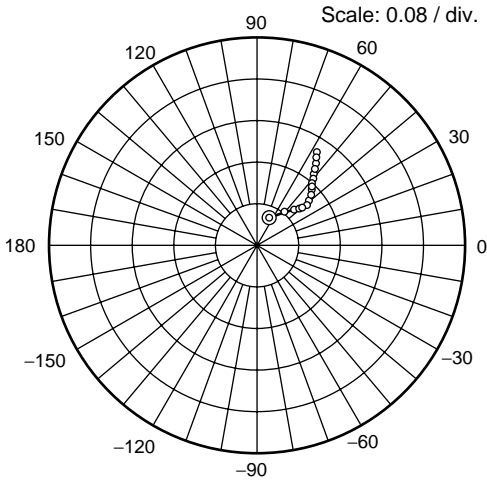


Condition : $V_{CE} = 1\text{ V}$, $I_C = 5\text{ mA}$

100 to 2000 MHz (100 MHz step)

⊙—○

S12 Parameter vs. Frequency

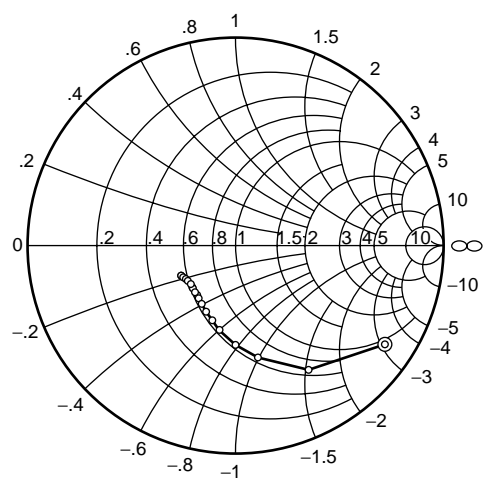


Condition : $V_{CE} = 1\text{ V}$, $I_C = 5\text{ mA}$

100 to 2000 MHz (100 MHz step)

⊙—○

S22 Parameter vs. Frequency

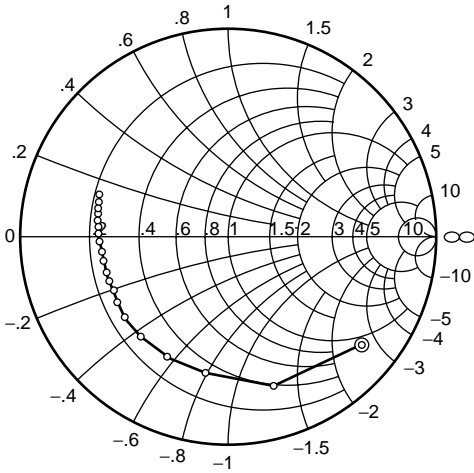


Condition : $V_{CE} = 1\text{ V}$, $I_C = 5\text{ mA}$

100 to 2000 MHz (100 MHz step)

⊙—○

S11 Parameter vs. Frequency

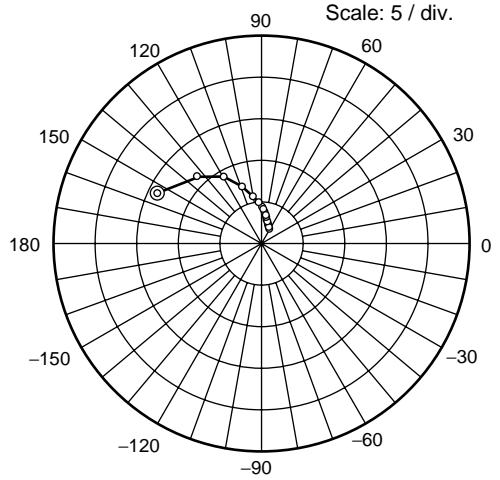


Condition : $V_{CE} = 3\text{ V}$, $I_C = 5\text{ mA}$

100 to 2000 MHz (100 MHz step)



S21 Parameter vs. Frequency

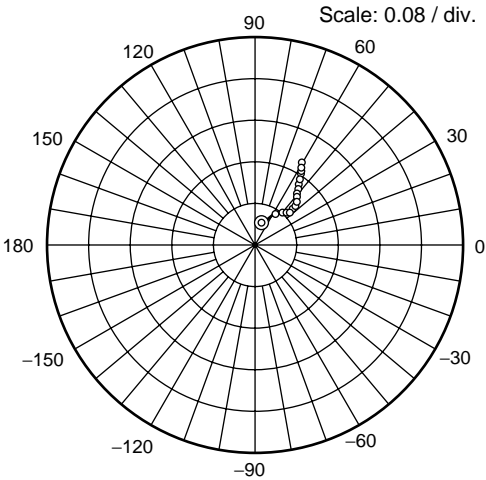


Condition : $V_{CE} = 3\text{ V}$, $I_C = 5\text{ mA}$

100 to 2000 MHz (100 MHz step)



S12 Parameter vs. Frequency

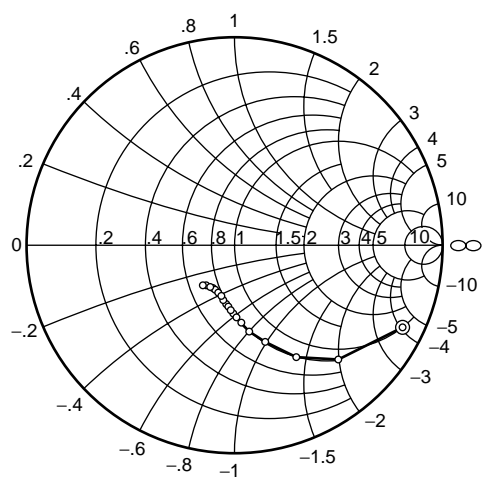


Condition : $V_{CE} = 3\text{ V}$, $I_C = 5\text{ mA}$

100 to 2000 MHz (100 MHz step)



S22 Parameter vs. Frequency



Condition : $V_{CE} = 3\text{ V}$, $I_C = 5\text{ mA}$

100 to 2000 MHz (100 MHz step)



Sparameter ($V_{CE} = 1 \text{ V}$, $I_C = 5 \text{ mA}$, $Z_o = 50 \Omega$)

f (MHz)	S11		S21		S12		S22	
	MAG	ANG	MAG	ANG	MAG	ANG	MAG	ANG
100	0.815	-46.1	13.63	152.2	0.0509	67.0	0.882	-32.5
200	0.734	-84.6	10.68	130.6	0.0834	51.0	0.695	-58.5
300	0.692	-111.2	8.23	116.8	0.0998	42.9	0.550	-76.0
400	0.665	-127.4	6.58	107.9	0.108	39.5	0.459	-88.5
500	0.650	-139.6	5.44	101.4	0.114	38.0	0.399	-98.1
600	0.644	-148.8	4.61	96.3	0.120	38.3	0.360	-105.7
700	0.640	-155.6	4.03	92.2	0.124	39.0	0.333	-112.2
800	0.641	-161.6	3.56	88.6	0.128	39.9	0.315	-117.8
900	0.638	-166.9	3.20	85.3	0.134	41.8	0.301	-122.4
1000	0.638	-171.6	2.90	82.2	0.138	43.5	0.292	-126.7
1100	0.643	-175.1	2.66	79.6	0.143	44.4	0.286	-130.2
1200	0.643	-178.5	2.46	77.2	0.149	46.2	0.280	-133.6
1300	0.648	178.5	2.28	74.9	0.154	47.8	0.279	-135.6
1400	0.651	175.4	2.15	72.8	0.161	49.1	0.278	-138.6
1500	0.658	173.2	2.03	70.5	0.168	50.9	0.277	-140.9
1600	0.663	170.0	1.92	68.5	0.174	51.8	0.279	-143.3
1700	0.667	167.2	1.82	66.7	0.182	53.2	0.281	-145.0
1800	0.669	165.0	1.74	64.4	0.189	54.6	0.282	-147.1
1900	0.673	163.1	1.67	63.2	0.196	55.5	0.286	-149.3
2000	0.682	161.0	1.60	61.4	0.204	56.4	0.289	-150.6

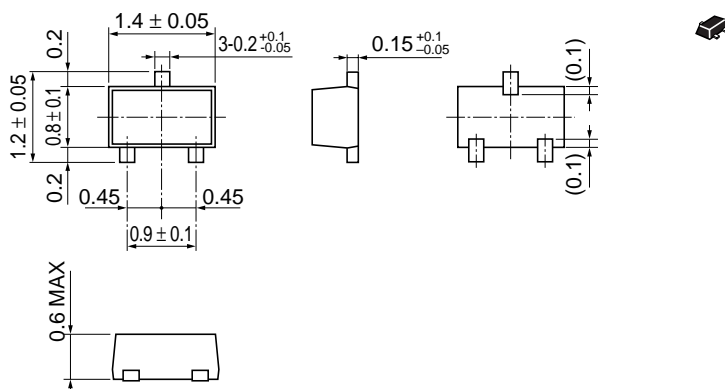
2SC5628

Sparameter ($V_{CE} = 3 \text{ V}$, $I_C = 5 \text{ mA}$, $Z_o = 50 \Omega$)

f (MHz)	S11		S21		S12		S22	
	MAG	ANG	MAG	ANG	MAG	ANG	MAG	ANG
100	0.826	-39.3	14.04	155.5	0.0412	69.9	0.906	-25.8
200	0.746	-74.6	11.47	134.9	0.0700	54.9	0.738	-47.3
300	0.685	-100.5	9.14	121.1	0.0864	46.7	0.591	-61.9
400	0.646	-117.4	7.41	111.9	0.0950	43.0	0.490	-71.9
500	0.627	-130.7	6.19	104.8	0.101	41.3	0.419	-79.9
600	0.617	-141.0	5.27	99.6	0.107	41.3	0.369	-85.7
700	0.606	-149.0	4.61	95.0	0.111	41.6	0.333	-90.7
800	0.598	-155.4	4.09	91.6	0.115	42.5	0.307	-95.3
900	0.605	-161.3	3.67	87.7	0.120	44.3	0.287	-99.0
1000	0.604	-166.1	3.35	84.7	0.124	45.6	0.273	-102.6
1100	0.604	-170.6	3.06	81.8	0.129	46.8	0.262	-106.0
1200	0.607	-174.2	2.83	79.5	0.134	49.0	0.253	-108.8
1300	0.605	-178.2	2.62	77.1	0.139	50.4	0.249	-111.0
1400	0.608	178.9	2.47	74.9	0.145	51.9	0.245	-114.3
1500	0.618	175.5	2.32	72.7	0.152	53.4	0.242	-116.6
1600	0.622	172.4	2.19	70.7	0.157	54.8	0.241	-118.9
1700	0.627	170.0	2.08	68.9	0.164	56.2	0.241	-121.3
1800	0.629	166.9	1.99	66.7	0.171	57.6	0.242	-123.4
1900	0.633	164.3	1.90	65.2	0.177	58.7	0.243	-125.9
2000	0.641	162.3	1.82	63.4	0.186	59.5	0.245	-127.7

Package Dimensions

Unit: mm



Hitachi Code	MFPAK
JEDEC	—
EIAJ	—
Mass (reference value)	0.0016 g

Cautions

1. Hitachi neither warrants nor grants licenses of any rights of Hitachi's or any third party's patent, copyright, trademark, or other intellectual property rights for information contained in this document. Hitachi bears no responsibility for problems that may arise with third party's rights, including intellectual property rights, in connection with use of the information contained in this document.
2. Products and product specifications may be subject to change without notice. Confirm that you have received the latest product standards or specifications before final design, purchase or use.
3. Hitachi makes every attempt to ensure that its products are of high quality and reliability. However, contact Hitachi's sales office before using the product in an application that demands especially high quality and reliability or where its failure or malfunction may directly threaten human life or cause risk of bodily injury, such as aerospace, aeronautics, nuclear power, combustion control, transportation, traffic, safety equipment or medical equipment for life support.
4. Design your application so that the product is used within the ranges guaranteed by Hitachi particularly for maximum rating, operating supply voltage range, heat radiation characteristics, installation conditions and other characteristics. Hitachi bears no responsibility for failure or damage when used beyond the guaranteed ranges. Even within the guaranteed ranges, consider normally foreseeable failure rates or failure modes in semiconductor devices and employ systemic measures such as fail-safes, so that the equipment incorporating Hitachi product does not cause bodily injury, fire or other consequential damage due to operation of the Hitachi product.
5. This product is not designed to be radiation resistant.
6. No one is permitted to reproduce or duplicate, in any form, the whole or part of this document without written approval from Hitachi.
7. Contact Hitachi's sales office for any questions regarding this document or Hitachi semiconductor products.

HITACHI

Hitachi, Ltd.

Semiconductor & Integrated Circuits
Nippon Bldg., 2-6-2, Ohte-machi, Chiyoda-ku, Tokyo 100-0004, Japan
Tel: (03) 3270-2111 Fax: (03) 3270-5109

URL NorthAmerica : <http://semiconductor.hitachi.com/>
 Europe : <http://www.hitachi-eu.com/hel/ecg>
 Asia : <http://sicapac.hitachi-asia.com>
 Japan : <http://www.hitachi.co.jp/Sicd/indx.htm>

For further information write to:

Hitachi Semiconductor
(America) Inc.
179 East Tasman Drive
San Jose, CA 95134
Tel: <1> (408) 433-1990
Fax: <1> (408) 433-0223

Hitachi Europe Ltd.
Electronic Components Group
Whitebrook Park
Lower Cookham Road
Maidenhead
Berkshire SL6 8YA, United Kingdom
Tel: <44> (1628) 585000
Fax: <44> (1628) 585200

Hitachi Europe GmbH
Electronic Components Group
Dornacher Straße 3
D-85622 Feldkirchen, Munich
Germany
Tel: <49> (89) 9 9180-0
Fax: <49> (89) 9 29 30 00

Hitachi Asia Ltd.
Hitachi Tower
16 Collyer Quay #20-00
Singapore 049318
Tel: <65>-538-6533/538-8577
Fax: <65>-538-6933/538-3877
URL: <http://www.hitachi.com.sg>

Hitachi Asia Ltd.
(Taipei Branch Office)
4/F, No. 167, Tun Hwa North Road
Hung-Kuo Building
Taipei (105), Taiwan
Tel: <886>-(2)-2718-3666
Fax: <886>-(2)-2718-8180
Telex: 23222 HAS-TP
URL: <http://www.hitachi.com.tw>

Hitachi Asia (Hong Kong) Ltd.
Group III (Electronic Components)
7/F., North Tower
World Finance Centre,
Harbour City, Canton Road
Tsim Sha Tsui, Kowloon
Hong Kong
Tel: <852>-(2)-735-9218
Fax: <852>-(2)-730-0281
URL: <http://semiconductor.hitachi.com.hk>

Copyright ' Hitachi, Ltd., 2001. All rights reserved. Printed in Japan.

Colophon 4.0

This datasheet has been download from:

www.datasheetcatalog.com

Datasheets for electronics components.