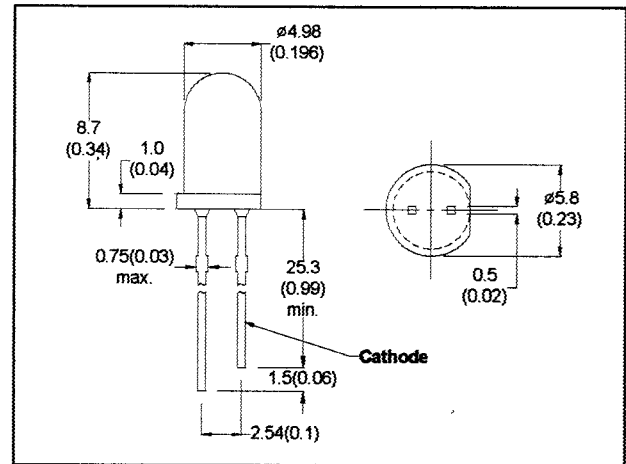


DESCRIPTION

MOB51CRAH and MOB51DRAH are AlGaInP super orange LED lamp encapsulated in a 5mm diameter, round type lens.

MOB51CRAH with red transparent lens and MOB51DRAH with red diffused lens.



- All Dimension in mm (inch)
- No Scale
- Tol : +/- 0.3mm

ABSOLUTE MAXIMUM RATINGS

Power Dissipation @ Ta=25°C	90mW
Forward Current, DC (IF)	30mA
Reverse Voltage	5V
Operating & Storage Temperature Range	-55 to +100°C
Lead Soldering Temperature (1/16" from body)	260°C for 5 sec.

ELECTRO-OPTICAL CHARACTERISTICS (Ta=25°C)

PARAMETER	SYMBOL	MOB51CRAH	MOB51DRAH	UNIT	CONDITIONS
Forward Voltage	MAX VF	3.0	3.0	V	IF=20mA
Reverse Breakdown Voltage	MIN BVR	5	5	V	IR=100μA
Luminous Intensity	MIN IV	3500	500	mcd	IF=20mA
	TYP	5000	700	mcd	IF=20mA
Peak Wavelength	TYP λp	625	625	nm	IF=20mA
Spectral Line Half Width	TYP Δλ	17	17	nm	IF=20mA
Viewing Angle	TYP 2θ 1/2	20	40	degree	IF=20mA

Rev.A.

MICRO ELECTRONICS LTD.

38, Hung To Road, Microtron Building, Kwun Tong, Kowloon, Hong Kong.

Kwun Tong P.O. Box 69477 Hong Kong. Fax No. 2341 0321 Telex:43510 Micro Hx. Tel: 2343 0181-5

Sep-99