

2V Operation Clock-less Switching Driver for Class D Amplifier

■ GENERAL DESCRIPTION

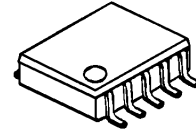
The **NJU8710** is a 2V operation clock-less switching driver for a class D Amplifier with separated power supply between Input and Output.

The **NJU8710** provides powerful drivability in both of sink and source without flow-through current. Therefore, it can be used to the buffer or the switch as a driver IC.

Furthermore it converts 1bit digital signal input, such as PWM or PDM signal, to analog signal output of the hi-fi audio level through a simple external LC low-pass filter.

The **NJU8710** realizes very high power-efficiency because of the class D operation and low voltage operation. Therefore, it is suitable for battery powered applications and others.

■ PACKAGE OUTLINE

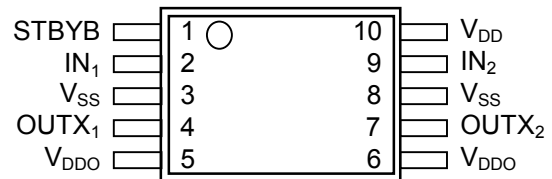


NJU8710R

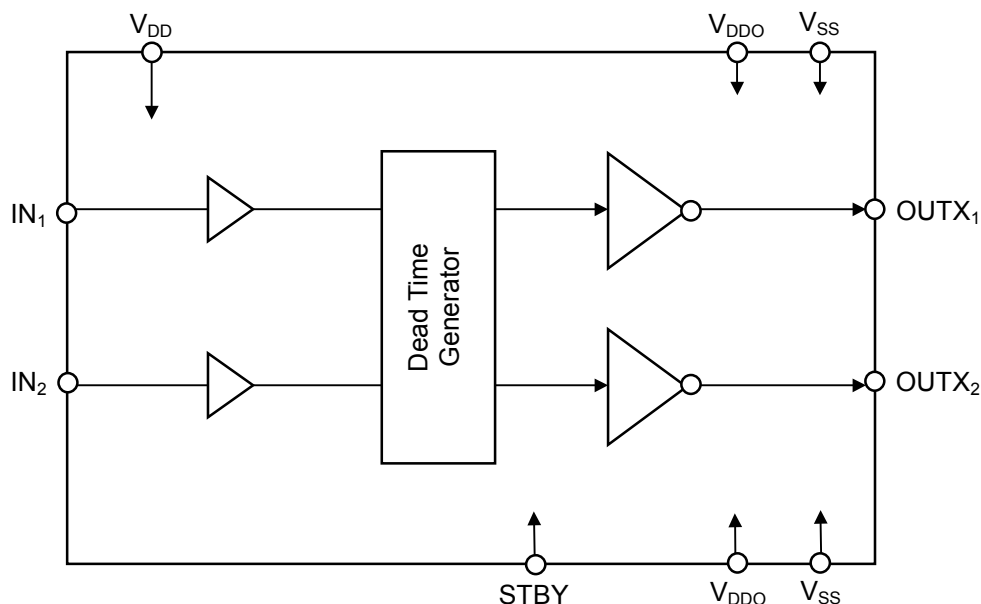
■ FEATURES

- 2-channel 1bit Digital Signal Input
- Standby(Hi-Z) Control function
- Operating Voltage : 1.7V to 2.7V
- Driving Voltage : 1.7V to V_{DD}
- CMOS Technology
- Package Outline : VSP10

■ PIN CONFIGURATION



■ BLOCK DIAGRAM



■ TERMINAL DESCRIPTION

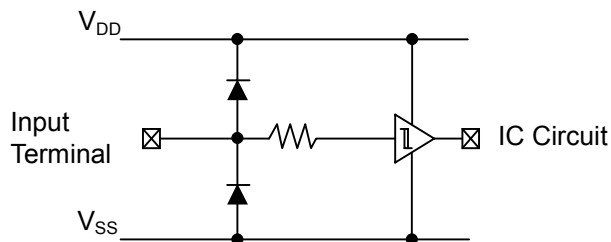
No.	SYMBOL	I/O	Function
10	V_{DD}	–	Power Supply: $V_{DD}=2V$
5 6	V_{DDO}	–	Output Power Supply: $V_{DDO}=2V$
3 8	V_{SS}	–	Power GND and Output GND terminal: $V_{SS}=0V$
2 9	IN_1 IN_2	I	1-bit Data Input Terminal
4 7	$OUTX_1$ $OUTX_2$	O	Output Terminal $OUTX_1$ terminal outputs the inverted signal of IN_1 terminal, $OUTX_2$ terminal outputs the inverted signal of IN_2 terminal.
1	STBYB	I	Standby Control Terminal (L:Standby)

* V_{SS} (Terminal No.3,8) should be connected at a nearest point to the IC.

* V_{DDO} (Terminal No.5,6) should be connected at a nearest point to the IC.

*STBYB(Terminal No.1) must be connected to V_{DD} , when this function is not used.

■ INPUT TERMINAL STRUCTURE



■ FUNCTIONAL DESCRIPTION

(1) Signal Output ($OUTX_1$, $OUTX_2$ Terminal)

Output signal becomes an inverted input signal. A flow-through current at the signal polarity transition doesn't generate by optimized dead time control circuit. Output signal is converted to analog signal via external 2nd-order or higher LC filter.

A switching regulator with a high response against a voltage fluctuation is the best selection for the V_{DDO} , which is the power supply for output drivers. To obtain better T.H.D. performance, the stabilization of the power is required.

(2) Standby Control Function

By setting the STBYB terminal to "L", the NJU8710 becomes standby condition. During standby condition, $OUTX_1$ and $OUTX_2$ are in Hi-Z.

■ ABSOLUTE MAXIMUM RATINGS

(Ta=25°C)

PARAMETER	SYMBOL	RATING	UNIT
Supply Voltage	V _{DD}	-0.3 to +4.0	V
	V _{DDO}	-0.3 to +2.7	V
Input Voltage	V _{in}	-0.3 to V _{DD} +0.3	V
Operating Temperature	T _{opr}	-40 to +85	°C
Storage Temperature	T _{stg}	-40 to +125	°C
Power Dissipation	VSP10 P _D	450*	mW
Power Supply Voltage Condition	-	V _{DD} ≥ V _{DDO}	V

* : Mounted on two-layer board of based on the JEDEC.

Note 1) All voltage values are specified as V_{SS}=0V.

Note 2) If the LSI is used on condition beyond the absolute maximum rating, the LSI may be destroyed. Using LSI within electrical characteristics is strongly recommended for normal operation. Use beyond the electrical characteristics conditions will cause malfunction and poor reliability.

Note 3) De-coupling capacitors should be connected between V_{DD}-V_{SS} and V_{DDO}-V_{SS} due to the stabilized operation.

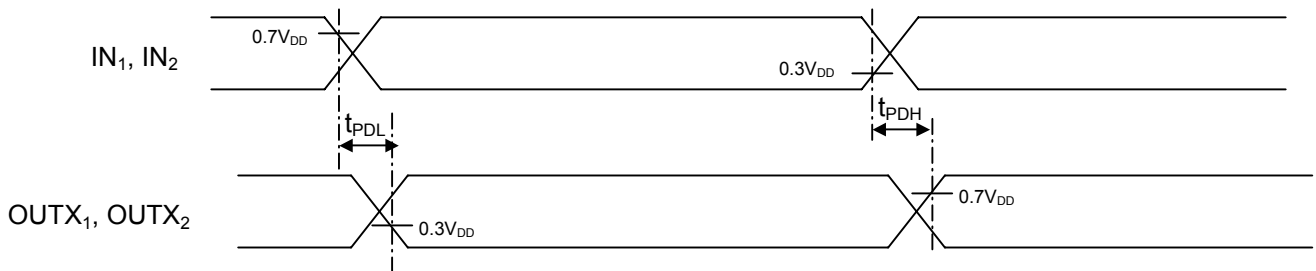
■ ELECTRICAL CHARACTERISTICS

(Ta=25°C, V_{DD}=V_{DDO}=2.0V, V_{SS}=0.0V, unless otherwise noted)

PARAMETER	SYMBOL	CONDITIONS	MIN.	TYP.	MAX.	UNIT
V _{DD} Supply Voltage	V _{DD}		1.7	2.0	2.7	V
V _{DDO} Supply Voltage	V _{DDO}		1.7	2.0	V _{DD}	V
Output Driver High side Resistance	R _H	V _{OUT} =V _{DDO} -0.1V	-	1.5	2	Ω
Output Driver Low side Resistance	R _L	V _{OUT} =0.1V	-	1.5	2	Ω
Operating Current at Hi-Z Output	I _{ST}	IN ₁ , IN ₂ , STBYB="L"	-	-	1	μA
Operating Current at no input signal	I _{DD}	No-load operating, IN ₁ =IN ₂ =1.4MHz	-	0.05	T.B.D	mA
	I _{DDO}		-	0.6	T.B.D	
Input Voltage	V _{IH}		0.7V _{DD}	-	V _{DD}	V
	V _{IL}		0	-	0.3V _{DD}	V
Input Leakage Current	I _{LK}		-	-	±1	μA

■ TIMING CHARACTERISTICS

- Signal Spread Characteristics



($T_a=25^{\circ}\text{C}$, $V_{DD}=V_{DDO}=2.0\text{V}$, $V_{SS}=0.0\text{V}$ unless otherwise noted)

PARAMETER	SYMBOL	CONDITIONS	MIN.	TYP.	MAX.	UNIT
Maximum Operating Frequency	f_{Max}		-	-	25	MHz
Signal Spread Time (H → L)	t_{PDL}		-	-	20	ns
Signal Spread Time (L → H)	t_{PDH}		-	-	20	ns

- Output Control Signal Input (STBYB)

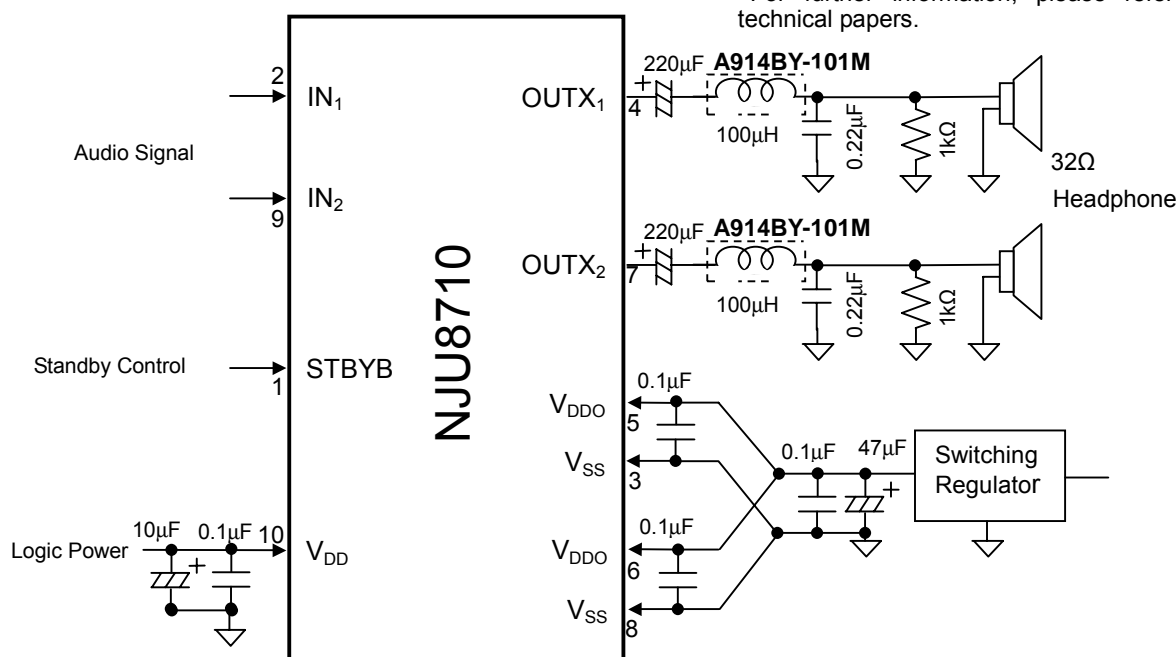


($T_a=25^{\circ}\text{C}$, $V_{DD}=V_{DDO}=2.0\text{V}$, $V_{SS}=0.0\text{V}$ unless otherwise noted)

PARAMETER	SYMBOL	CONDITIONS	MIN.	TYP.	MAX.	UNIT
Rise Time	t_{UP}		-	-	50	ns
Fall Time	t_{DN}		-	-	50	ns

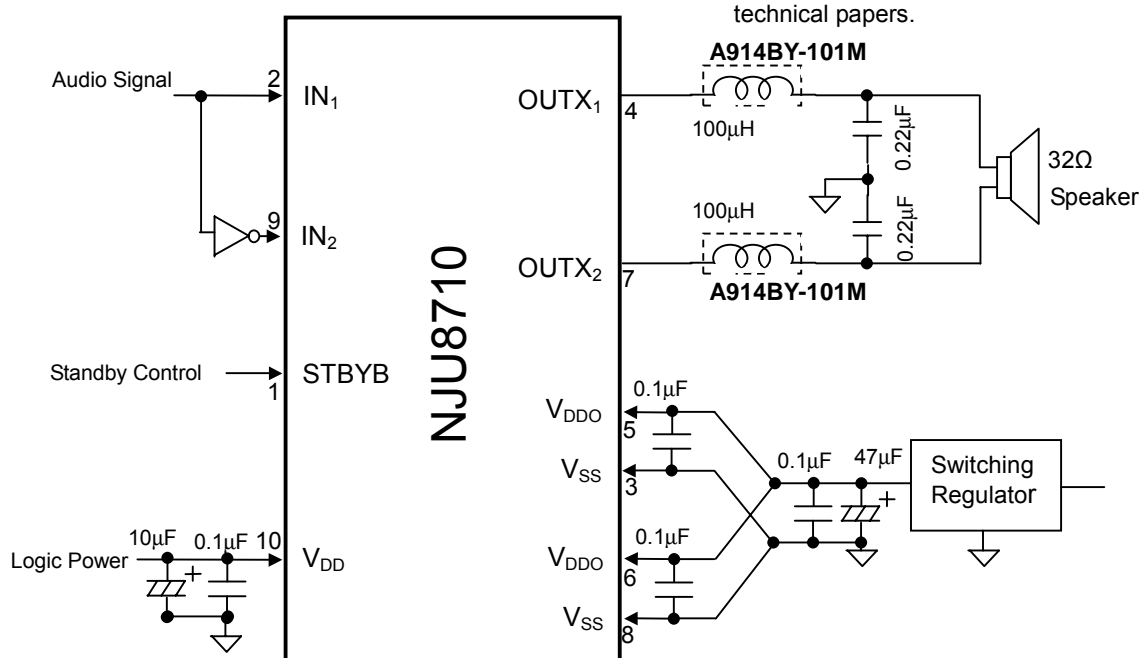
APPLICATION CIRCUIT (Analog Signal Output)

- Stereo OTL application example



• A914BY-101M is manufactured by TOKO, INC.
For further information, please refer to its technical papers.

- Monaural BTL application example



• A914BY-101M is manufactured by TOKO, INC.
For further information, please refer to its technical papers.

- Note 4) De-coupling capacitors must be connected between each power supply terminal and GND terminal.
- Note 5) The power supply for V_{DDO} requires fast driving response performance such as a switching regulator for T.H.D..
- Note 6) The bigger capacitor value of external AC-coupling capacitors realize better low frequency response characteristics. In addition, ESR(Equivalent Series Resistance) should be low.
- Note 7) The above circuit shows only application example and does not guarantee the any electrical characteristics. Therefore, please consider and check the circuit carefully to fit your application.

[CAUTION]

The specifications on this databook are only given for information, without any guarantee as regards either mistakes or omissions. The application circuits in this databook are described only to show representative usages of the product and not intended for the guarantee or permission of any right including the industrial rights.