

CHECK	1
CHECK	2

BG. COIL	1
DG. COIL	2
DG. COIL	3

AC 2	3
NC	2
AC 1	1

1	35V
2	AU. GND

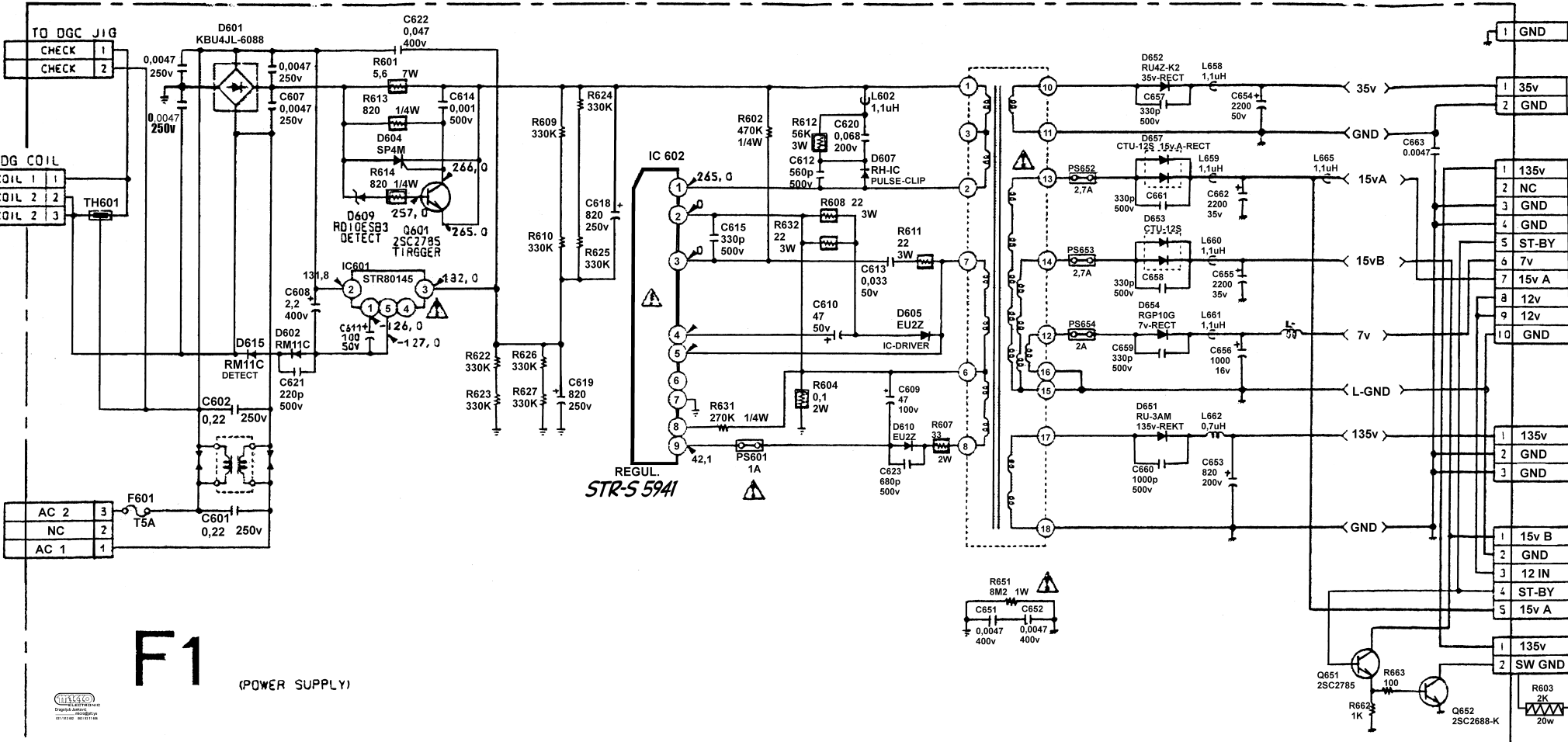
1	135V
2	NC
3	GND
4	GND
5	ST. BY
6	7V
7	15V A
8	42V
9	12V
10	NC
11	GND

1	135V
2	GND
3	GND

1	15V B
2	GND
3	12V IN
4	ST. BY
5	15V A

**micro ELECTRONIC**  
 Dragoljub Janković  
 micro@ptt.yu  
 031/512 402 063/83 11 606





TO DGC JIG

CHECK	1
CHECK	2

TO DG COIL

DG. COIL 1	1
DG. COIL 2	2
DG. COIL 2	3

AC 2	3
NC	2
AC 1	1

# F1

(POWER SUPPLY)



- 1 GND
- 2 GND
- 3 35v
- 4 GND
- 5 135v
- 6 GND
- 7 ST-BY
- 8 7v
- 9 15v A
- 10 12v
- 11 GND
- 12 15v B
- 13 GND
- 14 12 IN
- 15 ST-BY
- 16 15v A
- 17 135v
- 18 GND
- 19 15v B
- 20 GND
- 21 12 IN
- 22 ST-BY
- 23 15v A
- 24 135v
- 25 SW GND

