

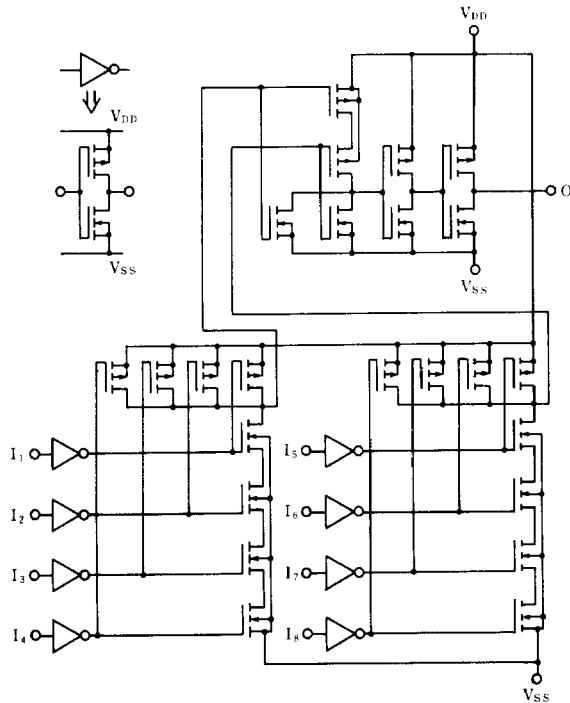
MN4078B / MN4078BS

8-Input NOR Gates

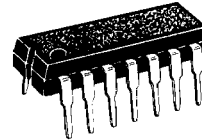
■ Description

The MN4078B/S are positive 8-input NOR gates. The outputs are fully buffered to improve the propagation characteristics between the input and output which are affected by increasing load capacitance and minimizes propagation delay time. Their primary use is where low power dissipation and/or high noise immunity is desired. The MN4078B/S are equivalent to MOTOROLA MC14078B and RCA CD4078B.

■ Schematic Diagram

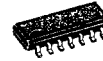


P-1



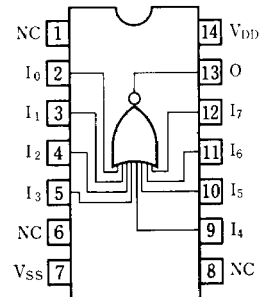
14-Pin • Plastic DIL Package

P-2



14-Pin • Panaflet Package (SO-14D)

Pin Configuration



■ Maximum Ratings (Ta=25°C)

Item	Symbol	Ratings	Unit	
Supply Voltage	V _{DD}	-0.5~+18	V	
Input Voltage	V _I	-0.5~V _{DD} +0.5*	V	
Output Voltage	V _O	-0.5~V _{DD} +0.5*	V	
Peak Input - Output Current	±I _I	max. 10	mA	
Power Dissipation (per package)	P _D	Ta=-40~+60°C	max. 400	mW
		Ta=+60~+85°C		
Power Dissipation (per output terminal)	P _D	max. 100	mW	
Operating Ambient Temperature	T _{opr}	-40~+85	°C	
Storage Temperature	T _{stg}	-65~+150	°C	

* V_{DD} + 0.5V should be under 18V

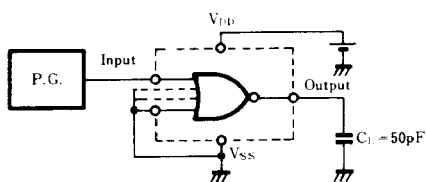
■ DC Characteristics (V_{SS}=0V)

Item	V _{DD} (V)	Symbol	Conditions	Ta=-40°C		Ta=25°C		Ta=85°C		Unit	
				min.	max.	min.	max.	min.	max.		
Quiescent Power Supply Current	5	I _{DD}	V _I =V _{SS} or V _{DD}	—	1	—	1	—	7.5	μA	
	10			—	2	—	2	—	15		
	15			—	4	—	4	—	30		
Output Voltage Low Level	5	V _{OL}	V _I =V _{SS} or V _{DD} I _{OL} < 1μA	—	0.05	—	0.05	—	0.05	V	
	10			—	0.05	—	0.05	—	0.05		
	15			—	0.05	—	0.05	—	0.05		
Output Voltage High Level	5	V _{OH}	V _I =V _{SS} or V _{DD} I _{OH} < 1μA	4.95	—	4.95	—	4.95	—	V	
	10			9.95	—	9.95	—	9.95	—		
	15			14.95	—	14.95	—	14.95	—		
Input Voltage Low Level	5	V _{IL}	I _{OL} < 1μA	V _O =0.5V or 4.5V	—	1.5	—	1.5	—	1.5	V
	10				—	3	—	3	—	3	
	15				—	4	—	4	—	4	
Input Voltage High Level	5	V _{IH}	I _{OH} < 1μA	V _O =0.5V or 4.5V	3.5	—	3.5	—	3.5	—	V
	10				7	—	7	—	7	—	
	15				11	—	11	—	11	—	
Output Current Low Level	5	I _{OL}	V _O =0.4V, V _I =0 or 5V	0.52	—	0.44	—	0.36	—	mA	
	10			1.3	—	1.1	—	0.9	—		
	15			3.6	—	3	—	2.4	—		
Output Current High Level	5	-I _{OH}	V _O =4.6V, V _I =0 or 5V	0.52	—	0.44	—	0.36	—	mA	
	10			1.3	—	1.1	—	0.9	—		
	15			3.6	—	3	—	2.4	—		
Output Current High Level	5	-I _{OH}	V _O =2.5V, V _I =0 or 5V	1.7	—	1.4	—	1.1	—	mA	
Input Leakage Current	15	±I _I	V _I =0 or 15V	—	0.3	—	0.3	—	1	μA	

■ Switching Characteristics (Ta = 25°C, VSS = 0V, CL = 50pF)

Item	VDD (V)	Symbol	min.	typ.	max.	Unit
Output Rise Time	5	t _{TLH}	—	60	180	ns
	10		—	30	90	
	15		—	20	60	
Output Fall Time	5	t _{THL}	—	60	180	ns
	10		—	30	90	
	15		—	20	60	
Propagation Delay Time	5	t _{PLH}	—	80	240	ns
	10		—	35	105	
	15		—	25	75	
Propagation Delay Time	5	t _{PHL}	—	80	240	ns
	10		—	35	105	
	15		—	25	75	
Input Capacitance		C _i	—	—	7.5	pF

1. Switching Time Test Circuit



2. Waveforms

