

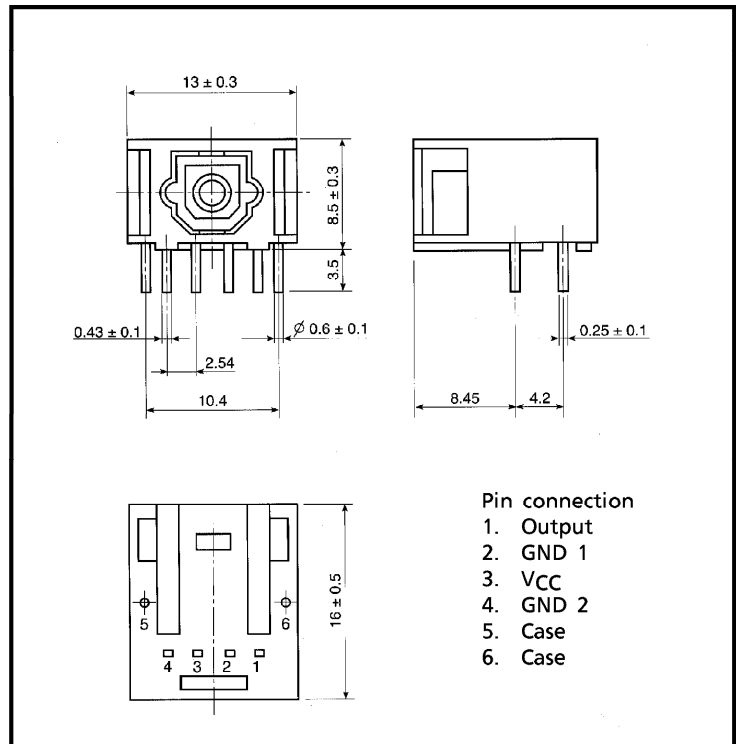
FIBER OPTIC RECEIVING MODULE

TORX180

FIBER OPTIC RECEIVING MODULE FOR SIMPLEX
DIGITAL SIGNAL TRANSMISSION

Unit in mm

- Data rate : DC to 6 Mb/s (NRZ code)
- Transmission distance :
Up to 40 m (APF)
Up to 1000 m (PCF)
- Ceramic Package Type
- TTL Interface
- ATC (Automatic Threshold Control)
Circuit is used for stabilized output at a wide range of optical power level.



1. Maximum Rating ($T_a = 25^\circ\text{C}$)

PARAMETER	SYMBOL	RATING	UNIT
Storage Temperature	T_{stg}	-40 to 85	$^\circ\text{C}$
Operating Temperature	T_{opr}	-40 to 85	$^\circ\text{C}$
Supply Voltage	VCC	-0.5 to 7	V
Low Level Output Current	I_{OL}	20	mA
High Level Output Current	I_{OH}	-1	mA
Soldering Temperature	T_{sol}	260 ⁽¹⁾	$^\circ\text{C}$

Note ⁽¹⁾ Soldering time ≤ 3 s (More than 1 mm apart from the package).

961001EAC1

- TOSHIBA is continually working to improve the quality and the reliability of its products. Nevertheless, semiconductor devices in general can malfunction or fail due to their inherent electrical sensitivity and vulnerability to physical stress. It is the responsibility of the buyer, when utilizing TOSHIBA products, to observe standards of safety, and to avoid situations in which a malfunction or failure of a TOSHIBA product could cause loss of human life, bodily injury or damage to property. In developing your designs, please ensure that TOSHIBA products are used within specified operating ranges as set forth in the most recent products specifications. Also, please keep in mind the precautions and conditions set forth in the TOSHIBA Semiconductor Reliability Handbook.
- Gallium arsenide (GaAs) is a substance used in the products described in this document. GaAs dust and fumes are toxic. Do not break, cut or pulverize the product, or use chemicals to dissolve them. When disposing of the products, follow the appropriate regulations. Do not dispose of the products with other industrial waste or with domestic garbage.
- The information contained herein is presented only as a guide for the applications of our products. No responsibility is assumed by TOSHIBA CORPORATION for any infringements of intellectual property or other rights of the third parties which may result from its use. No license is granted by implication or otherwise under any intellectual property or other rights of TOSHIBA CORPORATION or others.
- The information contained herein is subject to change without notice.

2. Recommended Operating Conditions

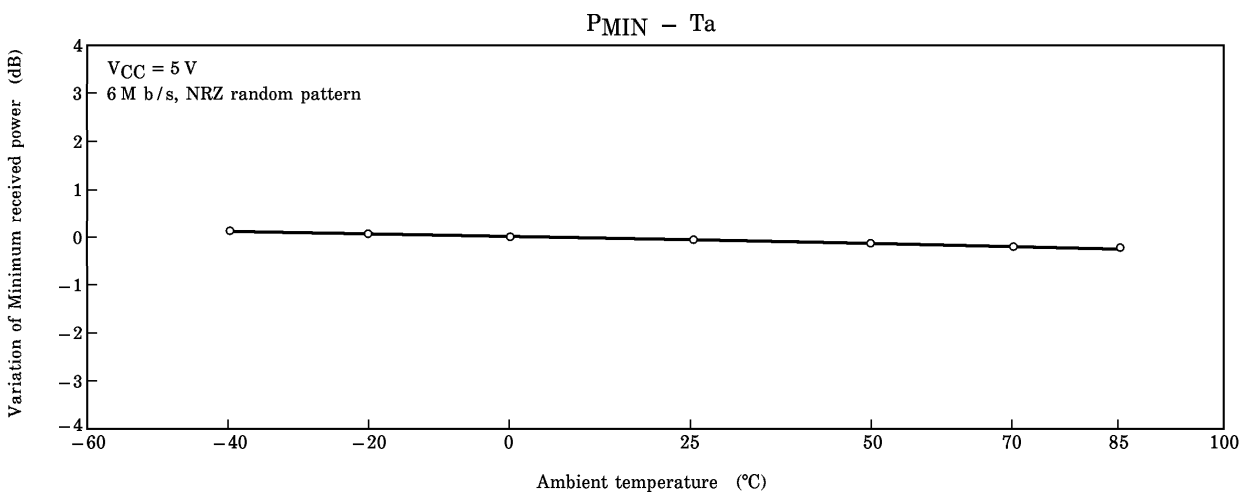
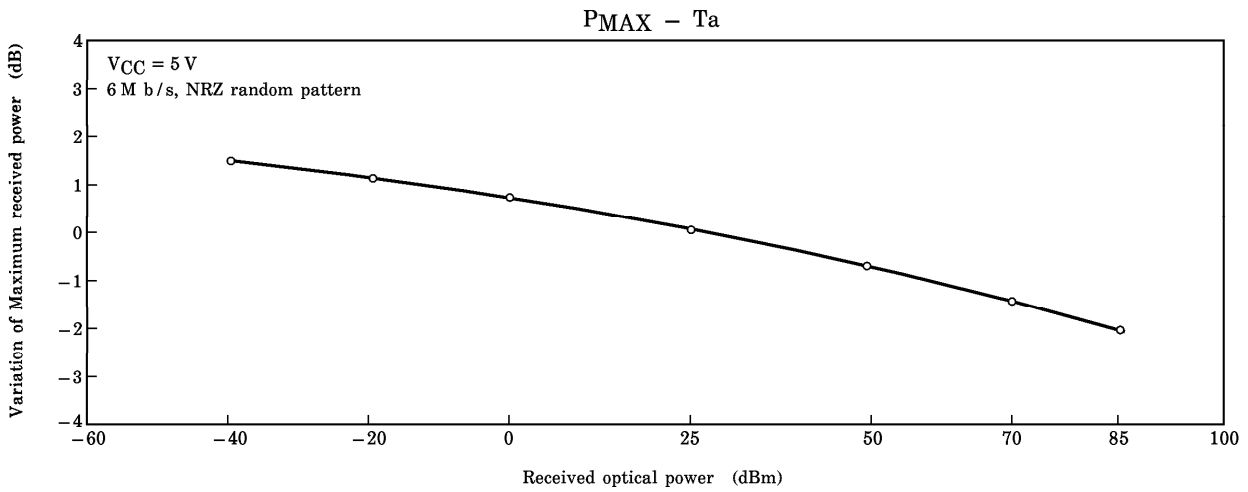
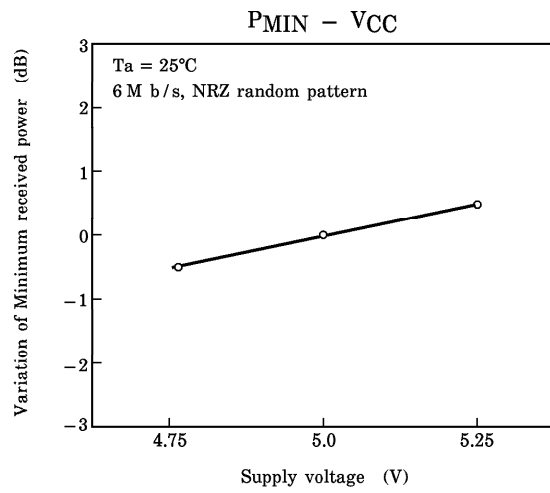
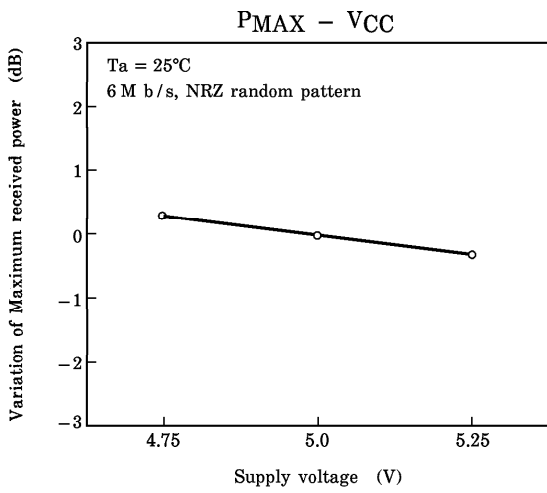
PARAMETER	SYMBOL	MIN	TYP.	MAX	UNIT
Supply Voltage	V _{CC}	4.75	5.0	5.25	V
High Level Output Current	I _{OH}	—	—	−60	μA
Low Level Output Current	I _{OL}	—	—	1.2	mA

3. Electrical and Optical Characteristics (Ta = 25°C, V_{CC} = 5 V)

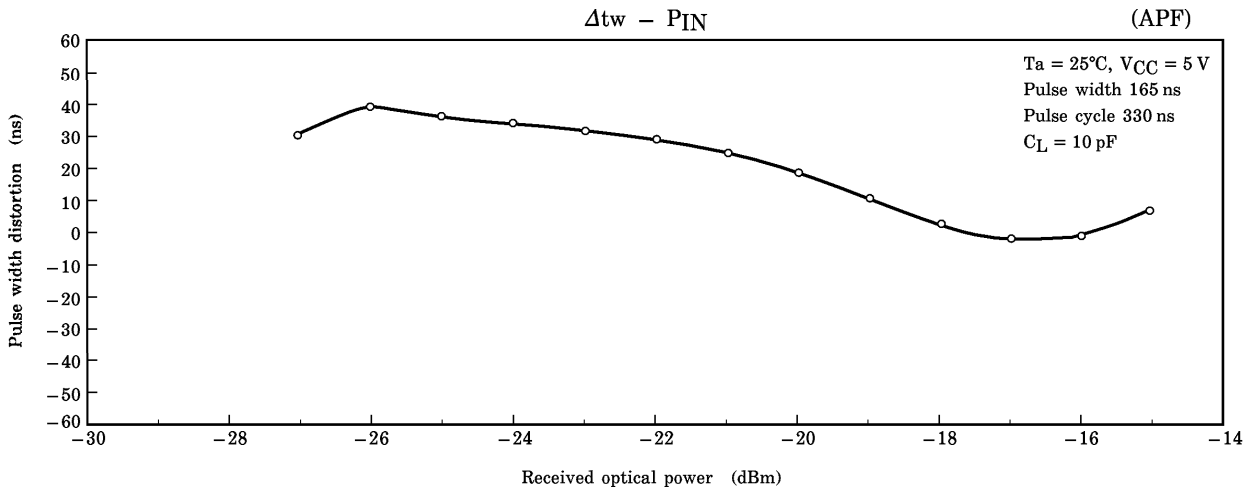
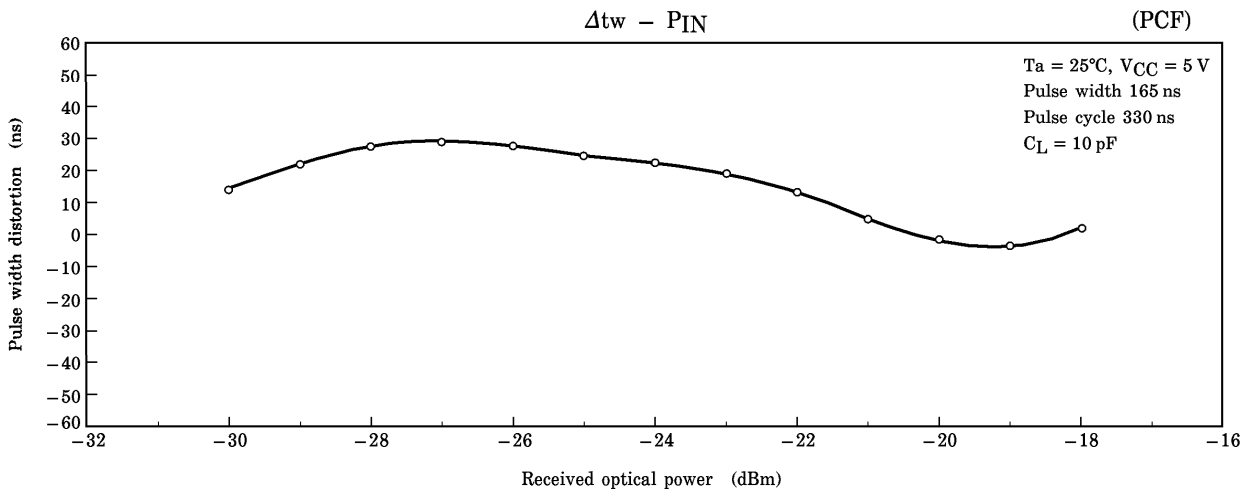
PARAMETER	SYMBOL	CONDITION	MIN	TYP.	MAX	UNIT
Date Rate		NRZ code ⁽²⁾	DC	—	6	Mb/s
Transmission Distance		Using APF ⁽³⁾ , TOTX180A	0.2	—	40	m
		Using PCF ⁽⁴⁾ , TOTX180	0.2	—	1000	m
Pulse Width Distortion ⁽⁵⁾	Δtw	Pulse width 165 ns Pulse cycle 330 ns C _L = 10 pF	−55	—	55	ns
Maximum Receivable Power ⁽⁶⁾	P _{MAX}	6 Mb/s, APF, TOTX180A	−15	—	—	dBm
		6 Mb/s, PCF, TOTX180	−18	—	—	dBm
Minimum Receivable Power ⁽⁶⁾	P _{MIN}	6 Mb/s, APF, TOTX180A	—	—	−27	dBm
		6 Mb/s, PCF, TOTX180	—	—	−30	dBm
Current Consumption	I _{CC}		—	18	30	mA
High Level Output Voltage	V _{OH}	I _{OH} = −60 μA	4.6	—	—	V
Low Level Output Voltage	V _{OL}	I _{OL} = 1.2 mA	—	—	0.4	V

- ⁽²⁾ For date rate > 3 Mb/s, the duty factor must be such as kept 25 to 75%.
High level output when optical flux is received. Low level output when optical flux is not received.
- ⁽³⁾ All Plastic Fiber (980/1000 μm).
- ⁽⁴⁾ Plastic cladding silica fiber (200/300 μm)
- ⁽⁵⁾ Between input of a fiber optic transmission module and output of TORX180.
- ⁽⁶⁾ BER ≤ 10^{−9}, valued by peak.

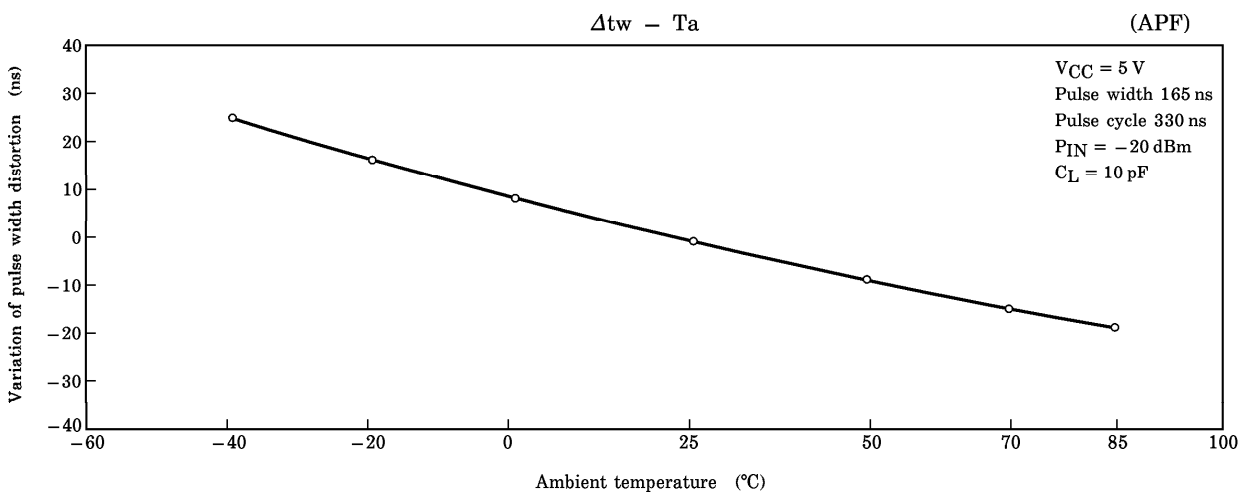
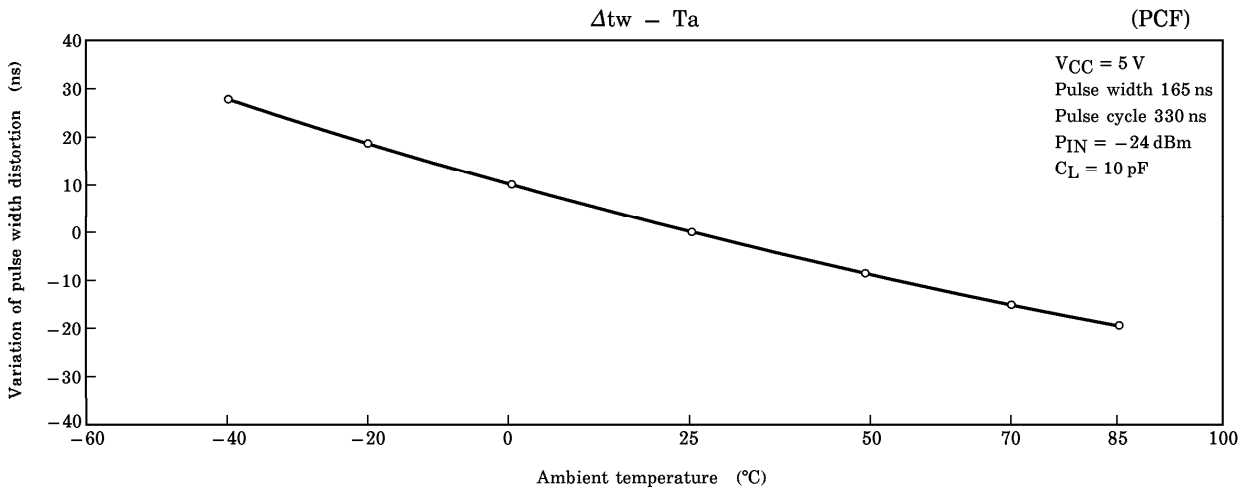
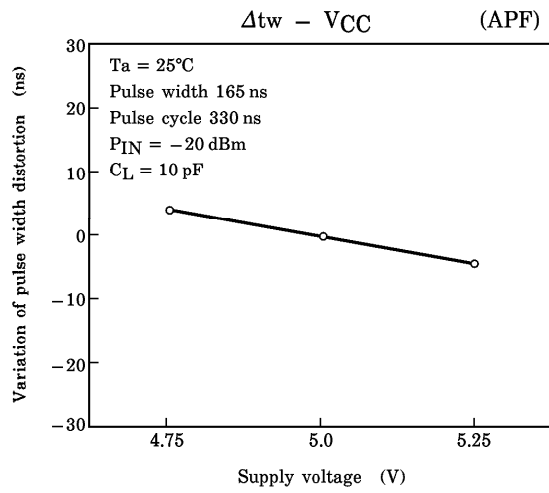
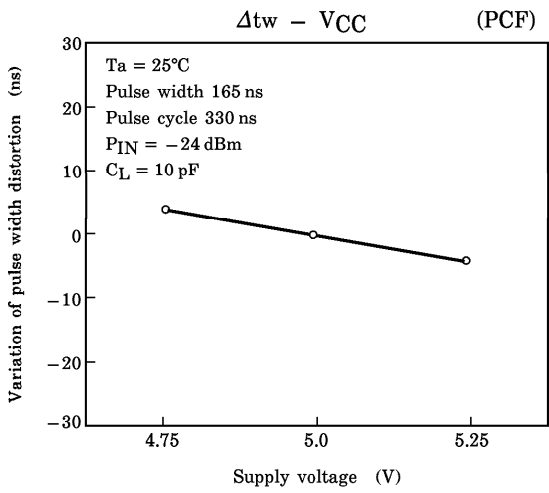
4. Example of Typical Characteristics ⁽⁸⁾



Note. ⁽⁸⁾ There give characteristic examples, and its values are not guaranteed.

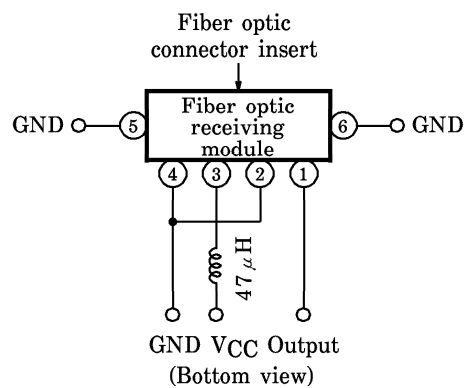


Note. ⁽⁸⁾ There give characteristic examples, and its values are not guaranteed.



Note. (8) There give characteristic examples, and its values are not guaranteed.

5. Application Circuit



6. Applicable Optical Fiber with Fiber Optic Connectors

(1) APF

TOCP100-□□B, TOCP155-□□B, TOCP100P-□□B, TOCP155P-□□B

(2) PCF

TOCP100Q-□□B, TOCP150Q-□□B, TOCP100X-□□B, TOCP150X-□□B
CF-1071 series

7. Precaution on Use

(1) Maximum rating

The maximum ratings are the limit values which must not be exceeded during operation of device. None of these rating value must not be exceeded. If the maximum rating value is exceeded, the characteristics of devices may never be restored properly. In extreme cases, the device may be permanently damages.

(2) Soldering

Optical modules are comprised of internal semiconductor devices. However, in principle, optical modules are optical components. During soldering, ensure that flux does not contact with the emitting surface or the detecting surface. Also ensure that proper flux removal is conducted after soldering.

Some optical modules come with a protective cap. The protective cap is used to avoid malfunction when the optical module is not in use. Note that it is not dust or waterproof. As mentioned before, optical modules are optical components. Thus, in principle, soldering where there may be flux residue and flux removal after soldering is not recommended. Toshiba recommend that soldering be performed without the optical module mounted on the board. Then, after the board has been cleaned, the optical module should be soldered on to the board manually.

If the optical module cannot be soldered manually, use non-halogen (chlorine-free) flux and make sure, without cleaning, there is no residue such as chlorine. This is one of the ways to eliminate the effects of flux. In such a cases, be sure to check the devices' reliability.

(3) Noise resistance

It is believed that the use of optical transfer devices improve noise resistance. In theory, optical fiber is not affected by noise at all. However, receiving modules which handle signals whose level is extremely small, are susceptible to noise.

TOSLINK improve noise resistance to use a conductive case. However, the current signal output by the optical receiving modules' photodiode is extremely small. Thus, in some environments, shielding the case may not achieve sufficient noise resistance.

First systems which incorporate TOSLINK, Toshiba recommend testing using the actual device to check its noise resistance.

Use a simple noise filter on TOSLINK fiber optic transceiving module's power line. If the ripple in the power supply used is significant, reinforce the filter.

The optical module is to be used in an area which is susceptible to radiated noise, increase the shielding by covering the optical module and the power line filter with a metallic cover.

(4) Vibration and shock

This module is ceramic packaged which internal device is hollow so that the wire is not fixed to the device. This structure is not relatively sound against vibration and shock. Attention must be paid to the design of the mechanism for applications which are subject to large amounts of vibration.

(5) Fixing fiber optical receiving module

Solder the fixed pin (pins 5 and 6) of fiber optic receiving module TORX180 to the printed circuit board to fix the module to the board.

(6) Shielding and wiring pattern of fiber optic receiving modules

To shield, connect the fixed pins (pins 5 and 6) of fiber optic transceiving module TORX180 to the GND.

Where the fiber optic receiving module uses conductive resin, be careful that the case does not touch wiring (including land).

To improve noise resistance, shield the optical module and the power line filter using a metallic cover.

(7) Solvent

When using solvent for flux removal, do not use a high acid or high alkali solvent. Be careful not to pour solvent in to the optical connector ports. If solvent is inadvertently poured in to them, clean it off using cotton tips.

(8) Protective cap

When the TORX180 is not in use, attach the protective cap.

(9) Supply voltage

Use the supply voltage within the recommended operating condition ($V_{CC} = 5 \pm 0.25$ V). Make sure that supply voltage does not exceed the maximum rating value of 7 V, even for an instant.

(10) Output

If the receiver output is at low and is connected to the power supply, or if the output is high and is connected to GND, the internal IC may be destroyed.

(11) Soldering condition

Solder at 260°C or less for no more than three seconds.

(12) Precautions when disposing of devices and packing materials.

When disposing devices and packing materials, follow the procedures stipulated by local regulations in order to protect the environment against contamination.

When devices are disposed of, worker safety and protection of the environment must be taken into account.

(13) Precautions during use

Toshiba is continually working to improve the quality and the reliability of their products. Nevertheless, semiconductor devices in general can malfunction or fail due to their inherent electrical sensitivity and their vulnerability to physical stress. It is the responsibility of the buyer, when utilizing Toshiba products, to observe standards of safety, and to avoid situations in which the malfunction or failure of a Toshiba product could cause loss of human life, bodily injury or damage to property.

When developing equipment, please ensure that Toshiba products are used within the specified operating ranges set forth in the most recent product specifications. Also, please keep in mind the precautions and conditions set forth in the Toshiba Semiconductor Reliability Handbook.