

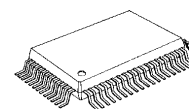
## CMOS 8-Bit Microcontroller

**TMP87PM74F**

The 87PM74 is a One-Time PROM microcontroller with low-power 256 K bits (32 Kbytes) electrically programmable read only memory for the 87CH74A/M74A system evaluation. The 87PM74 is pin compatible with the 87CH74A/M74A. The operations possible with the 87CH74A/M74A can be performed by writing programs to PROM. The 87PM74 can write and verify in the same way as the TC57256AD using an adaptor socket BM11120 and an EPROM programmer.

Part No.	OTP	RAM	Package	Adaptor Socket
TMP87PM74F	32 K × 8-bit	1 K × 8-bit	P-QFP80-1420-0.80B	BM11120

P-QFP80-1420-0.80B



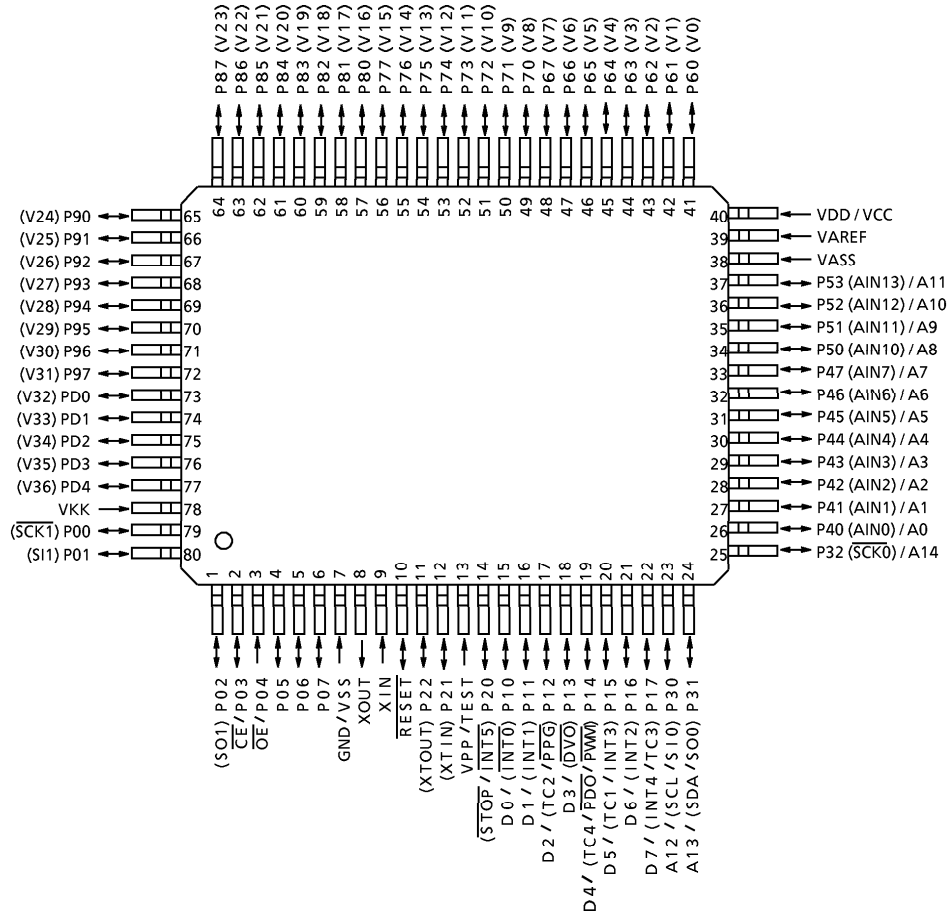
TMP87PM74F

000707EBP1

- For a discussion of how the reliability of microcontrollers can be predicted, please refer to Section 1.3 of the chapter entitled Quality and Reliability Assurance / Handling Precautions.
- TOSHIBA is continually working to improve the quality and reliability of its products. Nevertheless, semiconductor devices in general can malfunction or fail due to their inherent electrical sensitivity and vulnerability to physical stress. It is the responsibility of the buyer, when utilizing TOSHIBA products, to comply with the standards of safety in making a safe design for the entire system, and to avoid situations in which a malfunction or failure of such TOSHIBA products could cause loss of human life, bodily injury or damage to property. In developing your designs, please ensure that TOSHIBA products are used within specified operating ranges as set forth in the most recent TOSHIBA products specifications. Also, please keep in mind the precautions and conditions set forth in the "Handling Guide for Semiconductor Devices," or "TOSHIBA Semiconductor Reliability Handbook" etc..
- The TOSHIBA products listed in this document are intended for usage in general electronics applications (computer, personal equipment, office equipment, measuring equipment, industrial robotics, domestic appliances, etc.). These TOSHIBA products are neither intended nor warranted for usage in equipment that requires extraordinarily high quality and/or reliability or a malfunction or failure of which may cause loss of human life or bodily injury ("Unintended Usage"). Unintended Usage include atomic energy control instruments, airplane or spaceship instruments, transportation instruments, traffic signal instruments, combustion control instruments, medical instruments, all types of safety devices, etc.. Unintended Usage of TOSHIBA products listed in this document shall be made at the customer's own risk.
- The products described in this document are subject to the foreign exchange and foreign trade laws.
- The information contained herein is presented only as a guide for the applications of our products. No responsibility is assumed by TOSHIBA CORPORATION for any infringements of intellectual property or other rights of the third parties which may result from its use. No license is granted by implication or otherwise under any intellectual property or other rights of TOSHIBA CORPORATION or others.
- The information contained herein is subject to change without notice.

Pin Assignments (Top View)

P-QFP80-1420-0.80B



### Pin Function

The 87PM74 has two modes: MCU and PROM.

(1) MCU mode

In this mode, the 87PM74 is pin compatible with the 87CH74A/M74A (fix the TEST pin at low level).

(2) PROM mode

Pin Name (PROM mode)	Input / Output	Functions	Pin Name (MCU mode)
A14 to A12	Input	PROM address inputs	P32 to P30
A11 to A8			P53 to P50
A7 to A0			P47 to P40
D7 to D0	I/O	PROM data input/outputs	P17 to P10
$\overline{CE}$	Input	Chip enable signal input (active low)	P03
$\overline{OE}$		Output enable signal input (active low)	P04
VPP	Power supply	+ 12.5 V / 5 V (Program supply voltage)	TEST
VCC		+ 5 V	VDD
GND		0 V	VSS
P05, P02, P01	I/O	PROM mode setting pin. Be fixed at high level.	
P21			
P07, P06, P00			
P22, P20			PROM mode setting pin. Be fixed at low level.
RESET			
XIN	Input	Connect an 8 MHz oscillator to stabilize the internal state.	
XOUT	Output		
PD4 to PD0	I/O	Open	
P97 to P90			
P87 to P80			
P77 to P70			
P67 to P60			
VKK	Power supply	0 V (GND)	
VAREF			
VASS			

**Operational Description**

The following explains the 87PM74 hardware configuration and operation. The configuration and functions of the 87PM74 are the same as those of the 87CH74A/M74A, except in that a one-time PROM is used instead of an on-chip mask ROM.

The 87PM74 is placed in the single-clock mode during reset. To use the dual-clock mode, the low-frequency oscillator should be turned on by executing [SET (SYSCR2). XTEN] instruction at the beginning of the program.

**1. Operating Mode**

The 87PM74 has two modes: MCU and PROM.

**1.1 MCU Mode**

The MCU mode is activated by fixing the TEST / VPP pin at low level.

In the MCU mode, operation is the same as with the 87CH74A/M74A (the TEST / VPP pin cannot be used open because it has no built-in pull-down resistance).

**1.1.1 Program Memory**

The 87PM74 has a 32 K × 8-bit (addresses 8000<sub>H</sub> to FFFF<sub>H</sub> in the MCU mode, addresses 0000<sub>H</sub> to 7FFF<sub>H</sub> in the PROM mode) of program memory (OTP).

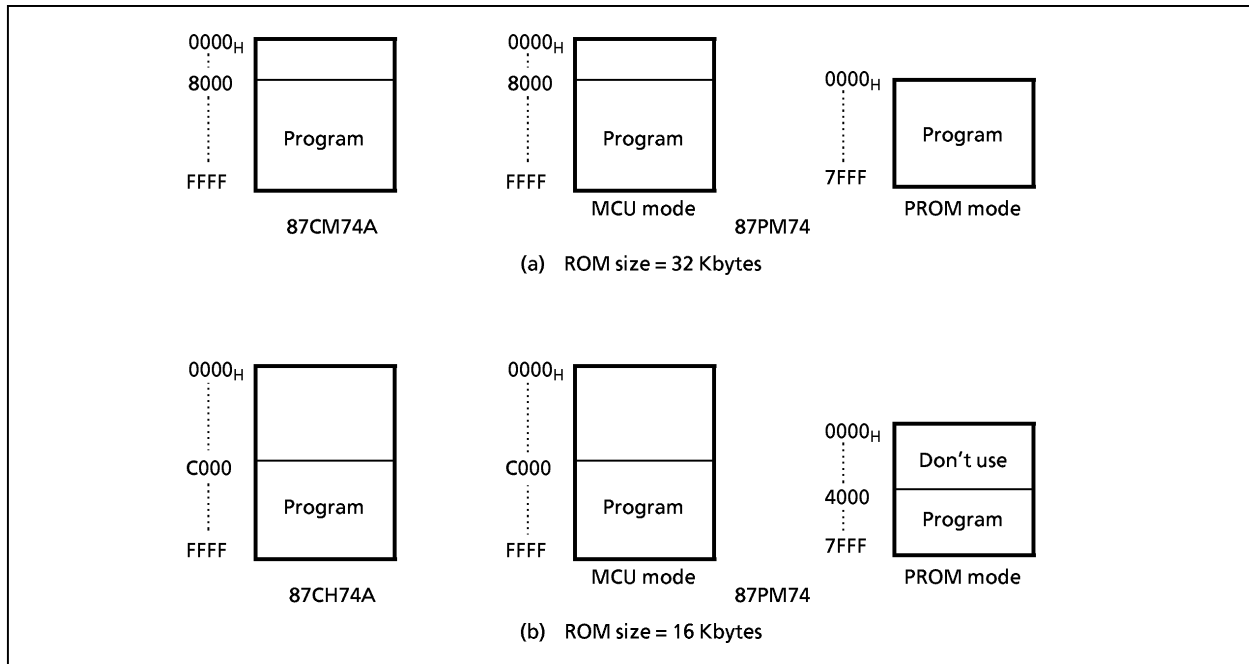


Figure 1-1. Program Memory Area

*Note: Either write the data FF<sub>H</sub> to the unused area or set the PROM programmer to access only the program storage area.*

## Electrical Characteristics

## Absolute Maximum Ratings

 $(V_{SS} = 0\text{ V})$ 

Parameter	Symbol	Pins	Ratings	Unit
Supply Voltage	$V_{DD}$		- 0.3 to 6.5	V
Program Voltage	$V_{PP}$	TEST / VPP	- 0.3 to 13.0	V
Input Voltage	$V_{IN}$		- 0.3 to $V_{DD} + 0.3$	V
Output Voltage	$V_{OUT1}$	P2, P3, P4, P5, P6, XOUT, $\overline{\text{RESET}}$	- 0.3 to $V_{DD} + 0.3$	V
	$V_{OUT3}$	Source open drain ports	$V_{DD} - 40$ to $V_{DD} + 0.3$	
Output Current (Per 1 pin)	$I_{OUT1}$	P15 to P17, P3, P4, P5	3.2	mA
	$I_{OUT2}$	P0, P10 to P14, P2	30	
	$I_{OUT3}$	P8, P9, PD	- 12	
	$I_{OUT4}$	P6, P7	- 25	
Output Current (Total)	$\Sigma I_{OUT1}$	P15 to P17, P3, P4, P5	60	mA
	$\Sigma I_{OUT2}$	P0, P10 to P14, P2	160	
	$\Sigma I_{OUT3}$	P6, P7, P8, P9, PD	- 200	
Power Dissipation [ $T_{opr} = 25^\circ\text{C}$ ]	PD	Note 2	1200	mW
Soldering Temperature (time)	$T_{sld}$		260 (10 s)	$^\circ\text{C}$
Storage Temperature	$T_{stg}$		- 55 to 125	$^\circ\text{C}$
Operating Temperature	$T_{opr}$		- 30 to 70	$^\circ\text{C}$

Note 1: The absolute maximum ratings are rated values which must not be exceeded during operation, even for an instant. Any one of the ratings must not be exceeded. If any absolute maximum rating is exceeded, a device may break down or its performance may be degraded, causing it to catch fire or explode resulting in injury to the user. Thus, when designing products which include this device, ensure that no absolute maximum rating value will ever be exceeded.

Note 2: Power Dissipation (PD); For PD, it is necessary to decrease 14.3 mW/ $^\circ\text{C}$ .

## Recommended Operating Conditions

 $(V_{SS} = 0\text{ V}, T_{opr} = -30\text{ to }70^\circ\text{C})$ 

Parameter	Symbol	Pins	Conditions	Min	Max	Unit	
Supply Voltage	$V_{DD}$		$f_c = 8\text{ MHz}$	NORMAL 1, 2 modes	4.5	5.5	V
				IDLE 1, 2 modes			
			$f_s = 32.768\text{ kHz}$	SLOW mode	2.7		
				SLEEP mode			
			STOP mode	2.0			
Output Voltage	$V_{OUT3}$	Source open drain ports		$V_{DD} - 38$	$V_{DD}$	V	
Input High Voltage	$V_{IH1}$	Except hysteresis input	$V_{DD} \geq 4.5\text{ V}$	$V_{DD} \times 0.70$	$V_{DD}$	V	
	$V_{IH2}$	Hysteresis input		$V_{DD} \times 0.75$			
	$V_{IH3}$			$V_{DD} < 4.5\text{ V}$			$V_{DD} \times 0.90$
Input Low Voltage	$V_{IL1}$	Except hysteresis input	$V_{DD} \geq 4.5\text{ V}$	0	$V_{DD} \times 0.30$	V	
	$V_{IL2}$	Hysteresis input			$V_{DD} \times 0.25$		
	$V_{IL3}$				$V_{DD} < 4.5\text{ V}$		$V_{DD} \times 0.10$
Clock Frequency	$f_c$	XIN, XOUT	$V_{DD} = 4.5\text{ V to }5.5\text{ V}$	0.4	8.0	MHz	
			$V_{DD} = 2.7\text{ V to }5.5\text{ V}$		4.2		
	$f_s$	XTIN, XTOUT		30.0	34.0	kHz	

Note 1: The recommended operating conditions for a device are operating conditions under which it can be guaranteed that the device will operate as specified. If the device is used under operating conditions other than the recommended operating conditions (supply voltage, operating temperature range, specified AC/DC values etc.), malfunction may occur. Thus, when designing products which include this device, ensure that the recommended operating conditions for the device are always adhered to.

Note 2: Clock frequency  $f_c$ : Supply voltage range is specified in NORMAL 1/2 mode and IDLE 1/2 mode.

D.C. Characteristics

(V<sub>SS</sub> = 0 V, T<sub>opr</sub> = -30 to 70°C)

Parameter	Symbol	Pins	Conditions	Min	Typ.	Max	Unit
Hysteresis Voltage	V <sub>HS</sub>	Hysteresis input		-	0.9	-	V
Input Current	I <sub>IN1</sub>	TEST	V <sub>DD</sub> = 5.5 V V <sub>IN</sub> = 5.5 V / 0 V	-	-	± 2	μA
	I <sub>IN2</sub>	Open drain ports, Tri-state ports					
	I <sub>IN3</sub>	RESET, STOP					
	I <sub>IN4</sub>	PD port (Note3)					
Input Resistance	R <sub>IN2</sub>	RESET		100	220	450	kΩ
Pull-down Resistance	R <sub>K</sub>	Source open drain ports	V <sub>DD</sub> = 5.5 V, V <sub>KK</sub> = -30 V	50	80	110	kΩ
Output Leakage Current	I <sub>LO1</sub>	Sink open drain ports	V <sub>DD</sub> = 5.5 V, V <sub>OUT</sub> = 5.5 V	-	-	2	μA
	I <sub>LO2</sub>	Source open drain ports	V <sub>DD</sub> = 5.5 V, V <sub>OUT</sub> = -32 V	-	-	-2	
	I <sub>LO3</sub>	Tri-state ports	V <sub>DD</sub> = 5.5 V, V <sub>OUT</sub> = 5.5 V / 0 V	-	-	± 2	
Output High Voltage	V <sub>OH2</sub>	Tri-state ports	V <sub>DD</sub> = 4.5 V, I <sub>OH</sub> = -0.7 mA	4.1	-	-	V
	V <sub>OH3</sub>	P8, P9, PD	V <sub>DD</sub> = 4.5 V, I <sub>OH</sub> = -8 mA	2.4	-	-	
Output Low Voltage	V <sub>OL</sub>	Except XOUT, P0, P10 to P14, P2	V <sub>DD</sub> = 4.5 V, I <sub>OL</sub> = 1.6 mA	-	-	0.4	V
Output Low Current	I <sub>OL3</sub>	P0, P10 to P14, P2	V <sub>DD</sub> = 4.5 V, V <sub>OL</sub> = 1.0 V	-	20	-	mA
Output High Current	I <sub>OH</sub>	P6, P7	V <sub>DD</sub> = 4.5 V, V <sub>OH</sub> = 2.4 V	-	-20	-	mA
Supply Current in NORMAL 1, 2 modes	I <sub>DD</sub>		V <sub>DD</sub> = 5.5 V f <sub>c</sub> = 8 MHz f <sub>s</sub> = 32.768 kHz V <sub>IN</sub> = 5.3 V / 0.2 V	-	12	18	mA
Supply Current in IDLE 1, 2 modes				-	6	9	
Supply Current in SLOW mode				-	30	60	μA
Supply Current in SLEEP mode				-	15	30	
Supply Current in STOP mode				-	0.5	10	

Note 1: Typical values show those at T<sub>opr</sub> = 25°C, V<sub>DD</sub> = 5V.

Note 2: Input Current I<sub>IN1</sub>, I<sub>IN3</sub>; The current through resistor is not included, when the input resistor (pull-up/pull-down) is contained.

A/D Conversion Characteristics

(V<sub>SS</sub> = 0 V, V<sub>DD</sub> = 4.5 to 6.0 V, T<sub>opr</sub> = -30 to 70°C)

Parameter	Symbol	Conditions	Min	Typ.	Max	Unit
Analog Reference Voltage	V <sub>AREF</sub>	V <sub>AREF</sub> - V <sub>ASS</sub> ≥ 2.5 V	V <sub>DD</sub> - 1.5	-	V <sub>DD</sub>	V
	V <sub>ASS</sub>		V <sub>SS</sub>			
Analog Input Voltage	V <sub>AIN</sub>		V <sub>ASS</sub>	-	V <sub>AREF</sub>	V
Analog Supply Current	I <sub>REF</sub>	V <sub>AREF</sub> = 5.5 V, V <sub>ASS</sub> = 0.0 V	-	0.5	1.0	mA
Nonlinearity Error		V <sub>DD</sub> = 5.0 V, V <sub>SS</sub> = 0.0 V V <sub>AREF</sub> = 5.000 V V <sub>ASS</sub> = 0.000 V	-	-	± 1	LSB
Zero Point Error			-	-	± 1	
Full Scale Error			-	-	± 1	
Total Error			-	-	± 2	

Note: Quantizing error is not contained in those errors.

A.C. Characteristics

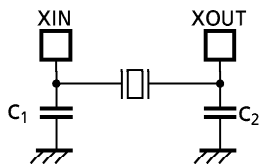
(V<sub>SS</sub> = 0 V, V<sub>DD</sub> = 4.5 to 5.5 V, Topr = - 30 to 70°C)

Parameter	Symbol	Conditions	Min	Typ.	Max	Unit
Machine Cycle Time	t <sub>cy</sub>	In NORMAL1, 2 modes	0.5	-	10	μs
		In IDLE1, 2 modes				
		In SLOW mode	117.6	-	133.3	
		In SLEEP mode				
High Level Clock Pulse Width	t <sub>WCH</sub>	For external clock operation (XIN input), f <sub>c</sub> = 8 MHz	50	-	-	ns
Low Level Clock Pulse Width	t <sub>WCL</sub>					
High Level Clock Pulse Width	t <sub>WSH</sub>	For external clock operation (XTIN input), f <sub>s</sub> = 32.768 kHz	14.7	-	-	μs
Low Level Clock Pulse Width	t <sub>WSL</sub>					

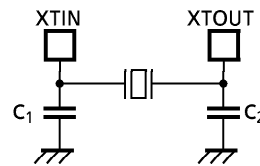
Recommended Oscillating Conditions

(V<sub>SS</sub> = 0 V, V<sub>DD</sub> = 4.5 to 5.5 V, Topr = - 30 to 70°C)

Parameter	Oscillator	Oscillation Frequency	Recommended Oscillator		Recommended Constant	
					C <sub>1</sub>	C <sub>2</sub>
High-frequency Oscillation	Ceramic Resonator	8 MHz	KYOCERA	KBR8.0M	30pF	30pF
		4 MHz	KYOCERA	KBR4.0MS		
	Ceramic Resonator		4 MHz	MURATA	CSA4.00MG	
		Crystal Oscillator		8 MHz	TOYOCOM	210B 8.0000
Crystal Oscillator	4 MHz		TOYOCOM	204B 4.0000		
Low-frequency Oscillation	Crystal Oscillator	32.768 kHz	NDK	MX-38T	15pF	15pF



(1) High-frequency Oscillation



(2) Low-frequency Oscillation

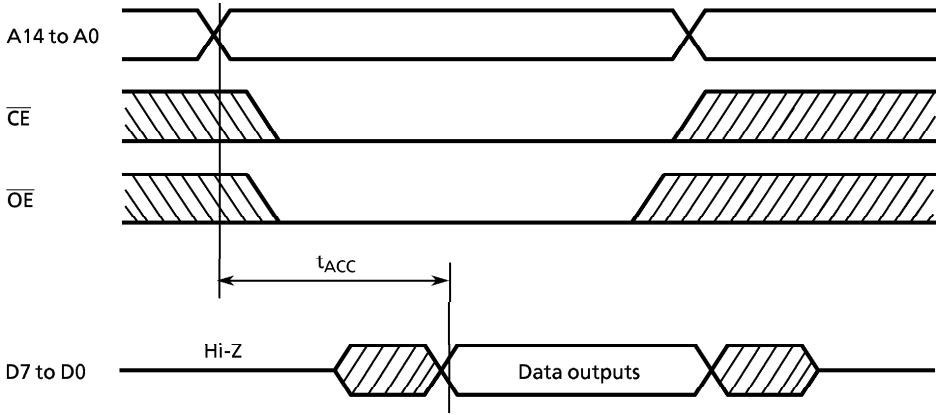
*Note: An electrical shield by metal shield plate on the IC package should be recommend able in order to prevent the device from the high electric fieldstress applied for continuous reliable operation.*

D.C./A.C. Characteristics (PROM mode) ( $V_{SS} = 0\text{ V}$ )

(1) Read Operation ( $T_{opr} = -30\text{ to }70^\circ\text{C}$ )

Parameter	Symbol	Conditions	Min	Typ.	Max	Unit
Input High Voltage	$V_{IH4}$		$V_{CC} \times 0.7$	-	$V_{CC}$	V
Input Low Voltage	$V_{IL4}$		0	-	$V_{CC} \times 0.12$	V
Power Supply Voltage	$V_{CC}$		4.75	5.00	5.25	V
Program Power Supply Voltage	$V_{PP}$		$V_{CC} - 0.6\text{V}$	$V_{CC}$	$V_{CC} + 6.0$	
Address Access Time	$t_{ACC}$	$V_{CC} = 5.0 \pm 0.5\text{ V}$	-	$1.5\text{ t}_{cyc} + 300$	-	ns

Note:  $t_{cyc} = 500\text{ ns}$  at 8 MHz

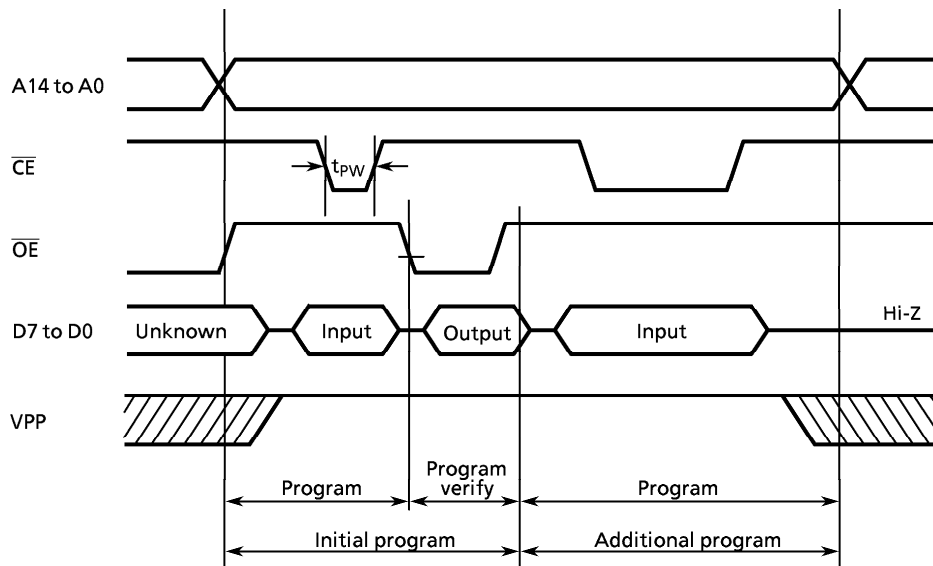


Timing Waveforms of Read Operation



(2) High-Speed Programming Operation ( $T_{opr} = 25 \pm 5^{\circ}\text{C}$ )

Parameter	Symbol	Conditions	Min	Typ.	Max	Unit
Input High Voltage	$V_{IH4}$		$V_{CC} \times 0.7$	–	$V_{CC}$	V
Input Low Voltage	$V_{IL4}$		0	–	$V_{CC} \times 0.12$	V
Power Supply Voltage	$V_{CC}$		5.75	6.0	6.25	V
Program Power Supply Voltage	$V_{PP}$		12.0	12.5	13.0	V
Initial Program Pulse Width	$t_{PW}$	$V_{CC} = 6.0\text{V} \pm 0.25\text{V}$ $V_{PP} = 12.5 \pm 0.25\text{V}$	0.95	1.0	1.05	ms

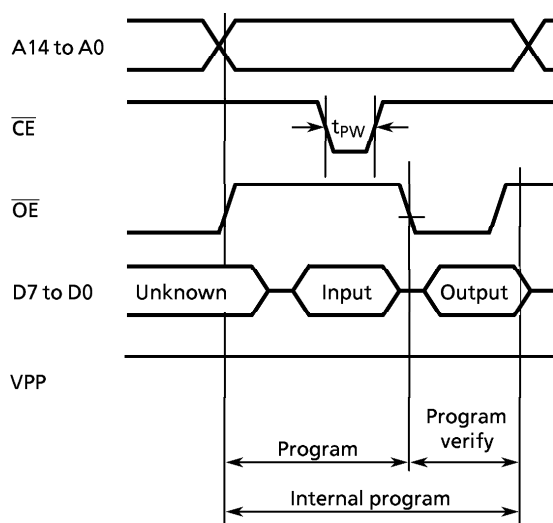


- Note1:** When  $V_{CC}$  power supply is turned on or after,  $V_{pp}$  must be increased. When  $V_{CC}$  power supply is turned off or before,  $V_{pp}$  must be decreased.
- Note2:** The device must not be set to the EPROM programmer or picked up from it under applying the program voltage ( $12.75\text{V} \pm 0.5\text{V}$ ) to the  $V_{pp}$  pin as the device is damaged.
- Note3:** Be sure to execute the recommended programming mode with the recommended programming adaptor. If a mode or an adaptor except the above, the misoperation sometimes occurs.

Timing Waveforms of programming Operation

(3) Program Operation (High speed write mode -II) ( $T_{opr} = 25 \pm 5^{\circ}\text{C}$ )

Parameter	Symbol	Conditions	Min	Typ.	Max	Unit
input high voltage	$V_{IH4}$		$V_{CC} \times 0.7$	–	$V_{CC}$	V
Input Low Voltage	$V_{IL4}$		0	–	$V_{CC} \times 0.12$	V
Supply Voltage	$V_{CC}$		6.00	6.25	6.50	V
Program Supply Voltage	$V_{PP}$		12.50	12.75	13.0	V
Initial Program Pulse Width	$t_{PW}$	$V_{CC} = 6.25 \text{ V} \pm 0.25 \text{ V}$ , $V_{PP} = 12.75 \text{ V} \pm 0.25 \text{ V}$	0.095	0.1	0.105	ms



**Note1:** When  $V_{CC}$  power supply is turned on or after,  $V_{pp}$  must be increased.  
When  $V_{CC}$  power supply is turned off or before,  $V_{pp}$  must be decreased.

**Note2:** The device must not be set to the EPROM programmer or picked up from it under applying the program voltage ( $12.75 \text{ V} \pm 0.25 \text{ V}$ ) to the  $V_{pp}$  pin as the device is damaged.