



# LB1668, 1668M, LB1667, 1667M

## Two-Phase Unipolar Drive Brushless Motor Drivers

### Overview

The LB1668 Series are 2-phase unipolar drive brushless motor drivers that feature a wide usable voltage range and a minimal number of required external components. They also support the formation of motor lock protection and automatic recovery circuits.

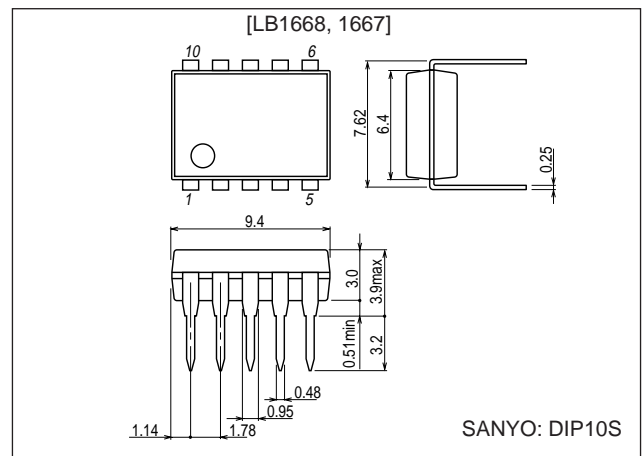
### Functions and Features

- Output protection Zener diodes with variable breakdown voltages
  - When the Z1 and Z2 pins are open:  $V_{OLM} = 57\text{ V}$
  - When the Z1 and Z2 pins are shorted:  $V_{OLM} = 32\text{ V}$
  - An external Zener diode can be connected between Z1 and  $V_{CC}$ .
- Can support both 12-V and 24-V power supplies by changing an external resistor.
- Hall elements can be connected directly.
- 1.5-A output current output transistors built in
- Built-in rotation detection function that outputs low when driven and high when stopped (LB1668/M)
- FG signal function that sets FG high when IN- is low, and sets FG low when IN- is high (LB1667/M)
- Motor lock protection and automatic recovery functions built in
- Thermal shutdown function

### Package Dimensions

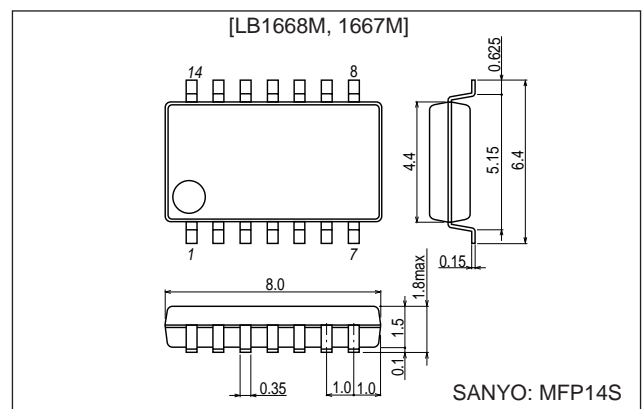
unit: mm

#### 3098B-DIP10S



unit: mm

#### 3111-MFP14S



■ Any and all SANYO products described or contained herein do not have specifications that can handle applications that require extremely high levels of reliability, such as life-support systems, aircraft's control systems, or other applications whose failure can be reasonably expected to result in serious physical and/or material damage. Consult with your SANYO representative nearest you before using any SANYO products described or contained herein in such applications.

■ SANYO assumes no responsibility for equipment failures that result from using products at values that exceed, even momentarily, rated values (such as maximum ratings, operating condition ranges, or other parameters) listed in products specifications of any and all SANYO products described or contained herein.

**SANYO Electric Co., Ltd. Semiconductor Company**

TOKYO OFFICE Tokyo Bldg., 1-10, 1 Chome, Ueno, Taito-ku, TOKYO, 110-8534 JAPAN

## Specifications

### Absolute Maximum Ratings at $T_a = 25^\circ\text{C}$

Parameter	Symbol	Conditions	Ratings	Unit
Maximum input current	$I_{CC\ max}$	$t \leq 20\ ms$	200	mA
Output voltage	$V_{OUT}$		Internal	V
Output current	$I_{OUT}$		1.5	A
Output minus current	$I_{OM}$		-50	mA
RD/FG influx current	$I_{RD}/I_{FG}$		10	mA
RD/FG voltage	$V_{RD}/V_{FG}$		30	V
Allowable power dissipation	$Pd\ max$	LB1667M, 1668M: Mounted on a printed circuit board ( $20 \times 15 \times 1.5\ mm^3$ , glass epoxy)	0.8	W
		LB1667, 1668	1.1	W
Operating temperature	$T_{opr}$		-30 to +80	$^\circ\text{C}$
Storage temperature	$T_{stg}$		-55 to +150	$^\circ\text{C}$

### Allowable Operating Ranges at $T_a = 25^\circ\text{C}$

Parameter	Symbol	Conditions	Ratings	Unit
Input current range	$I_{CC}$		6.0 to 50	mA
Common-mode input voltage range	$V_{ICM}$		0 to $V_{IN} - 1.5$	V

### Electrical Characteristics at $T_a = 25^\circ\text{C}$ , $I_{CC} = 10\ mA$

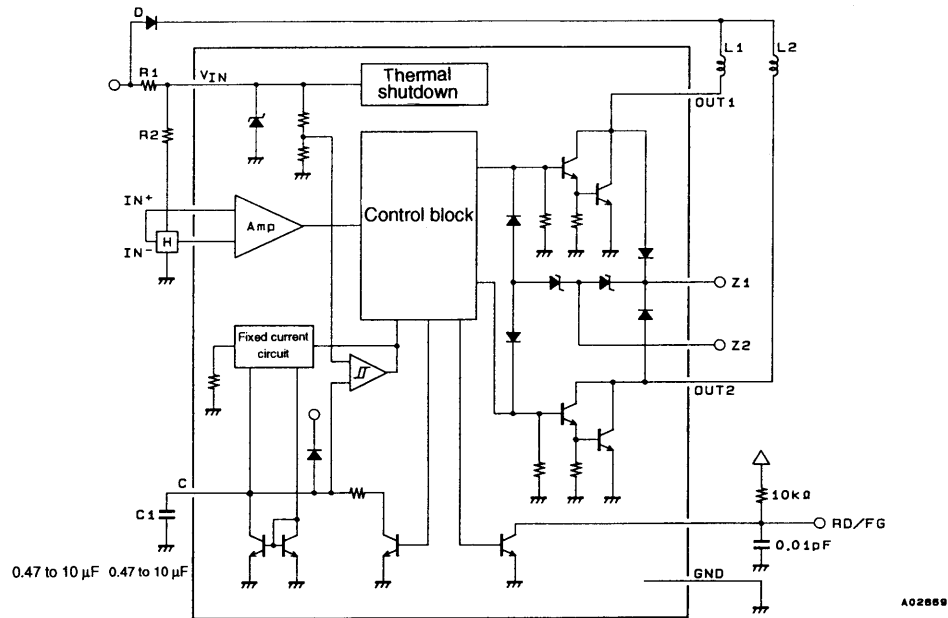
Parameter	Symbol	Conditions	Ratings			Unit
			min	typ	max	
Output limit voltage	$V_{OLM1}$	Z1, Z2 open	54	57	60	V
	$V_{OLM2}$	Z1, Z2 short	31	33	35	V
Output saturation voltage	$V_{osat1}$	$I_O = 0.5\ A$		0.95	1.2	V
	$V_{osat2}$	$I_O = 1.0\ A$		1.15	1.5	V
	$V_{osat3}$	$I_O = 1.5\ A$		1.4	2.0	V
$V_{IN}$ voltage	$V_{IN}$	$I_{CC} = 7.0\ mA$	6.4	6.7	7.0	V
Amplifier input offset voltage	$V_{OFF}$		-7.0	0	+7.0	mV
Amplifier input bias current	$I_{BA}$		-250			nA
RD output saturation voltage	$V_{RDSat}$	$I_{RD} = 5\ mA^*$		0.1	0.3	V
FG output saturation voltage	$V_{FG\ sat}$	$I_{FG} = 5\ mA^*$		0.1	0.3	V
C outflow current	$I_{C1}$		2.1	3.0	3.9	$\mu\text{A}$
C discharge current	$I_{C2}$		0.31	0.44	0.59	$\mu\text{A}$
Comparator input threshold voltage	$V_{TH1}$		0.77	$0.8V_{IN}$	0.83	V
	$V_{TH2}$		0.42	$0.45V_{IN}$	0.48	V
Thermal shutdown current operating temperature	TSD	Design target value		180		$^\circ\text{C}$
Thermal shutdown circuit hysteresis	$\Delta\text{TSD}$	Design target value		40		$^\circ\text{C}$

Note: \* RD output: LB1668/M, FG output: LB1667/M

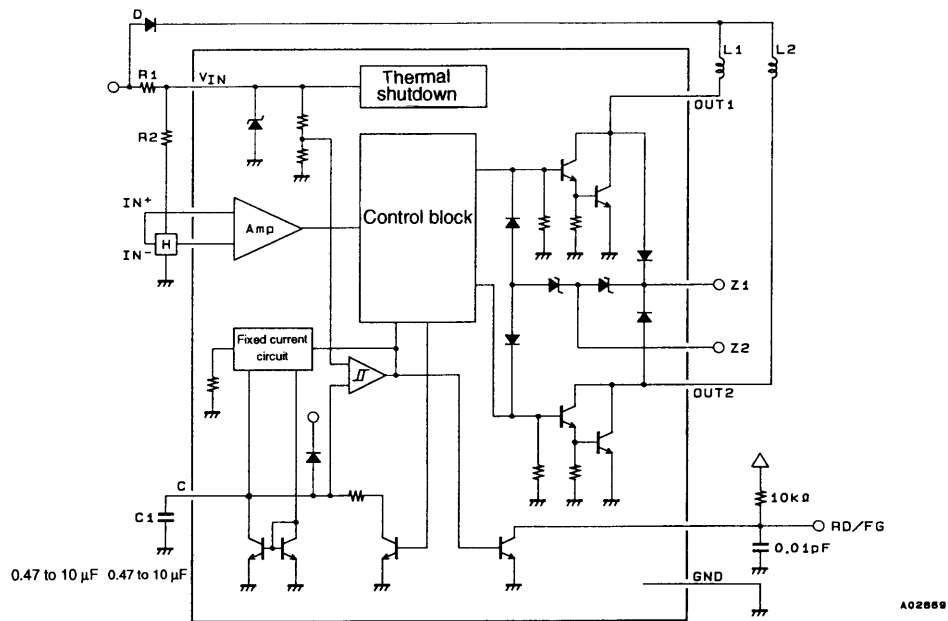
# LB1668, LB1668M, LB1667, LB1667M

## Block Diagram and Application Circuit

• LB1667, 1667M



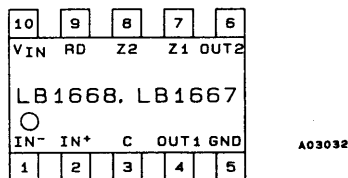
• LB1668, 1668M



### Truth Table (LB1667, LB1667M)

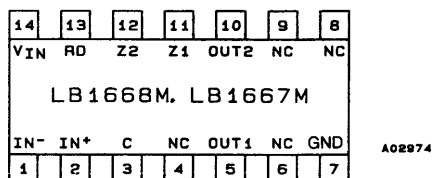
IN+	IN-	C	OUT1	OUT2	FG
H	L	L	H	L	H
L	H	L	L	H	L
H	L	H	H	H	H
L	H	H	H	H	H

### Pin Assignments



### Truth Table (LB1668, LB1668M)

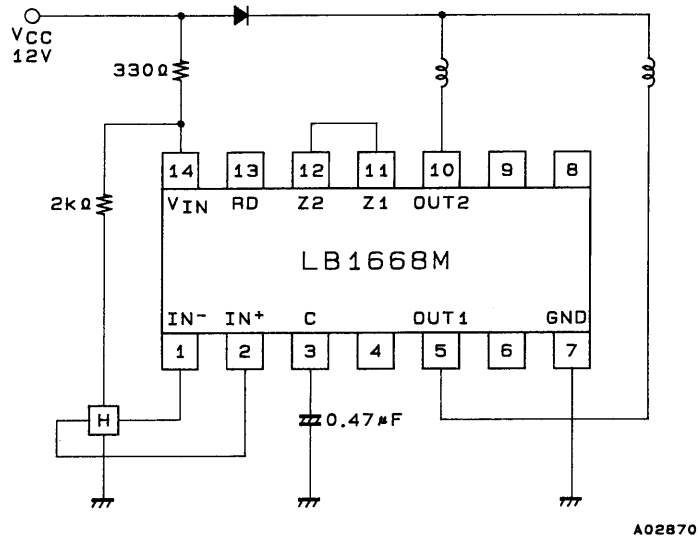
IN+	IN-	C	OUT1	OUT2	RD
H	L	L	H	L	L
L	H	L	L	H	L
H	L	H	H	H	H
L	H	H	H	H	H



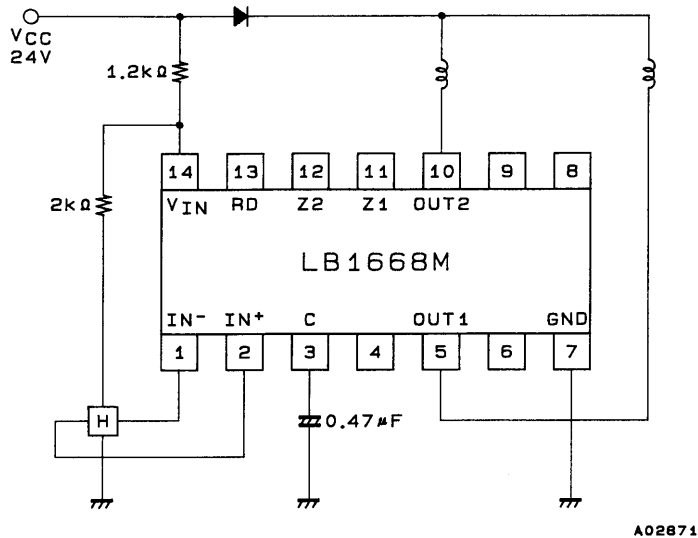
Top view

**LB1668M Sample Application Circuits**

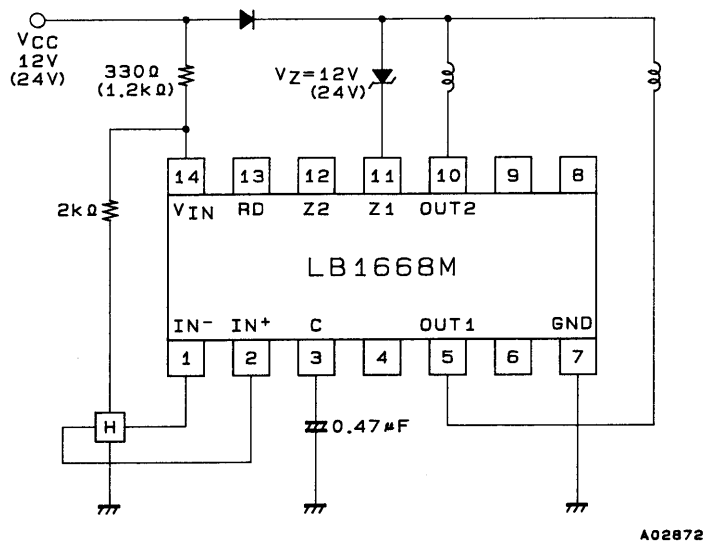
- 12-V power supply type



- 24-V power supply type

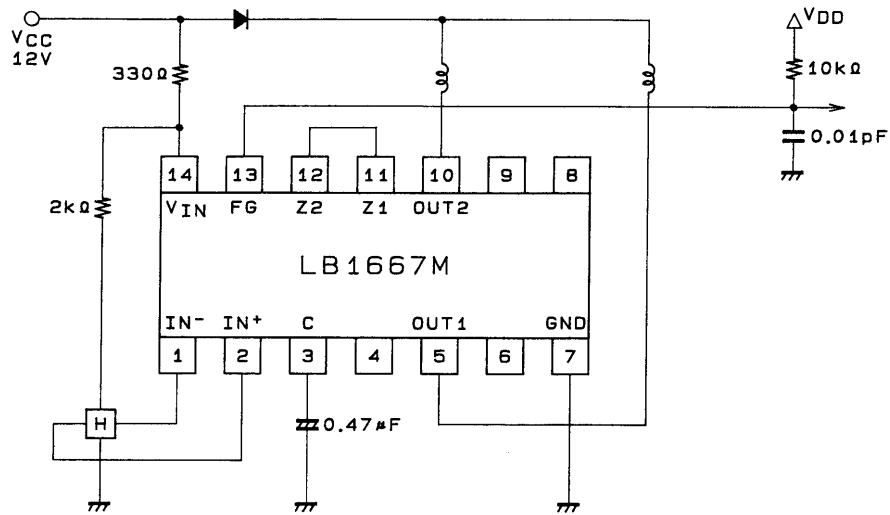


- Circuit for use when large output currents are required and heat dissipation is high.



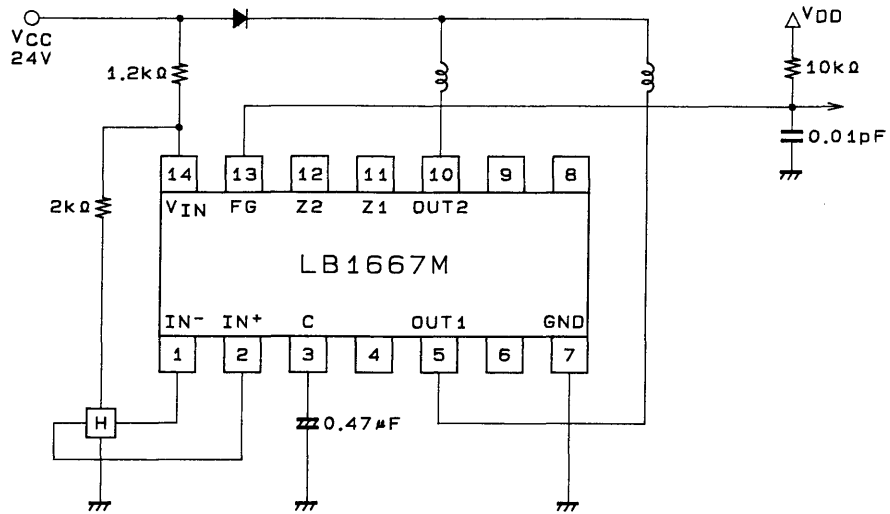
**LB1667M Sample Application Circuits**

- 12-V power supply type



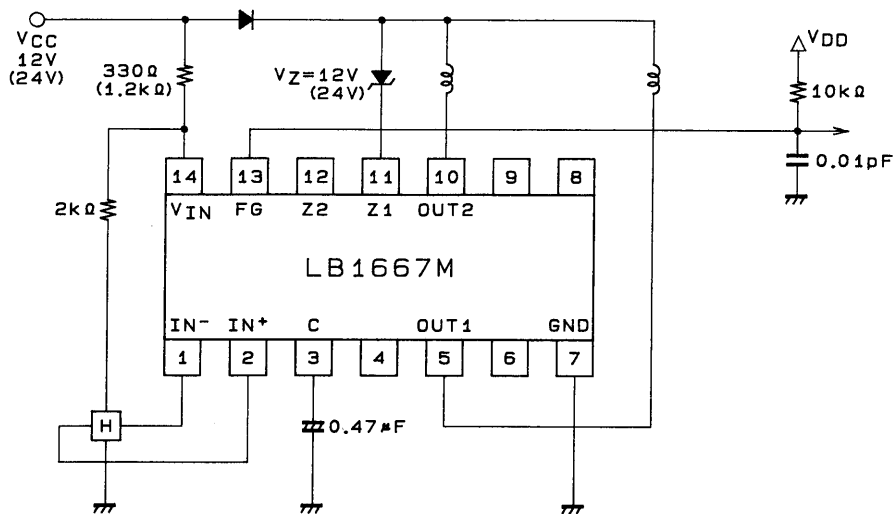
A02873

- 24-V power supply type



A02874

- Circuit for use when large output currents are required and heat dissipation is high.



A02875

**Design Documentation (See the application circuit diagrams)**

1. Power-supply voltage ( $V_{IN}$  pin)

The resistor R1 (when  $V_{CC} = 12\text{ V}$   $R1 = 330\ \Omega$ , and when  $V_{CC} = 24\text{ V}$   $R1 =$  about  $1.2\text{ k}\Omega$ ) is inserted between  $V_{IN}$  and the power supply  $V_{CC}$  pin. When the  $I_{CC}$  current is set in the range 6 to 50 mA, the  $V_{IN}$  pin will be regulated to be 6.7 V. Not only does this provide stability with respect to power-supply voltage variations and motor kickback, but it also provides adequate strength to withstand surges.

2. Output transistors (OUT1 and OUT2 pins)

A Zener diodes with the following characteristics is inserted between the collector and base of each output transistor to absorb kickback voltages at 57 V (typical) and provide output protection.

Sustained output voltage :  $V_O = 65\text{ V}$  minimum (design guarantee)

Output current :  $I_O = 1.5\text{ A}$  maximum

Output saturation voltage :  $V_O\text{ sat} = 1.25\text{ V}/1.0\text{ A}$  (typical)

Safe operating range :  $I_O = 1.0\text{ A}$ ,  $V_{OLM} = 57\text{ V}$ ,  $t = 200\ \mu\text{s}$

3. Output circuit kickback voltage protection (Z1 and Z2 pins)

These ICs support output protection that minimizes kickback noise by changing the kickback absorption voltage and absorption method according to the output current and power-supply voltage used.

— When the Z1 and Z2 pins are shorted

The output protection voltage will be 32 V (typical) using a  $V_{CC} = 12\text{ V}$  power supply.

— When the Z1 and Z2 pins are open

The output protection voltage will be 57 V (typical) using a  $V_{CC} = 24\text{ V}$  power supply.

— With a Zener diode inserted between Z1 and  $V_{CC}$  or between Z1 and ground

This technique handles 120 mm H speed applications which require large output currents and involve large amounts of heat generated in the IC by dissipating the motor coil switching loss in external Zener diodes.

4. Output protection when the motor is lock (C, RD, and FG pins)

This circuit detects motor stopping due to, for example, overloading, and cuts the coil current. It also automatically recovers drive and motor turning from the output stopped state when the load returns to an appropriate level. The lock detection time is set with the value of an external capacitor.

When  $C = 0.47\ \mu\text{F}$

Lock detection time: about 1 second

Lock protection time (output on): about 0.5 second

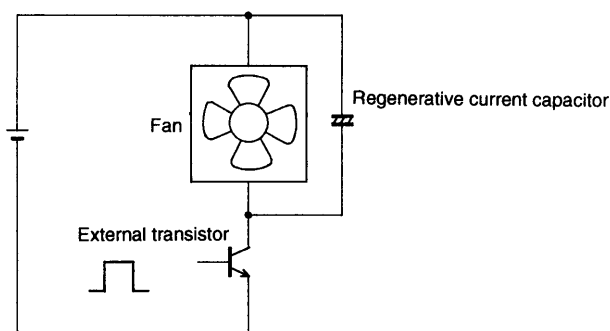
(output off): about 3 seconds

The RD pin (LB1668) is an open collector output and outputs a low level during drive and a high level when stopped. The FG pin (LB1667) is an open collector output and is switched between high and low by the drive phase. It goes to the high level when the motor is stopped.

5. Thermal shutdown

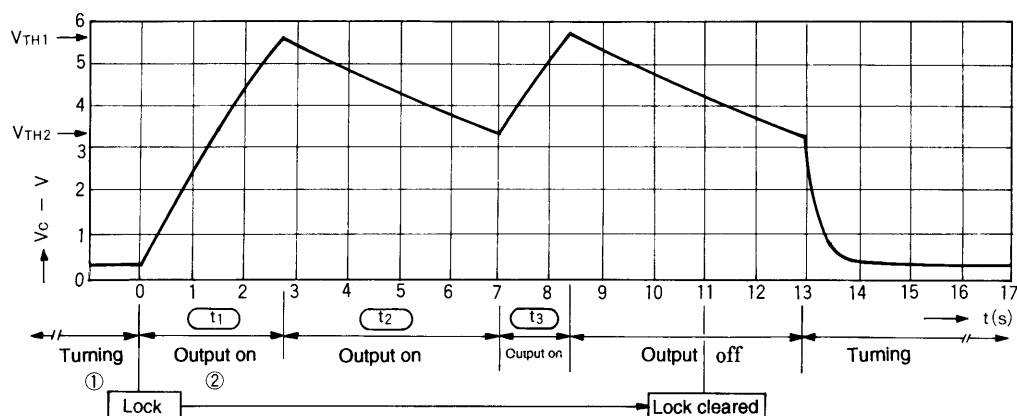
This circuit turns the output off in response to coil shorting or IC overheating.

6. In applications that use an external transistor to turn the cooling fan power on and off, connect a capacitor of about 0.47 to 10  $\mu\text{F}$  between the fan power supply  $V_{CC}$  and ground to provide a regenerative route for the fan motor coil current.

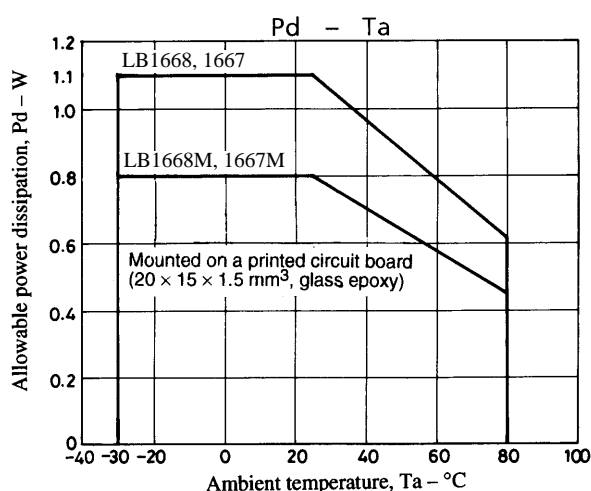
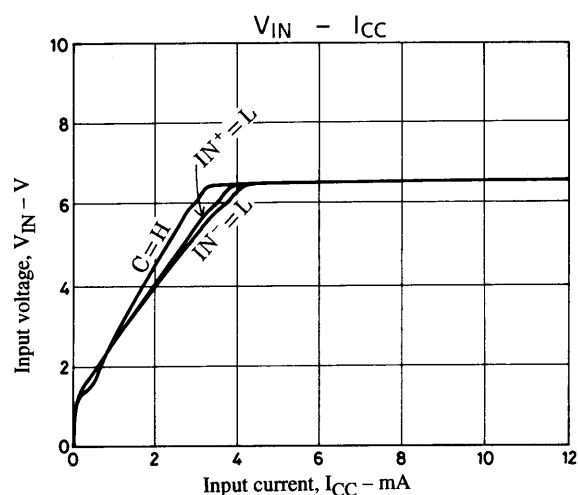
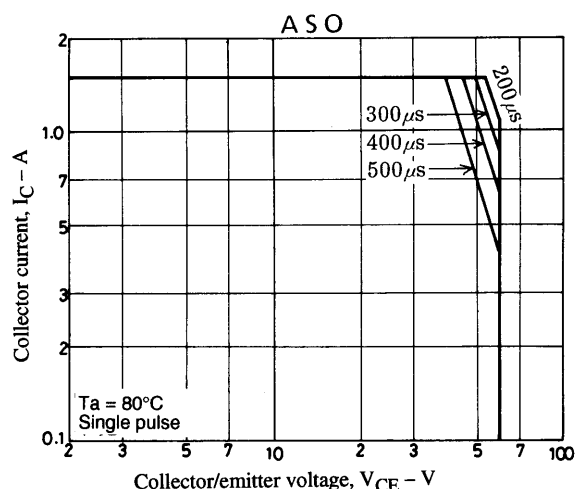
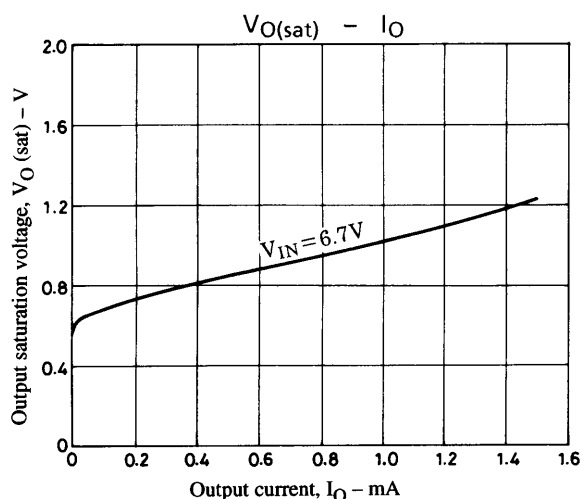


A02975

## Automatic Recovery Circuit C-Pin Voltage



1. While the blades are turning, the capacitor is charged with a current of about  $3 \mu\text{A}$  (typical), and C is discharged by pulses that correspond to the motor speed.
2. When the blades lock, the capacitor is no longer discharged, and the voltage across the capacitor increases. The output is turned off when that voltage reaches  $0.8 \times V_{IN}$ .
3. When the output is turned off, the capacitor is discharged at about  $0.44 \mu\text{A}$  (typical). When the capacitor voltage falls under  $V_{TH2}$ , if the lock state is not yet cleared the capacitor continues discharging until  $V_{TH1}$ . (Note that the output is turned on at this time.) These operations, i.e. items 2. and 3., are repeated with a  $t_{on}:t_{off}$  ratio of about 1:6 to protect the motor.
4. If the lock is cleared at the point the capacitor voltage reaches  $V_{TH2}$ , motor rotation is started by turning the output on.



- Specifications of any and all SANYO products described or contained herein stipulate the performance, characteristics, and functions of the described products in the independent state, and are not guarantees of the performance, characteristics, and functions of the described products as mounted in the customer's products or equipment. To verify symptoms and states that cannot be evaluated in an independent device, the customer should always evaluate and test devices mounted in the customer's products or equipment.
- SANYO Electric Co., Ltd. strives to supply high-quality high-reliability products. However, any and all semiconductor products fail with some probability. It is possible that these probabilistic failures could give rise to accidents or events that could endanger human lives, that could give rise to smoke or fire, or that could cause damage to other property. When designing equipment, adopt safety measures so that these kinds of accidents or events cannot occur. Such measures include but are not limited to protective circuits and error prevention circuits for safe design, redundant design, and structural design.
- In the event that any or all SANYO products (including technical data, services) described or contained herein are controlled under any of applicable local export control laws and regulations, such products must not be exported without obtaining the export license from the authorities concerned in accordance with the above law.
- No part of this publication may be reproduced or transmitted in any form or by any means, electronic or mechanical, including photocopying and recording, or any information storage or retrieval system, or otherwise, without the prior written permission of SANYO Electric Co., Ltd.
- Any and all information described or contained herein are subject to change without notice due to product/technology improvement, etc. When designing equipment, refer to the "Delivery Specification" for the SANYO product that you intend to use.
- Information (including circuit diagrams and circuit parameters) herein is for example only; it is not guaranteed for volume production. SANYO believes information herein is accurate and reliable, but no guarantees are made or implied regarding its use or any infringements of intellectual property rights or other rights of third parties.

This catalog provides information as of July, 1999. Specifications and information herein are subject to change without notice.