



LINEAR BUILDING BLOCK – LOW POWER COMPARATOR WITH OP AMP AND VOLTAGE REFERENCE

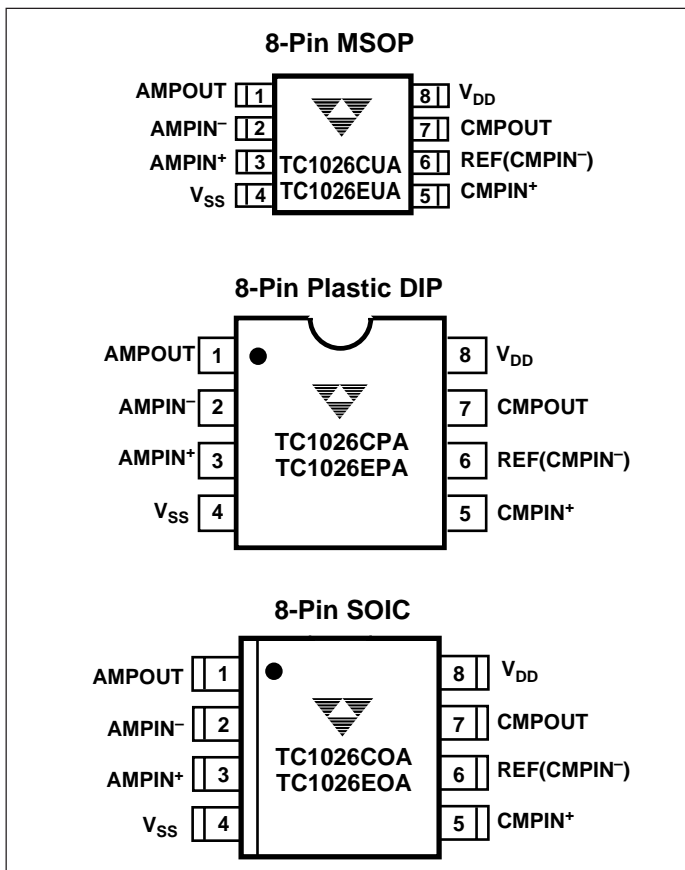
FEATURES

- Combines Low Power Op Amp, Comparator and a Voltage Reference into a Single Package
- Optimized for Single Supply Operation
- Small Package8-Pin MSOP
(Consumes Half the Space of an 8-Pin SOIC)
- Ultra Low Input Bias Current Less than 100pA
- Low Quiescent Current 10µA max
- Rail-To-Rail Inputs and Outputs
- Operates Down to $V_{DD} = 1.8V$ min.

APPLICATIONS

- Power Supply Circuits
- Embedded Systems
- Instrumentation
- Portable Equipment
- Consumer Products
- Replacements for Discrete Components

PIN CONFIGURATION



GENERAL DESCRIPTION

The TC1026 is a mixed-function device combining a general purpose opamp, comparator and voltage reference in a single 8-pin package.

This increased integration allows the user to replace two or three packages, saving space, lowering supply current, and increasing system performance.

The TC1026 is designed specifically for operation from a single supply, however, operation from dual supplies is also possible, and the power supply current drain is independent of the magnitude of the power supply voltage. The TC1026 is optimized for low voltage ($V_{DD} = 1.8V$), low supply current (10µA max) operation.

Packaged in a space-saving 8-pin MSOP, the TC1026 consumes half the board area of an 8-pin SOIC and is ideal for applications requiring high integration, small size and low power.

ORDERING INFORMATION

Part No.	Package	Temp. Range
TC1026COA	8-Pin SOIC	0°C to +70°C
TC1026CPA	8-Pin Plastic DIP	0°C to +70°C
TC1026CUA	8-Pin MSOP	0°C to +70°C
TC1026EOA	8-Pin SOIC	-40°C to +85°C
TC1026EPA	8-Pin Plastic DIP	-40°C to +85°C
TC1026EUA	8-Pin MSOP	-40°C to +85°C
TC43EV	Evaluation Kit for Linear Building Block Family	

FUNCTIONAL BLOCK DIAGRAM

