

LZ8520X

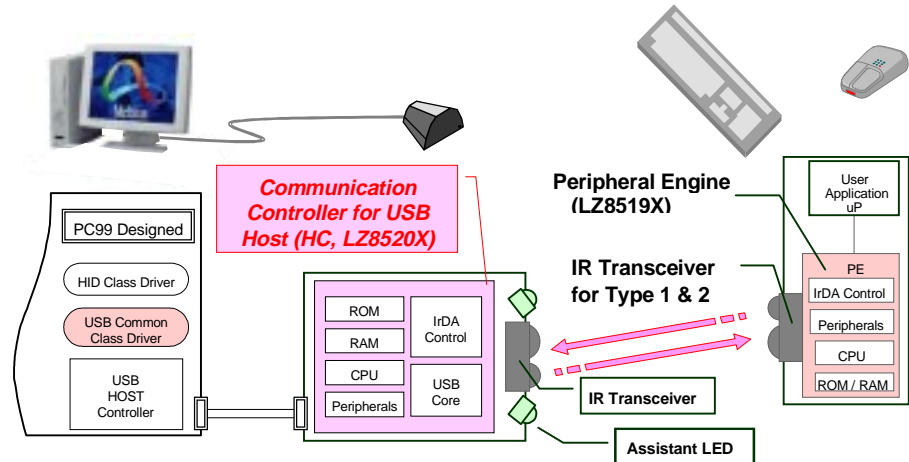
IrDA-Control Single-Chip Host Controller (HC)

IrDA-Control - A New IrDA® Standard for Wireless Command & Control Devices

GENERAL DESCRIPTION:

The Sharp IrDA-Control Host Controller (HC) is a single-chip communication LSI with built-in USB protocol and IrDA-Control protocol (MAC Layer and HID LLC Layer) services. When combined with a Sharp IrDA-Control transceiver (Sharp P/N: GP2W2001YK), an IrDA-Control Host device can be easily implemented. The PC will immediately perform as an IrDA-Control Host device by connecting the implemented Host to the PC by a USB interface. The IrDA-Control Host device is able to maintain

simultaneous multiple wireless links with up to 8 IrDA-Control Peripheral devices. In combination with BIOS that supports USB keyboards in the market place, the Sharp HC will enable wireless links between IrDA-Control mouse and keyboard under DOS mode. For the IrDA-Control Peripheral implementation, Sharp also offers the IrDA-Control Peripheral Engine (PE, Sharp P/N: LZ8519X) as well as transceivers (Sharp P/N: GP2W2001YK/2002YK) as a complete solution for this technology.



FEATURES:

- ❑ All-in-One Single-Chip Communication LSI (Encoder/Decoder, IrDA-Control MAC layer, HID LLC Layer, USB protocol) that implements functions required for compliant IrDA-Control Host devices.
- ❑ Optimized interface to Sharp IrDA-Control Infrared Transceiver (Sharp P/N: GP2W2001YK).
- ❑ Optimized Direct Interface to External Serial EEPROM for address maintenance
- ❑ 12 MHz Single Phase Clock (Built-in Oscillation Circuit)
- ❑ Manual Host Address configuration by DIP switch (recommended)
- ❑ Pinouts provided for various LED indicators - NumLock / Caps Lock / Scroll Lock
- ❑ Single Power Supply (5.0V)

APPLICATIONS

Consumer Home Entertainment

- ☞ Set-top Box for Cable / Satellite / Digital Terrestrial Broadcasting
- ☞ Internet TV / Interactive TV
- ☞ Home Video Games

Computing

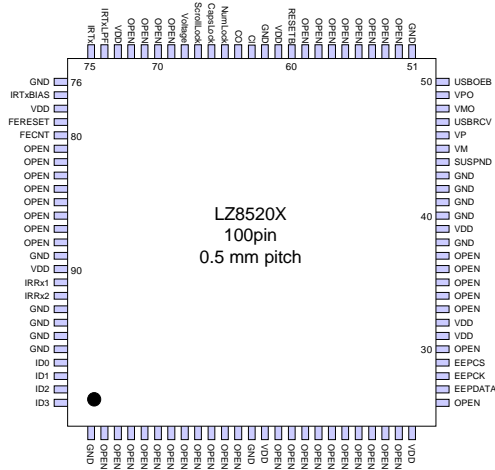
- ☞ Entertainment / Multimedia Desktop PC
- ☞ Notebook PC
- ☞ External IR Adapter ("Dongle")



PRELIMINARY INFORMATION DISCLAIMER

This document is a Preliminary Product Information of Sharp IrDA-Control Host Controller for Host Devices. This product is currently under development, and any of information in this document are applicable only for reference. SHARP holds the right to change any of the information, specifications and alter prices at any time without notice.

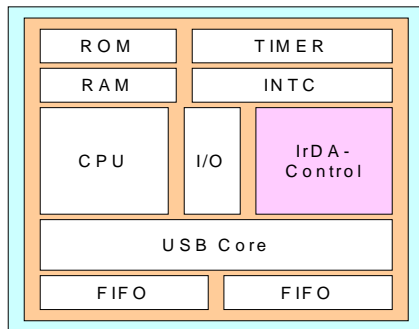
PACKAGE SPECIFICATIONS:



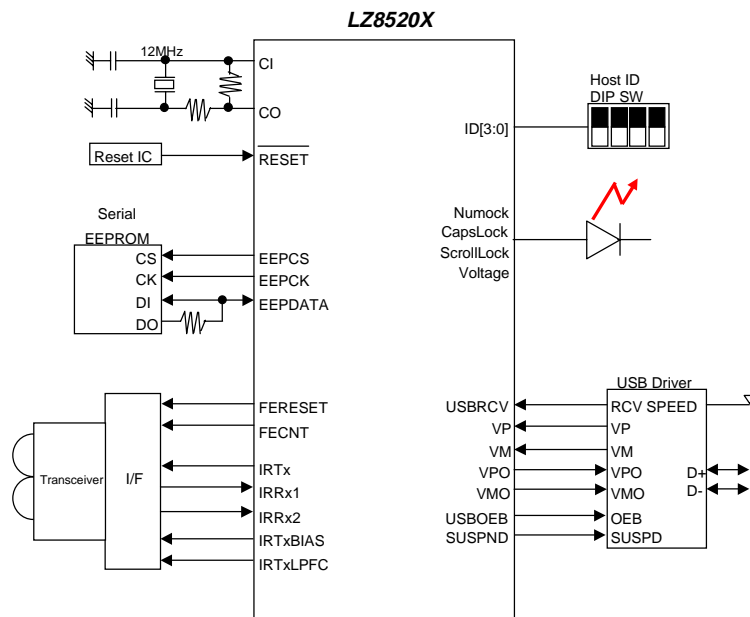
PIN DESCRIPTION:

Pinout	I/O	Function
USB related		
USBRCV	I	USB data receive
VP	I	USB received data D+
VM	I	USB received data D-
VPO	O	USB transmission data D+
VMO	O	USB transmission data D-
USBOEB	O	USB data transmission enable
SUSPND	O	USB driver suspend signal
Transceiver I/F		
IRTx	O	Infrared transmission data
IRTxBIAS	O	Infrared transmission BIAS signal
IRTxLPFC	O	Infrared transmission filter signal
FERESET	O	Infrared transceiver RESET signal
FECNT	O	Infrared transceiver control signal
IRRx1	I	Infrared received signal input 1
IRRx2	I	Infrared received signal input 2
Others		
EEPCS	O	Chip select for serial EEPROM
EEPCK	O	Clock for serial EEPROM
EEPDATA	I/O	Data for serial EEPROM
ID0 ~ ID3	I	IOP input signal
CI	I	System clock oscillation pinout
CO	O	System clock oscillation pinout
NumLock	O	LED indicator output
CapsLock	O	LED indicator output
ScrollLock	O	LED indicator output
VDD	-	Power Supply
GND	-	Power Supply

BLOCK DIAGRAM:



IRDA-CONTROL HOST IMPLEMENTATION EXAMPLE



PRELIMINARY INFORMATION DISCLAIMER

This document is a Preliminary Product Information of Sharp IrDA-Control Host Controller for Host Devices. This product is currently under development, and any of information in this document are applicable only for reference. SHARP holds the right to change any of the information, specifications and alter prices at any time without notice.

LIFE SUPPORT POLICY

SHARP components should not be used in medical devices with life support functions or in safety equipment (or similar applications where component failure would result in loss of life or physical harm) without the written approval of an officer of the SHARP Corporation.

LIMITED WARRANTY

SHARP warrants to its Customer that the Products will be free from defects in material and workmanship under normal use and service for a period of one year from the date of invoice. Customer's exclusive remedy for breach of this warranty is that SHARP will either (i) repair or replace, at its option, any Product which fails during the warranty period because of such defect (if Customer promptly reported the failure to SHARP in writing) or, (ii) if SHARP is unable to repair or replace, refund the purchase price of the Product upon its return to SHARP. This warranty does not apply to any Product which has been subjected to misuse, abnormal service or handling, or which has been altered or modified in design or construction, or which has been serviced or repaired by anyone other than Sharp. The warranties set forth herein are in lieu of, and exclusive of, all other warranties, express or implied. ALL EXPRESS AND IMPLIED WARRANTIES, INCLUDING THE WARRANTIES OF MERCHANTABILITY, FITNESS FOR USE AND FITNESS FOR A PARTICULAR PURPOSE, ARE SPECIFICALLY EXCLUDED. In no event will Sharp be liable, or in any way responsible, for any incidental or consequential economic or property damage.

The above warranty is also extended to Customers of Sharp authorized distributors with the following exception: reports of failures of Products during the warranty period and return of Products that were purchased from an authorized distributor must be made through the distributor. In case Sharp is unable to repair or replace such Products, refunds will be issued to the distributor in the amount of distributor cost.

SHARP reserves the right to make changes in specifications at any time and without notice. SHARP does not assume any responsibility for the use of any circuitry described; no circuit patent licenses are implied.

SHARP®

NORTH AMERICA

SHARP Microelectronics
of the Americas
5700 NW Pacific Rim Blvd., M/S 20
Camas, WA 98607, U.S.A.
Phone: (360) 834-2500
Telex: 49608472 (SHARPCAM)
Facsimile: (360) 834-8903
<http://www.sharpsma.com>

EUROPE

SHARP Electronics (Europe) GmbH
Microelectronics Division
Sonninstraße 3
20097 Hamburg, Germany
Phone: (49) 40 2376-2286
Telex: 2161867 (HEEG D)
Facsimile: (49) 40 2376-2232

ASIA

SHARP Corporation
Integrated Circuits Group
2613-1 Ichinomoto-Cho
Tenri-City, Nara, 632, Japan
Phone: (07436) 5-1321
Telex: LABOMETA-B J63428
Facsimile: (07436) 5-1532