



# Advance Information

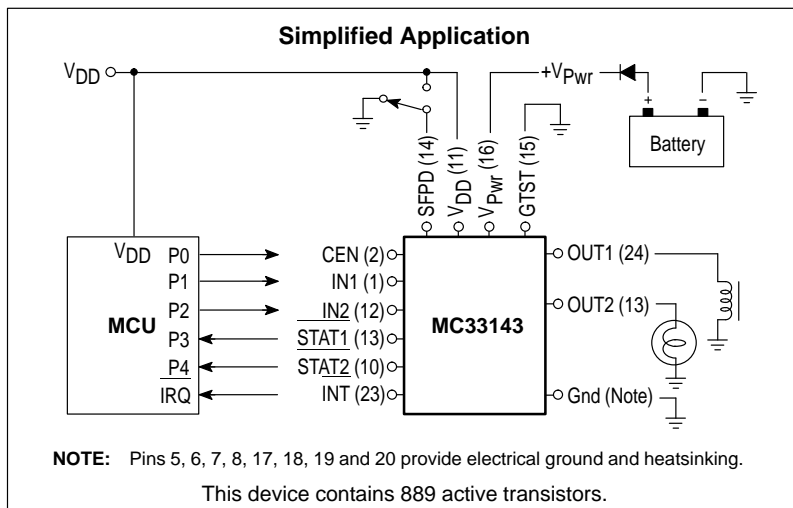
## Dual High-Side Switch

The MC33143 is a dual high-side switch designed for solenoid control in harsh automotive applications, but is well suited for other environments. The device can also be used to control small motors and relays as well as solenoids. The MC33143 incorporates SMARTMOS™ technology, with CMOS logic, bipolar/MOS analog circuitry, and DMOS power outputs. An internal charge pump is incorporated for efficient gate enhancement of the internal high-side power output devices. The outputs are designed to provide current to low impedance solenoids. The MC33143 provides individual output fault status reporting along with internal Overcurrent and Over Temperature protection. The device also has Overvoltage protection, with automatic recovery, which “globally” disables both outputs for the duration of an Overvoltage condition. Each output has individual Overcurrent and Over Temperature shutdown with automatic retry recovery. Outputs are enabled with a CMOS logic high signal applied to an input to providing true logic control. The outputs, when turned on, provide full supply (battery) voltage across the solenoid coil.

The MC33143 is packaged in an economical 24 pin surface mount power package and specified over an operating voltage of  $5.5\text{ V} \leq V_{Pwr} < 26\text{ V}$  for  $-40^\circ\text{C} \leq T_A \leq 125^\circ\text{C}$ .

- Designed to Operate Over Wide Supply Voltages of 5.5 V to 26 V
- Dual High-Side Outputs Clamped to -10 V for Driving Inductive Loads
- Internal Charge Pump for Enhanced Gate Drive
- Interfaces Directly to a Microcontroller with Parallel Input Control
- Outputs Current Limited to 3.0 A to 6.0 A for Driving Incandescent Loads
- Chip Enable “Sleep Mode” for Power Conservation
- Individual Output Status Reporting
- Fault Interrupt Output for System Interrupt Use
- Output ON or OFF Open Load Detection
- Overvoltage Detection and Shutdown
- Output Over Temperature Detection and Shutdown with Automatic Retry
- Sustained Current Limit or Immediate Overcurrent Shutdown Output Modes
- Output Short to Ground Detection and Shutdown with Automatic Retry
- Output Short to  $V_{Pwr}$  Detection

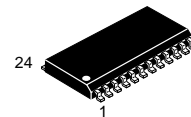
SMARTMOS is a trademark of Motorola, Inc.



# MC33143

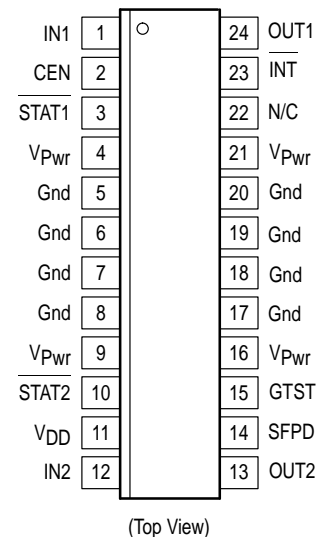
## DUAL HIGH-SIDE SWITCH

### SEMICONDUCTOR TECHNICAL DATA



**DW SUFFIX**  
PLASTIC PACKAGE  
CASE 751E  
(SOP (16+4+4)L)

### PIN CONNECTIONS



### ORDERING INFORMATION

Device	Operating Temperature Range	Package
MC33143DW	$T_A = -40^\circ$ to $+125^\circ\text{C}$	SOP-24L



# MC33143

**DC ELECTRICAL CHARACTERISTICS** (Characteristics noted under conditions  $9.0\text{ V} \leq V_{PWR} \leq 17\text{ V}$ ,  $4.5\text{ V} \leq V_{DD} \leq 5.5\text{ V}$ ,  $-40^\circ\text{C} \leq T_L \leq 125^\circ\text{C}$ , unless otherwise noted, typical values represent approximate mean at  $T_L = 25^\circ\text{C}$ .)

Characteristic	Symbol	Min	Typ	Max	Unit
<b>POWER INPUT</b>					
Supply Voltage Range (Operational)	$V_{PWR}$	9.0	–	17	V
Supply Current (Note 1) Both Outputs ON ( $CEN = IN1 = IN2 = 0.7 \times V_{DD}$ , $I_{O1} = I_{O2} = -1.0\text{ A}$ )	$I_{PWR}$	0.1	4.2	7.0	mA
Standby ( $CEN = 0.7 \times V_{DD}$ , $IN1 = IN2 = 0.3 \times V_{DD}$ , $R_L = 12\ \Omega$ )	$I_{PWR(sby)}$	–	3.9	7.0	mA
“Sleep State” ( $CEN = IN1 = IN2 = 0.3 \times V_{DD}$ , $R_L = 12\ \Omega$ )	$I_{PWR(sleep)}$	–	0.2	300	$\mu\text{A}$
Logic Supply Voltage Range	$V_{DD}$	4.5	–	5.5	V
Logic Supply Current Both Outputs ON ( $IN1 = IN2 = 0.7 \times V_{DD}$ , $I_{O1} = I_{O2} = -1.0\text{ A}$ )	$I_{DD}$	–	0.43	5.0	mA
Overvoltage Shutdown (Note 2)	$V_{PWR(ovsd)}$	30	33.2	38	V
Overvoltage Shutdown Hysteresis	$V_{PWR(hys)}$	0.3	0.5	1.5	V

**NOTES:** 1. Supply current when both outputs are ON and during standby are measured in the Ground pin while during “sleep state” is measured in the  $V_{PWR}$  pin.  
2. Overvoltage Shutdown causes enabled outputs to be forced OFF; Overvoltage fault is immediately reported.

**DC ELECTRICAL CHARACTERISTICS** (Characteristics noted under conditions  $9.0\text{ V} \leq V_{PWR} \leq 17\text{ V}$ ,  $4.5\text{ V} \leq V_{DD} \leq 5.5\text{ V}$ ,  $-40^\circ\text{C} \leq T_L \leq 125^\circ\text{C}$ , unless otherwise noted, typical values represent approximate mean at  $T_L = 25^\circ\text{C}$ .)

Characteristic	Symbol	Min	Typ	Max	Unit
<b>POWER OUTPUT</b>					
Drain-to-Source ON Resistance (Note 1) ( $T_J = 25^\circ\text{C}$ , $CEN = IN1 = IN2 = 0.7 \times V_{DD}$ ) $I_O = -0.5\text{ A}$ , $V_{PWR} = 5.5\text{ V}$ $I_O = -1.0\text{ A}$ , $V_{PWR} = 14\text{ V}$ $I_O = -2.0\text{ A}$ , $V_{PWR} = 24\text{ V}$	$R_{DS(on)}$	–	0.2	0.5	$\Omega$
Drain-to-Source ON Resistance (Note 1) ( $T_J = 125^\circ\text{C}$ , $CEN = IN1 = IN2 = 0.7 \times V_{DD}$ ) $I_O = -0.5\text{ A}$ , $V_{PWR} = 5.5\text{ V}$ $I_O = -1.0\text{ A}$ , $V_{PWR} = 14\text{ V}$ $I_O = -2.0\text{ A}$ , $V_{PWR} = 24\text{ V}$	$R_{DS(on)}$	–	–	1.0	$\Omega$
Output Self-Limiting Current (Note 2) ( $CEN = IN1 = IN2 = SFPD = 0.7 \times V_{DD}$ , $R_L = 0\ \Omega$ )	$I_{O(Lim)}$	-3.0	-4.1	-6.0	A
Output OFF Leakage Current ( $CEN = 0.7 \times V_{DD}$ , $IN1 = IN2 = 0.3 \times V_{DD}$ )	$I_{O(Lkg)}$	-5.0	-45	-150	$\mu\text{A}$
Output OFF Open Load Sense Current ( $CEN = 0.7 \times V_{DD}$ , $IN1 = IN2 = 0.3 \times V_{DD}$ )	$I_{O(Sense)}$	-5.0	-45	-150	$\mu\text{A}$
Output ON Open Load Detection Current (Note 3) ( $CEN = IN1 = IN2 = 0.7 \times V_{DD}$ ) $T_L = -40^\circ\text{C}$ $T_L = 125^\circ\text{C}$	$I_{O(On)}$	-2.0	-145	-200	mA
Output Clamp Voltage (Note 4) ( $CEN = 0.7 \times V_{DD}$ , $IN1 = IN2 = 0.3 \times V_{DD}$ ) $I_O = -20\text{ mA}$ $I_O = -200\text{ mA}$	$V_{Clamp}$	-9.0	-13.2	-20	V
Over Temperature Shutdown Range (Note 5) ( $CEN = IN1 = IN2 = SFPD = 0.7 \times V_{DD}$ )	$T_{Lim}$	155	–	185	$^\circ\text{C}$
Over Temperature Shutdown Hysteresis (Note 6)	$T_{Lim(hys)}$	–	–	15	$^\circ\text{C}$

**NOTES:** 1.  $R_{DS(on)}$  applies to OUT1, OUT2 and is independent of output current.  
2. Applies to each output; each output has independent self-limiting source current feature; Over Current and Short-to-Ground defined as condition when output source current exceeds  $I_{O(Lim)}$ ; Device ignores Over Current and Short-to-Ground faults from 0 to  $t_{SS}$ .  
3. Applies to each output; tested for by ramping  $I_O$  from 0 until  $STAT \leq 0.7 \times V_{DD}$ ; defined as the condition when  $I_O$  is outside of  $I_{O(On)}$  current window.  
4. Applies to each output; each output has independent dynamic output voltage clamping feature.  
5. Applies to each output; each output has independent thermal shutdown; parameter is measured by ramping temperature until enabled output is disabled; parameter is established by design but is not production tested; thermal fault is immediately reported.  
6. Parameter is established by design but is not production tested.

**DC ELECTRICAL CHARACTERISTICS** (Characteristics noted under conditions  $9.0\text{ V} \leq V_{PWR} \leq 17\text{ V}$ ,  $4.5\text{ V} \leq V_{DD} \leq 5.5\text{ V}$ ,  $-40^\circ\text{C} \leq T_L \leq 125^\circ\text{C}$ , unless otherwise noted, typical values represent approximate mean at  $T_L = 25^\circ\text{C}$ .)

Characteristic	Symbol	Min	Typ	Max	Unit
<b>CONTROL INTERFACE</b>					
Input Control Logic High ( $I_O = -0.1\text{ A}$ ) (Note 1) Logic Low ( $I_O = 0$ ) (Note 2)	$V_{IH}$ $V_{IL}$	0.7 –	0.56 0.52	– 0.3	$V_{DD}$
Input Logic Voltage Hysteresis ( $V_{IH} - V_{IL}$ )	$V_{hys}$	50	250	500	mV
Input Pull-Down Current ( $0.3 \times V_{DD} \leq V_{in} < 0.7 \times V_{DD}$ ) (Note 3)	$I_{in(pd)}$	20	44	100	$\mu\text{A}$
Chip-Enable Threshold Logic Low (Note 4) Logic High (Note 5)	$V_{CEN(IL)}$ $V_{CEN(IH)}$	– 0.7	0.5 0.5	0.3 –	$V_{DD}$
Chip-Enable Hysteresis ( $V_{CEN(IH)} - V_{CEN(IL)}$ )	$V_{CEN(hys)}$	50	150	500	mV
Chip-Enable Pull-Up Current ( $CEN = 0.7 \times V_{DD}$ )	$I_{CEN(pu)}$	-2.0	-16.8	-40	$\mu\text{A}$
Status Low Voltage ( $I_{in} = 600\text{ }\mu\text{A}$ ) (Note 6)	$V_{STAT(low)}$	–	0.07	0.2	$V_{DD}$
Status Pull-Up Current (Note 7)	$I_{STAT(pu)}$	-20	-44	-100	$\mu\text{A}$
Interrupt (Note 8) Logic High Logic Low	$\overline{INT}_h$ $INT_l$	0.7 –	– –	– 0.3	$V_{DD}$

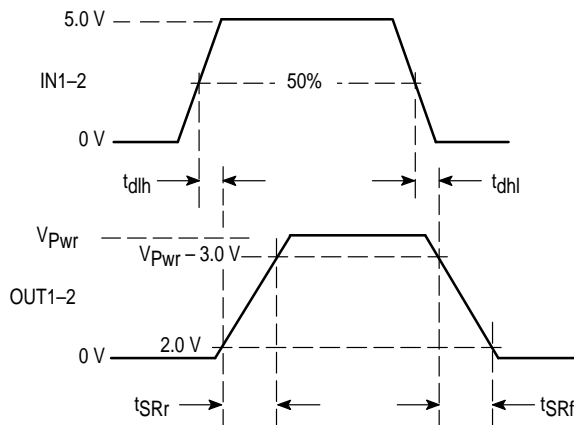
- NOTES:**
- Upper logic threshold voltage applies to IN1, IN2, and SFPD and expressed in  $V_{DD}$  units
  - Lower logic threshold voltage applies to IN1, IN2, and SFPD and expressed in  $V_{DD}$  units.
  - Applies to IN1, IN2, and SFPD.
  - Initially have  $CEN = 0.7 \times V_{DD}$ , Ramp CEN down from  $V_{DD}$  until  $I_O = 0$  and note disabling point.
  - Initially have  $V_{in} = 0.7 \times V_{DD}$ , Ramp CEN up from ground until  $I_O = 0.1\text{ A}$  and note enabling point.
  - Applies equally to STAT1–2 and INT outputs; Measured threshold voltage by applying an “open” fault to OUT1 or OUT2 while forcing  $600\text{ }\mu\text{A}$  of current into STAT1–2 or INT.
  - Measured with no faults on OUT1–2,  $V_{STAT} = V_{INT} = 0.8 \times V_{DD}$ .
  - The Interrupt output has an internal active current pull-up.

**DC ELECTRICAL CHARACTERISTICS** (Characteristics noted under conditions  $9.0\text{ V} \leq V_{PWR} \leq 17\text{ V}$ ,  $4.5\text{ V} \leq V_{DD} \leq 5.5\text{ V}$ ,  $-40^\circ\text{C} \leq T_L \leq 125^\circ\text{C}$ , unless otherwise noted, typical values represent approximate mean at  $T_L = 25^\circ\text{C}$ .)

Characteristic	Symbol	Min	Typ	Max	Unit
<b>OUTPUT DYNAMICS</b>					
Output Short Sense Time (Note 1)	$t_{ss}$	30	54	100	$\mu\text{s}$
Output Short Refresh Time (Note 2)	$t_{ref}$	3.0	4.1	6.0	ms
Output Open Sense ON Time (Note 3)	$t_{os(on)}$	3.0	6.4	12	ms
Output Propagation Delay Turn-On (Output Low to High) (Note 4) Turn-Off (Output High to Low) (Note 5)	$t_{dlh}$ $t_{dhl}$	– –	7.2 40	50 75	$\mu\text{s}$
Output Slew Rate Output Rising (Note 6) Output Falling (Note 7)	$SR_r$ $SR_f$	0.2 0.2	11 2.6	10 10	$\text{V}/\mu\text{s}$

- NOTES:**
- $CEN = 0.7 \times V_{DD}$ ,  $SFPD = 0.3 \times V_{DD}$ ,  $R_L = 0$ , Step  $V_{in}$  from  $0.3 \times V_{DD}$  to  $0.7 \times V_{DD}$ ; Sense time measured from step until  $STAT = 0.2 \times V_{DD}$ .
  - $CEN = IN1 = IN2 = 0.7 \times V_{DD}$ ,  $R_L = 0$ ; Refresh time measured from output disable until output is re-enabled.
  - $R_L = \text{“open”}$ , Step  $V_{in}$  from ground to  $0.7 \times V_{DD}$ , Open sense time measured from step until  $V_{STAT} \leq 0.2 \times V_{DD}$ .
  - $R_L = 12\text{ }\Omega$ ,  $C_L = 0.01\text{ }\mu\text{F}$ , step  $V_{in}$  from  $V_{IL}$  to  $V_{IH}$ ; Turn-On propagation measured from  $V_{in} = 0.5 \times V_{DD}$  until  $V_{out} = 2.0\text{ V}$  (see Figure 2).
  - $R_L = 12\text{ }\Omega$ ,  $C_L = 0.01\text{ }\mu\text{F}$ , step  $V_{in}$  from  $V_{IH}$  to  $V_{IL}$ ; Turn-Off propagation measured from  $V_{out} = V_{PWR} - 3.0\text{ V}$  until  $V_{out} = 2.0\text{ V}$  (see Figure 2).
  - $R_L = 12\text{ }\Omega$ ,  $C_L = 0.01\text{ }\mu\text{F}$ , step  $V_{in}$  from  $V_{IL}$  to  $V_{IH}$ ; Output Slew Rate measured from  $2.0\text{ V}$  to  $V_{PWR} - 3.0\text{ V}$  (see Figure 2).
  - $R_L = 12\text{ }\Omega$ ,  $C_L = 0.01\text{ }\mu\text{F}$ , step  $V_{in}$  from  $V_{IH}$  to  $V_{IL}$ ; Output Slew Rate measured from  $V_{PWR} - 3.0\text{ V}$  to  $2.0\text{ V}$  (see Figure 2).

Figure 2. Output Response Waveform



PIN FUNCTION DESCRIPTION

Pin	Symbol	Description
1, 12	IN1, IN2	INput 1 and INput 2 (IN1 and IN2) respectively determine the state of the corresponding output drivers (OUT1 and OUT2) under normal operating conditions. When an input is high, it's corresponding output is active ON, and when low is disabled OFF. IN1 and IN2 have internal active pull-downs which allow a floating input pin to be conservatively interpreted as a logic low, turning Off the output. An unused input should be connected to ground.
2	CEN	Chip Enable (CEN) input pin, when low, disables both outputs (OUT1 and OUT2) and places the device in a "sleep mode" reducing the bias current required from $V_{DD}$ and $V_{Pwr}$ . A falling edge of CEN causes OUT1 and OUT2 to rapidly turn OFF. A falling edge of CEN should precede any $V_{DD}$ shutdown to allow time OUT1 and OUT2 to be disabled. When CEN is low, INTerrupt (INT) and STATus 1 and 2 (STAT1-2) will be tri-stated (high impedance). The CEN pin can also be used for power-on reset and under voltage lockout to disable the outputs for power supply voltages less than 4.5 V. CEN is a dependent input from the system microcontroller unit (MCU) or some other integrated circuit. It has an internal pull-up resistor to $V_{DD}$ affording a floating pin to be interpreted as a logic high. $R_{pull-up}$ is greater than 50 k $\Omega$ . If used externally, this pin should be connected to $V_{DD}$ .
3, 10	STAT1, STAT2	The STATus pins (STAT1-2) respectively indicate the presence of faults on OUT1-2. STAT1-2 will be logic high during normal operation. A logic low will occur whenever an Open Load, Short-to-Ground, Short-to-Supply (Battery), Thermal Limit, or Overvoltage Shutdown fault condition is experienced on a corresponding output. STAT1-2 are both active low digital drivers. A 10 k $\Omega$ resistor between STAT1-2 and the system CPU may improve a Failure Mode Evaluation Analysis (FMEA) score if STAT1-2 are externally shorted to $V_{Pwr}$ . If unused, this pin should be left connected.
4, 9, 16, 21	$V_{Pwr}$	These pins are connected to the supply and provide load current to the DMOS outputs, are used pumping the DMOS gates, and for Overvoltage shutdown detection of the DMOS. The DMOS outputs will turn ON with 5.5 to 24 V applied to $V_{Pwr}$ . $V_{Pwr}$ is limited to -1.5 V for a maximum duration of 250 ms. A 10 nF de-coupling cap is recommended to be used from $V_{Pwr}$ to Ground.
5, 6, 7, 8, 17, 18, 19, 20	Gnd	These eight pins constitute the circuits ground (Gnd) and also provide heatsinking for the DMOS output transistors. Ground continuity is required for the outputs2 to turn ON.
11	$V_{DD}$	This pin is to be connected to the 5.0 V logic supply of the system. A 10 nF de-coupling capacitor is recommended from $V_{DD}$ to Gnd.
13, 24	OUT1, OUT2	These pins are connected internally to the DMOS output transistors which source current into the corresponding load. Each output incorporates dynamic clamping to accommodate inductive loads. In addition, each output has independent short to ground detection and protection, current limit detection and protection, thermal limit detection and protection, ON open load and or short to supply (battery) detection. Neither output will turn ON if CEN is logic low. An unused output should be connected to a 10 k $\Omega$ load to prevent false fault reporting. A 1.0 nF filter capacitor may be used from OUT to Gnd to provide dV/dt noise filtering.

## PIN FUNCTION DESCRIPTION (continued)

Pin	Symbol	Description
14	SFPD	This is a Short Fault Protect Disable (SFPD) input; which when logic high disables the internal current limit timer preventing OUT1–2 from latching OFF when confronted with an overcurrent condition. The condition of SFPD does not affect fault reporting. Current and thermal limit remain active when the SFPD pin is logic high. Having the SFPD pin logic high facilitates the device to drive incandescent lamp loads with peak in–rush currents in excess of three amperes. When SFPD is logic low, an overcurrent demand will latch OFF only the output affected. The device will then automatically begin active re–enabling of the corresponding output affected for the duration of the overcurrent condition. SFPD has an internal active pull–down which affords a floating input pin condition to be conservatively interpreted as a logic low. A 10 k $\Omega$ resistor between SFPD and the system CPU may improve the FMEA score if SFPD is externally shorted to OUT2. SFPD should be connected to Gnd or V <sub>DD</sub> for the desired operating mode and not be left “floating”.
15	GTST	The Gate TeST (GTST) pin is used to stress the devices DMOS gates during testing operations. This pin should normally be connected to ground in the application.
23	INT	The INTerrupt pin INT is active logic low and indicates the presence of a fault on either the output. INT can be paralleled with additional fault pins <u>and used</u> as a system CPU interrupt to indicate the <u>presence</u> of a fault. The system CPU can then read STAT1–2 to determine the specific type of fault occurring. INT will be <u>logic high</u> during normal operation. A logic low will result if a fault occurs on either OUT1 or <u>OUT2</u> . INT has an internal active pull–up and requires no external pull–up <u>resistor</u> to be used. The INT output <u>has sufficient</u> current drive capability to afford paralleling of <u>up to</u> five INT pins. A 10 k $\Omega$ resistor between INT and the system CPU may improve the FMEA score if INT is externally shorted to OUT1. This pin should be left unconnected if the feature is not used.

Figure 3. Function Table

Device Condition	In	Out	STAT	Output Condition	STAT Condition
Normal	Low High	Low High	High High	Normal OFF Normal ON	Normal Normal
Output to Gnd Short	Low High	Low High/Low	High Low	Normal OFF Output in active retry mode. Normal ON when short is removed.	Normal Short fault reported. Fault clears when short is removed.
Open Load	Low High	High High	Low Low	Normal OFF Normal ON	“OFF” open fault reported. Fault clears when load is connected. “ON” open fault reported. Fault clears when load is connected.
Output to V <sub>PWR</sub> Short	Low High	High High	Low Low	Normal OFF Normal ON	“OFF” open fault reported. Fault clears when short is removed. “ON” open fault reported. Fault clears when short is removed.
Over Temperature	Low High	Low Low	Low Low	Normal OFF Output disabled. Output Retries with no thermal limit.	Thermal fault reported. Fault clears with no thermal limit. Thermal fault reported. IN low and no thermal limit required to clear the fault.
V <sub>PWR</sub> Overvoltage	Low High	Low Low	Low Low	Normal OFF Output disabled. Will reset with no overvoltage.	Overvoltage fault reported. Fault clears with no overvoltage. Overvoltage fault reported. Fault clears with no overvoltage.
“Sleep”/Under Voltage Mode, CEN Low	Low High	Low Low	High–Z High–Z	Output disabled. Output disabled.	STAT tri–stated, no faults reported. STAT tri–stated, no faults reported.

## FUNCTIONAL DESCRIPTION

**General**

The MC33143 is designed as an interface device; between system's electronic control unit and the actuators. It is designed to withstand several abnormal operating conditions, with the capability of reporting it's operating status back to the control unit. The MC33143 will resume normal operation after having experienced 60 V transients on the  $V_{PWR}$  line, output shorts to  $V_{PWR}$ , open loads, output shorts to ground, over current, over temperature, or overvoltage conditions. Status information is available when ever a load experiences any of the faults. In addition, the MC33143 device incorporates internal output transient clamps allowing it to control inductive loads and survive negative voltage spikes without the need of external components.

**Power Supply Voltage Requirements**

The MC33143 is designed to operate with 5.5 V to 26 V applied to the power supply pin ( $V_{PWR}$ ) and 4.5 V to 5.5 V applied to the logic supply pin ( $V_{DD}$ ). If  $V_{PWR}$  is above the specified Overvoltage Shutdown voltage limit ( $V_{PWR(ovsd)}$ ) the outputs will be disabled and the status line voltage will transition to a low logic state indicating a fault.

When the CEN voltage is at a low logic state, OUT1 and OUT2 will turn OFF. This provides an under voltage shutdown for  $V_{PWR}$  in the 0 to 4.5 V range. The active low under voltage must be externally provided to the CEN pin.

The MC33143 is designed to survive the loss of  $V_{PWR}$ .

**Normal Operations**

The MC33143 is considered to be operating normal when the following conditions are met:

- 1)  $5.5\text{ V} \leq V_{PWR} \leq 26\text{ V}$ .
- 2)  $-40^{\circ}\text{C} \leq T_J \leq 150^{\circ}\text{C}$ .
- 3) When load currents ( $I_O$ ) exceed the Output Open "ON" detection current ( $I_{O(on)}$ ) and occur within the Open Sense "ON" time ( $t_{OS(on)}$ ) window.
- 4) When load currents ( $I_O$ ) are less than the Output Limit Current ( $I_{O(Lim)}$ ) for durations in excess of the Short Sense time ( $t_{SS}$ ).
- 5) So long as the output of the device is able to clamp negative voltages produced when switching inductive loads to the specified clamp voltage ( $V_{Clamp}$ ).

**Fault Conditions**

Anytime the MC33143 is not operating normal it is said to be operating in a "faulted condition". Fault conditions will result in level changes of the status outputs (STAT1–2) and disable the affected faulted output.

**Output Over Current/Short to Ground Faults**

For an enabled input, the status line voltage will transition to a low logic level if the output current equals or exceeds the Output Limit current ( $I_{O(Lim)}$ ) for a period of time in excess of the Short Sense time ( $t_{SS}$ ). Only the affected output will turn off; independent of the corresponding input's condition. The device incorporates an internal short duration Refresh timer

( $t_{ref}$ ) to mask edge transients due to switching noise. The output will remain off for the short  $t_{ref}$  duration and then attempt to re-energize the shorted load. The internal protection circuitry continues to be active during this process. If the short is not removed; the circuitry will sequence and the output will remain off for a another  $t_{ref}$  time. This process will continue so long as the output remains shorted and the input remains in a logic high state. If the short is removed from the output, while the input is ON, the MC33143 will return to normal operation and the status line will go to a logic high state after the  $t_{ref}$  time-out. The status line will also go to a logic high state on the falling edge of the corresponding input.

**Open Load/Short to  $V_{PWR}$  Fault**

This condition is commonly referred to as an "ON" open fault. For this fault to be present, the output current of the driver must be at or near zero. Since the MC33143 is a "high-side switch"; It is for this reason a Short to  $V_{PWR}$  fault resembles an Open Load fault, in so far as the MC33143 is concerned. When this fault is present the status line voltage will transition to a low logic level so long as the output current does not exceed the specified Open ON detection current ( $I_{O(on)}$ ) for a duration in excess of the specified Open Sense ON time ( $t_{OS(on)}$ ). If the open load or output short to  $V_{PWR}$  condition is removed, and the corresponding input is at a logic high state, the status line voltage will go to a logic high state after the drain current has exceeded  $I_{O(on)}$ . The ON open fault detection circuit incorporates a voltage comparator which monitors the voltage difference from  $V_{PWR}$  to OUT. When ever the  $V_{PWR}$  to OUT voltage difference falls below 10 mV an ON Open fault is reported. A Short to  $V_{PWR}$  external to any module the MC33143 is in will not be detected as an ON Open fault if the voltage difference from  $V_{PWR}$  to OUT is greater than 10 mV.  $V_{PWR}$  line voltage drops directly impact this detection ability.

**Overvoltage Fault**

When this fault is present the status line voltage will transition to a logic low state when  $V_{PWR}$  exceeds the specified Overvoltage Shutdown threshold  $V_{PWR(ovsd)}$ . This fault produces a "global" response on the part of the MC33143 by turning OFF both outputs independent of input conditions. The outputs will resume normal operation when  $V_{PWR}$  drops the specified Overvoltage Hysteresis  $V_{PWR(hys)}$  value.

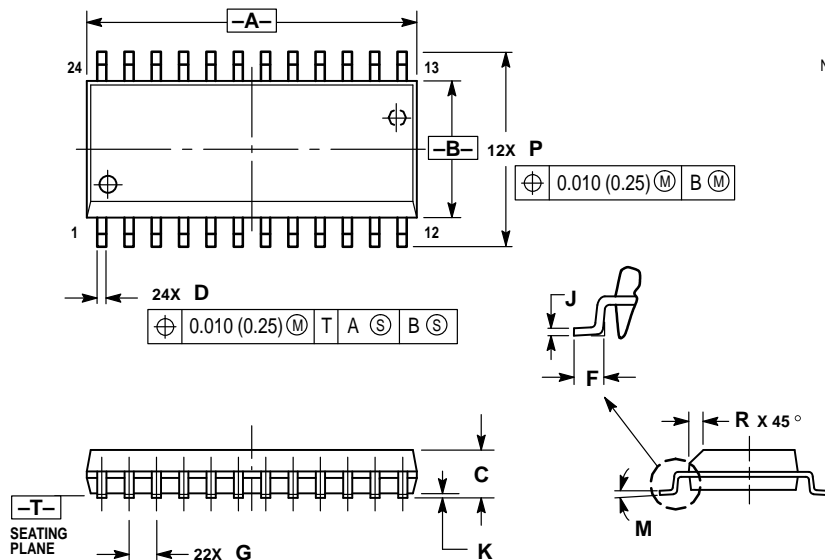
**Over Temperature Fault**

When this fault is present the status line voltage transitions to a low logic level when the junction temperature of either output exceeds the specified Thermal Limit threshold ( $T_{Lim}$ ). Only the specific faulted output will shutdown independent of the input condition. The other output will continue to operate in a normal fashion unless it also becomes faulted. The thermally faulted output will resume normal operation when the junction temperature drops the specified Over Temperature Shutdown Hysteresis ( $T_{Lim(hys)}$ ) amount.

# MC33143

## OUTLINE DIMENSIONS

**DW SUFFIX**  
**PLASTIC PACKAGE**  
**CASE 751E-04**  
**(SOP (16+4+4)L)**  
**ISSUE E**



- NOTES:
1. DIMENSIONING AND TOLERANCING PER ANSI Y14.5M, 1982.
  2. CONTROLLING DIMENSION: MILLIMETER.
  3. DIMENSIONS A AND B DO NOT INCLUDE MOLD PROTRUSION.
  4. MAXIMUM MOLD PROTRUSION 0.15 (0.006) PER SIDE.
  5. DIMENSION D DOES NOT INCLUDE DAMBAR PROTRUSION. ALLOWABLE DAMBAR PROTRUSION SHALL BE 0.13 (0.005) TOTAL IN EXCESS OF D DIMENSION AT MAXIMUM MATERIAL CONDITION.

DIM	MILLIMETERS		INCHES	
	MIN	MAX	MIN	MAX
A	15.25	15.54	0.601	0.612
B	7.40	7.60	0.292	0.299
C	2.35	2.65	0.093	0.104
D	0.35	0.49	0.014	0.019
F	0.41	0.90	0.016	0.035
G	1.27 BSC		0.050 BSC	
J	0.23	0.32	0.009	0.013
K	0.13	0.29	0.005	0.011
M	0°	8°	0°	8°
P	10.05	10.55	0.395	0.415
R	0.25	0.75	0.010	0.029

Motorola reserves the right to make changes without further notice to any products herein. Motorola makes no warranty, representation or guarantee regarding the suitability of its products for any particular purpose, nor does Motorola assume any liability arising out of the application or use of any product or circuit, and specifically disclaims any and all liability, including without limitation consequential or incidental damages. "Typical" parameters which may be provided in Motorola data sheets and/or specifications can and do vary in different applications and actual performance may vary over time. All operating parameters, including "Typicals" must be validated for each customer application by customer's technical experts. Motorola does not convey any license under its patent rights nor the rights of others. Motorola products are not designed, intended, or authorized for use as components in systems intended for surgical implant into the body, or other applications intended to support or sustain life, or for any other application in which the failure of the Motorola product could create a situation where personal injury or death may occur. Should Buyer purchase or use Motorola products for any such unintended or unauthorized application, Buyer shall indemnify and hold Motorola and its officers, employees, subsidiaries, affiliates, and distributors harmless against all claims, costs, damages, and expenses, and reasonable attorney fees arising out of, directly or indirectly, any claim of personal injury or death associated with such unintended or unauthorized use, even if such claim alleges that Motorola was negligent regarding the design or manufacture of the part. Motorola and are registered trademarks of Motorola, Inc. Motorola, Inc. is an Equal Opportunity/Affirmative Action Employer.

**How to reach us:**

**USA/EUROPE/Locations Not Listed:** Motorola Literature Distribution; P.O. Box 20912; Phoenix, Arizona 85036. 1-800-441-2447 or 602-303-5454

**JAPAN:** Nippon Motorola Ltd.; Tatsumi-SPD-JLDC, 6F Seibu-Butsuryu-Center, 3-14-2 Tatsumi Koto-Ku, Tokyo 135, Japan. 03-81-3521-8315

**ASIA/PACIFIC:** Motorola Semiconductors H.K. Ltd.; 8B Tai Ping Industrial Park, 1 Ting Kok Road, Tai Po, N.T., Hong Kong. 852-26629298

