
HAT1029R

Silicon P Channel Power MOS FET
High Speed Power Switching

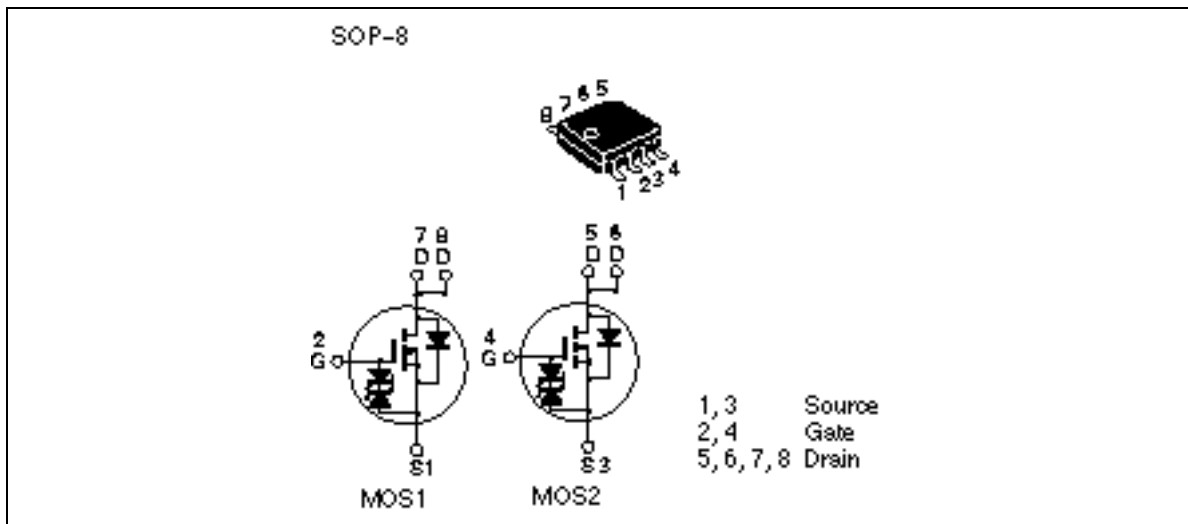
HITACHI

ADE-208-522 (Z)
1st. Edition
May 1997

Features

- Low on-resistance
- Capable of 2.5 V gate drive
- Low drive current
- High density mounting

Outline



HAT1029R

Absolute Maximum Ratings (Ta = 25°C)

Item	Symbol	Ratings	Unit
Drain to source voltage	V _{DSS}	-20	V
Gate to source voltage	V _{GSS}	±10	V
Drain current	I _D	-3.5	A
Drain peak current	I _{D(pulse)} ^{Note1}	-28	A
Body-drain diode reverse drain current	I _{DR}	-3.5	A
Channel dissipation	P _{ch} ^{Note2}	2	W
Channel dissipation	P _{ch} ^{Note3}	3	W
Channel temperature	T _{ch}	150	°C
Storage temperature	T _{stg}	-55 to +150	°C

Note: 1. PW ≤ 10μs, duty cycle ≤ 1 %

2. 1 Drive operation : When using the glass epoxy board (FR4 40 x 40 x 1.6 mm), PW² 10s

3. 2 Drive operation : When using the glass epoxy board (FR4 40 x 40 x 1.6 mm), PW² 10s

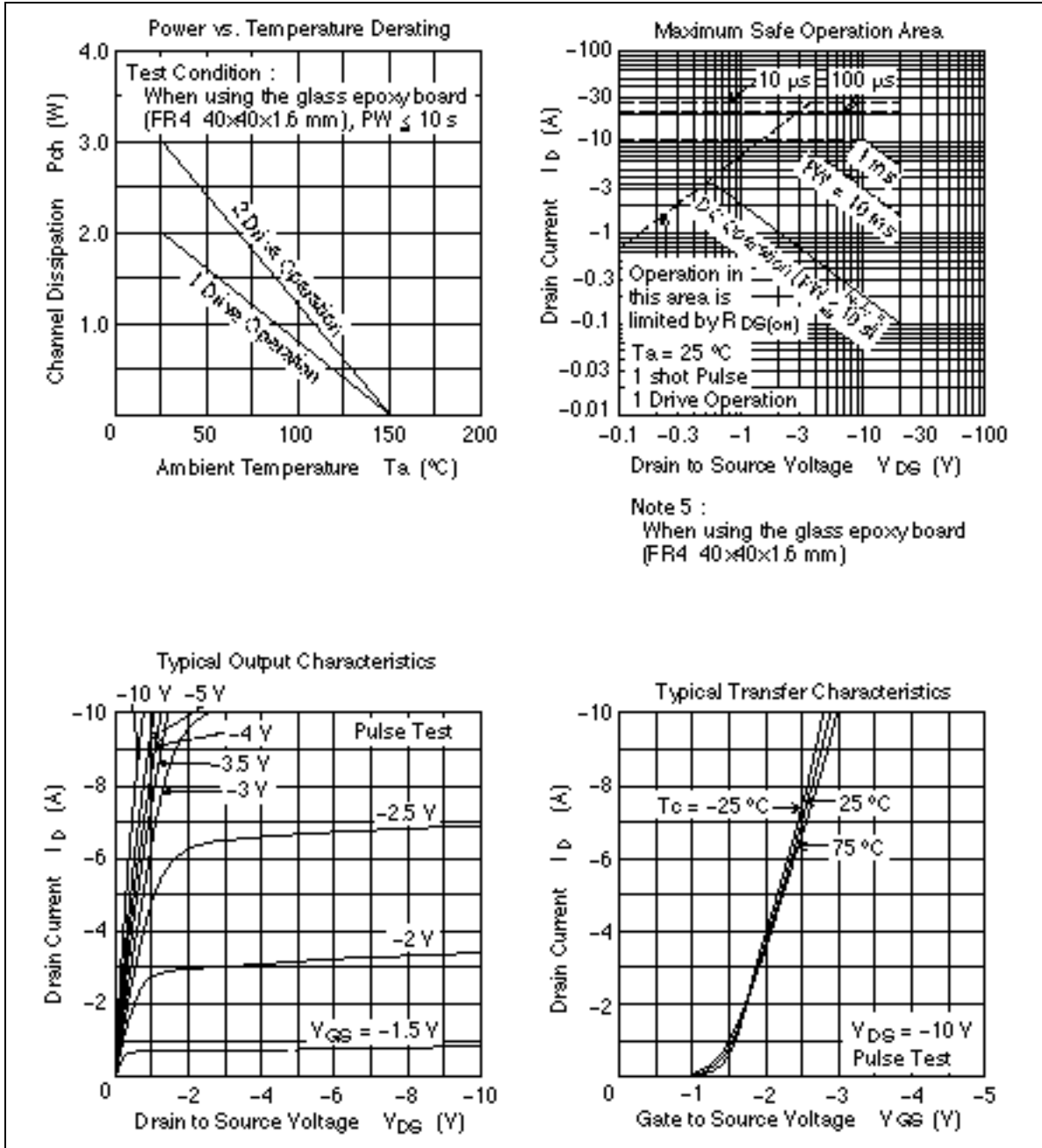
Electrical Characteristics (Ta = 25°C)

Item	Symbol	Min	Typ	Max	Unit	Test Conditions
Drain to source breakdown voltage	$V_{(BR)DSS}$	-20	—	—	V	$I_D = -10\text{mA}$, $V_{GS} = 0$
Gate to source breakdown voltage	$V_{(BR)GSS}$	± 10	—	—	V	$I_G = \pm 100\mu\text{A}$, $V_{DS} = 0$
Gate to source leak current	I_{GSS}	—	—	± 10	μA	$V_{GS} = \pm 8\text{V}$, $V_{DS} = 0$
Zero gate voltage drain current	I_{DSS}	—	—	-1	μA	$V_{DS} = -20\text{V}$, $V_{GS} = 0$
Gate to source cutoff voltage	$V_{GS(off)}$	-0.5	—	-1.5	V	$V_{DS} = -10\text{V}$, $I_D = -1\text{mA}$
Static drain to source on state resistance	$R_{DS(on)}$	—	0.10	0.14	Ω	$I_D = -2\text{A}$, $V_{GS} = -4\text{V}$ ^{Note4}
	$R_{DS(on)}$	—	0.16	0.23	Ω	$I_D = -2\text{A}$, $V_{GS} = -2.5\text{V}$ ^{Note4}
Forward transfer admittance	$ y_{fs} $	3	4.5	—	S	$I_D = -2\text{A}$, $V_{DS} = -10\text{V}$ ^{Note4}
Input capacitance	C_{iss}	—	465	—	pF	$V_{DS} = -10\text{V}$
Output capacitance	C_{oss}	—	270	—	pF	$V_{GS} = 0$
Reverse transfer capacitance	C_{rss}	—	100	—	pF	$f = 1\text{MHz}$
Turn-on delay time	$t_{d(on)}$	—	14	—	ns	$V_{GS} = -4\text{V}$, $I_D = -2\text{A}$
Rise time	t_r	—	80	—	ns	$V_{DD} \cong -10\text{V}$
Turn-off delay time	$t_{d(off)}$	—	70	—	ns	
Fall time	t_f	—	80	—	ns	
Body-drain diode forward voltage	V_{DF}	—	-0.95	-1.24	V	$I_F = -3.5\text{A}$, $V_{GS} = 0$ ^{Note4}
Body-drain diode reverse recovery time	t_{rr}	—	55	—	ns	$I_F = -3.5\text{A}$, $V_{GS} = 0$ $di_F/dt = 20\text{A}/\mu\text{s}$

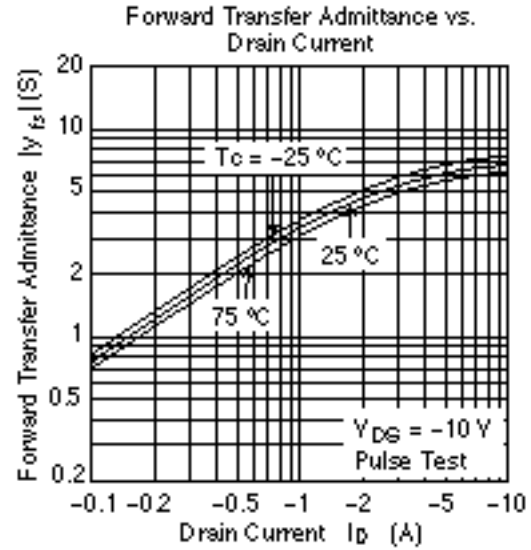
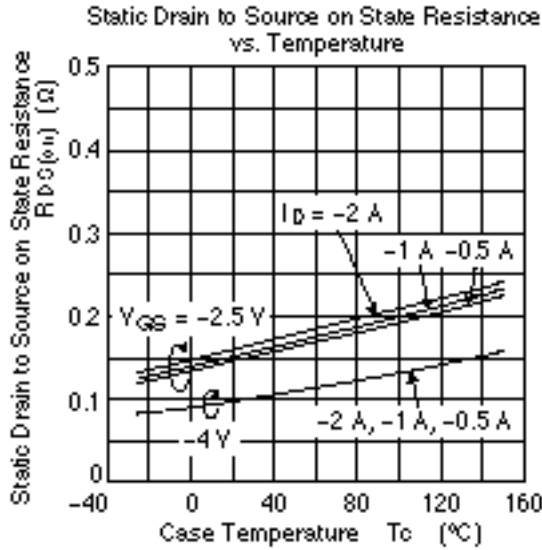
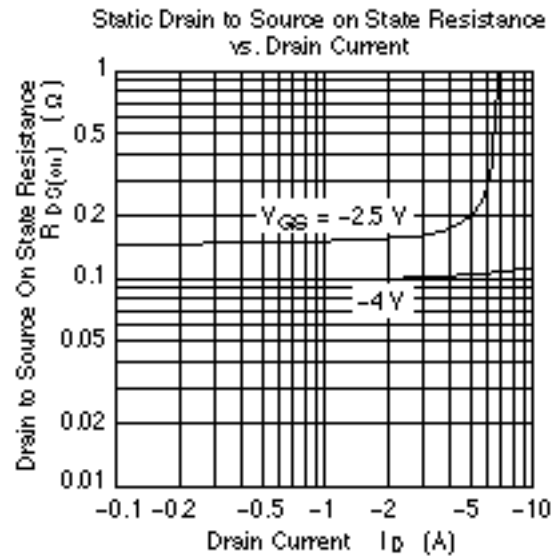
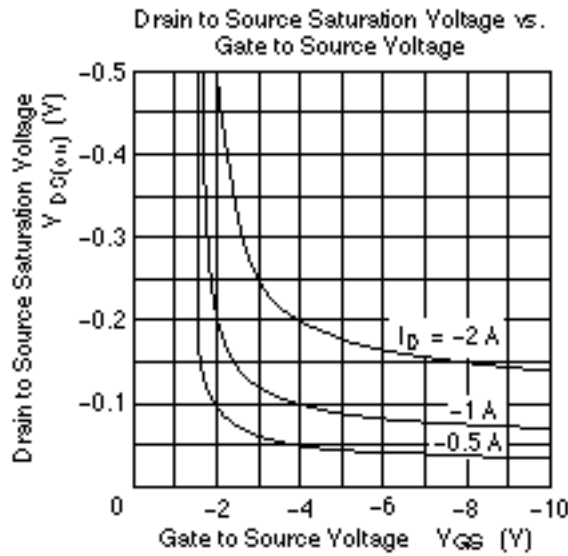
Note: 4. Pulse test

HAT1029R

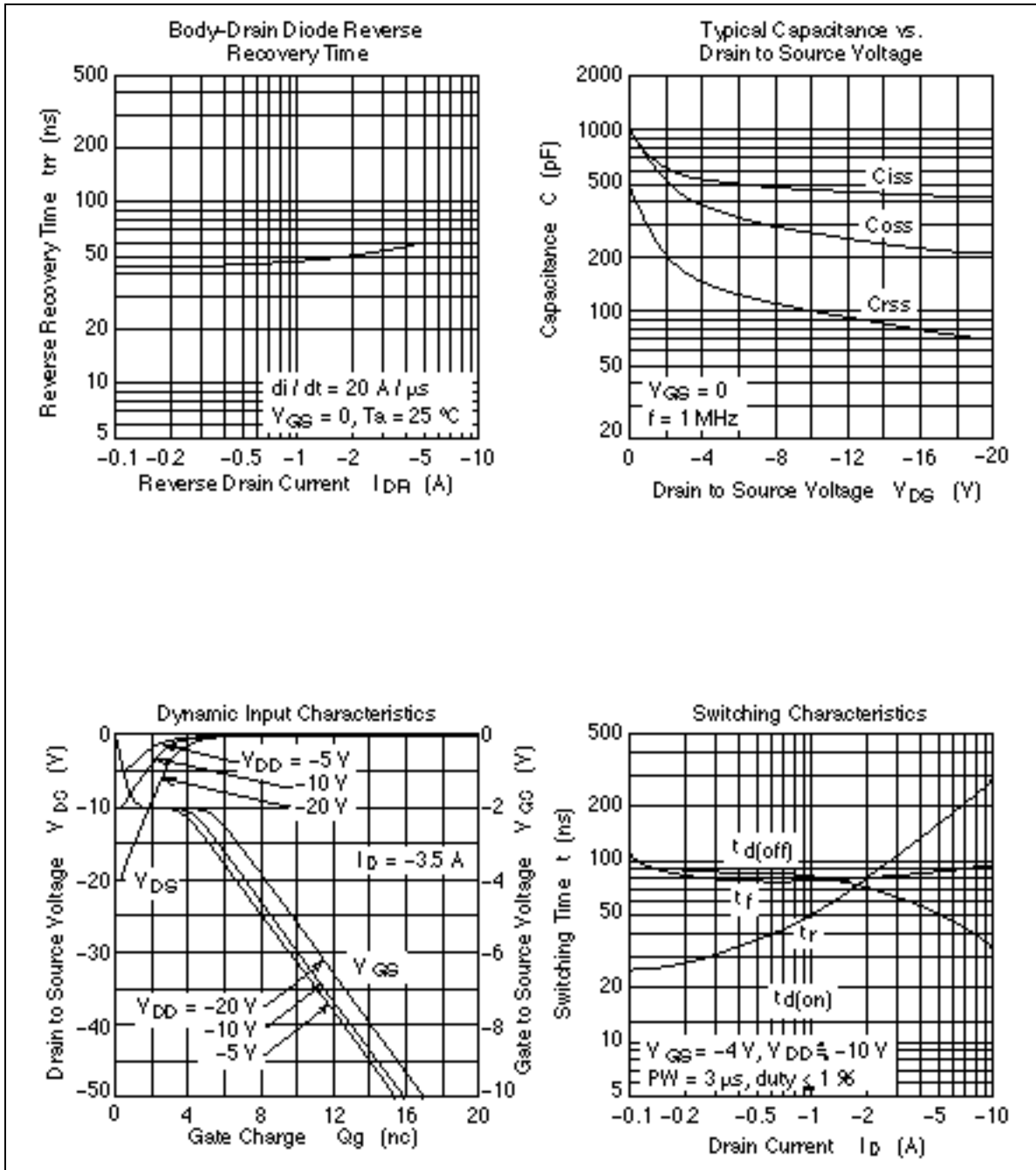
Main Characteristics



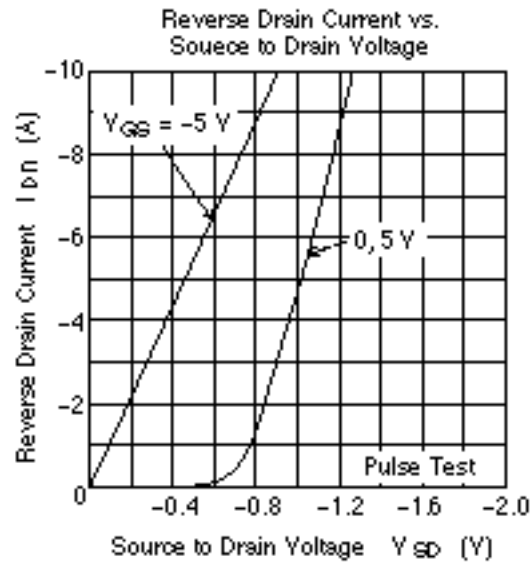
HITACHI



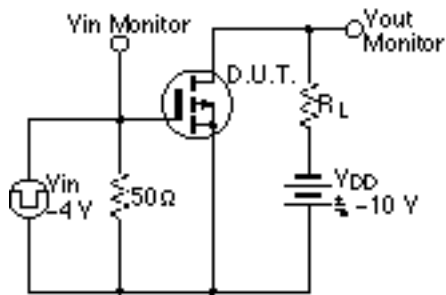
HAT1029R



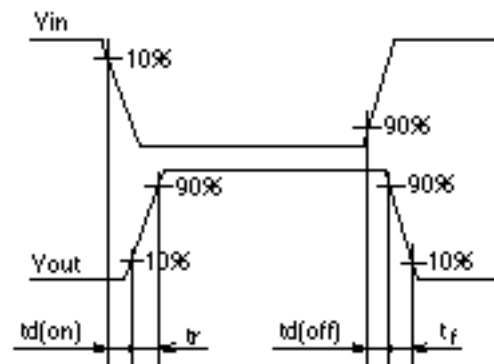
HITACHI



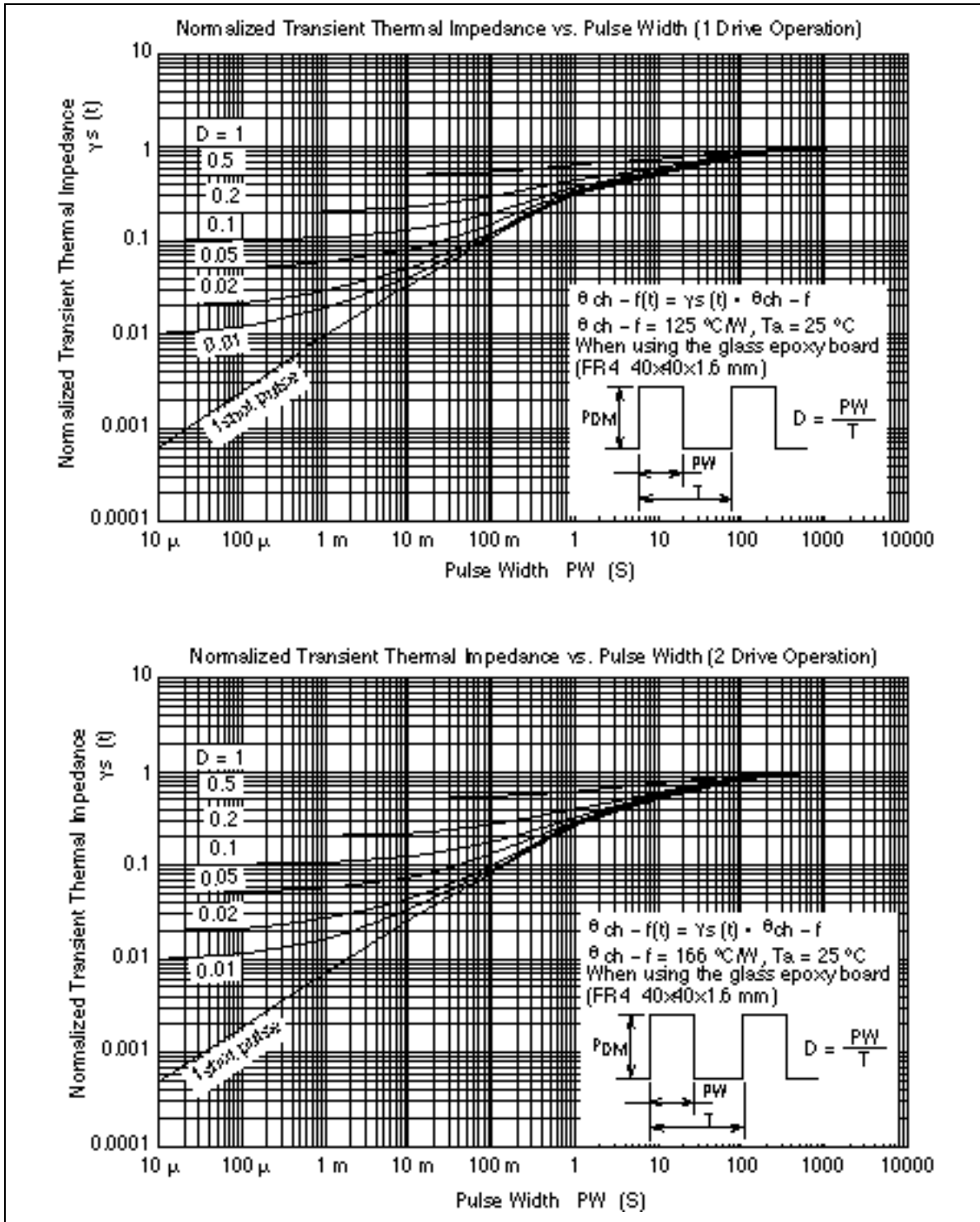
Switching Time Test Circuit



Switching Time Waveform



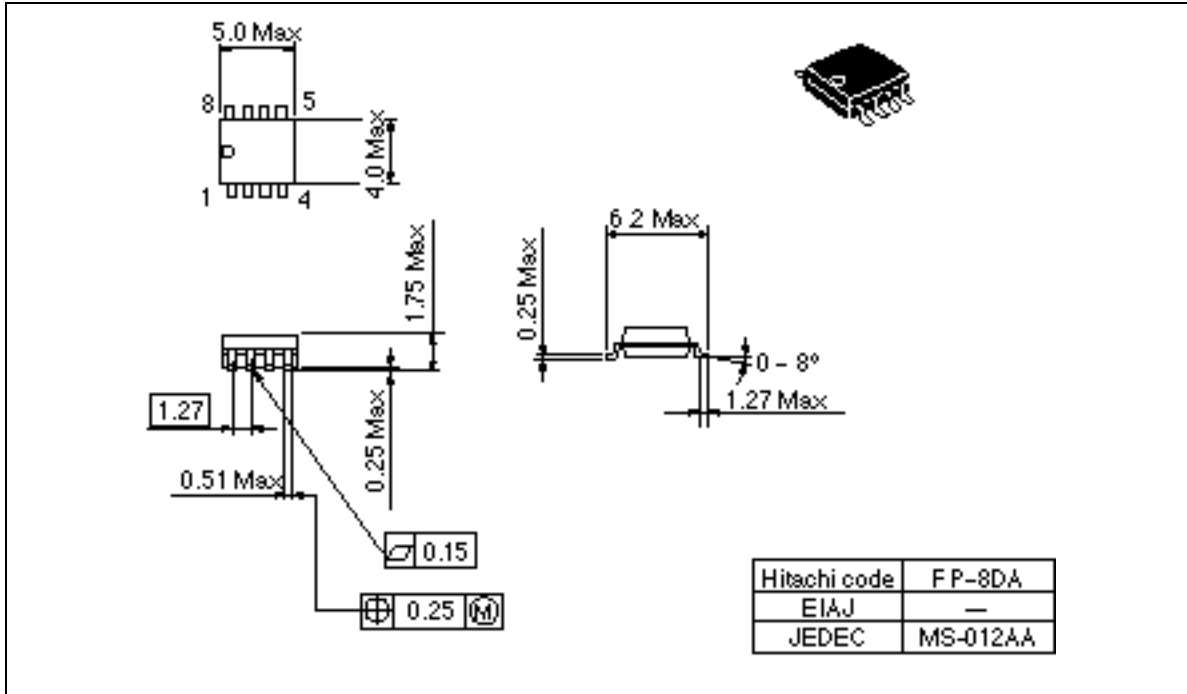
HAT1029R



HAT1029R

Package Dimensions

Unit: mm



HAT1029R

Cautions

1. Hitachi neither warrants nor grants licenses of any rights of Hitachi's or any third party's patent, copyright, trademark, or other intellectual property rights for information contained in this document. Hitachi bears no responsibility for problems that may arise with third party's rights, including intellectual property rights, in connection with use of the information contained in this document.
2. Products and product specifications may be subject to change without notice. Confirm that you have received the latest product standards or specifications before final design, purchase or use.
3. Hitachi makes every attempt to ensure that its products are of high quality and reliability. However, contact Hitachi's sales office before using the product in an application that demands especially high quality and reliability or where its failure or malfunction may directly threaten human life or cause risk of bodily injury, such as aerospace, aeronautics, nuclear power, combustion control, transportation, traffic, safety equipment or medical equipment for life support.
4. Design your application so that the product is used within the ranges guaranteed by Hitachi particularly for maximum rating, operating supply voltage range, heat radiation characteristics, installation conditions and other characteristics. Hitachi bears no responsibility for failure or damage when used beyond the guaranteed ranges. Even within the guaranteed ranges, consider normally foreseeable failure rates or failure modes in semiconductor devices and employ systemic measures such as fail-safes, so that the equipment incorporating Hitachi product does not cause bodily injury, fire or other consequential damage due to operation of the Hitachi product.
5. This product is not designed to be radiation resistant.
6. No one is permitted to reproduce or duplicate, in any form, the whole or part of this document without written approval from Hitachi.
7. Contact Hitachi's sales office for any questions regarding this document or Hitachi semiconductor products.

HITACHI

Hitachi, Ltd.

Semiconductor & IC Div.

Nippon Bldg., 2-6-2, Ohite-machi, Chiyoda-ku, Tokyo 100-0004, Japan
Tel: Tokyo (03) 3270-2111 Fax: (03) 3270-5109

URL North America : <http://semiconductor.hitachi.com/>
 Europe : <http://www.hitachi-eu.com/hel/eog>
 Asia (Singapore) : <http://www.has.hitachi.com.sg/grp3/sic/index.htm>
 Asia (Taiwan) : http://www.hitachi.com.tw/E/Product/SIC/D_Frame.htm
 Asia (HongKong) : <http://www.hitachi.com.hk/eng/fo/grp3/index.htm>
 Japan : <http://www.hitachi.co.jp/Sic/index.htm>

For further information write to:

Hitachi Semiconductor
(America) Inc.
3000 Sierra Point Parkway
Burlington, Ct. 04005-1807
Tel: +1 (203) 285-1801
Fax: +1 (203) 297-0447

Hitachi Europe GmbH
Electronic Component Group
Donnerbergstr. 3
D-85622 Feldkirchen, Munich
Germany
Tel: +49 (89) 9 2180-0
Fax: +49 (89) 9 29 30 00

Hitachi Europe Ltd.
Electronic Component Group
Whitebrook Park
Lower Cookham Road
Maidenhead
Berkshire SL6 3YL, United Kingdom
Tel: +44 (1628) 535000
Fax: +44 (1628) 779322

Hitachi Asia Pte. Ltd.
15 Collyer Quay #20-00
Hitachi Tower
Singapore 040018
Tel: 5352 100
Fax: 535-1533

Hitachi Asia Ltd.
Taipei Branch Office
3F, Hung Kuo Building, No. 167,
Tun-Hua North Road, Taipei (105)
Tel: +886 (2) 2713-3585
Fax: +886 (2) 27 13-3180

Hitachi Asia (Hong Kong) Ltd.
Group III (Electronic Components)
7/F., North Tower, World Finance Centre,
Harbour City, Canton Road, Tsim Sha Tsui,
Kowloon, Hong Kong
Tel: +852 (2) 735 3818
Fax: +852 (2) 750 0881
Telex: 40815 HITECHX

Copyright © Hitachi, Ltd., 1998. All rights reserved. Printed in Japan.

HITACHI