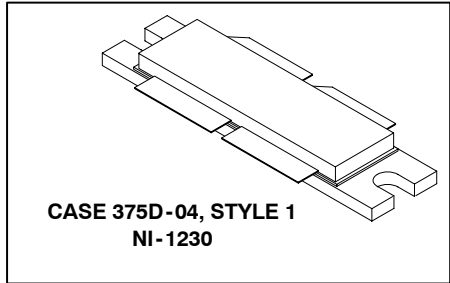


**The RF Sub-Micron MOSFET Line**  
**RF Power Field Effect Transistor**  
**N-Channel Enhancement-Mode Lateral MOSFET**

**MRF21180R6**

**2170 MHz, 170 W, 28 V  
 LATERAL N-CHANNEL  
 RF POWER MOSFET**



Designed for W-CDMA base station applications with frequencies from 2110 to 2170 MHz. Suitable for TDMA, CDMA and multicarrier amplifier applications. To be used in Class AB for PCN-PCS/cellular radio and WLL applications.

- Typical 2-carrier W-CDMA Performance for  $V_{DD} = 28$  Volts,  $I_{DQ} = 2 \times 850$  mA,  $f_1 = 2135$  MHz,  $f_2 = 2145$  MHz, Channel Bandwidth = 3.84 MHz, Adjacent Channels Measured over 3.84 MHz BW @  $f_1 - 5$  MHz and  $f_2 + 5$  MHz. Distortion Products Measured over a 3.84 MHz BW @  $f_1 - 10$  MHz and  $f_2 + 10$  MHz, Each Carrier Peak/Avg. = 8.3 dB @ 0.01% Probability on CCDF.  
 Output Power — 38 Watts (Avg.)  
 Power Gain — 12.1 dB  
 Efficiency — 22%  
 IM3 — 37.5 dBc  
 ACPR — -41 dBc
- Internally Input and Output Matched, for Ease of Use
- High Gain, High Efficiency, and High Linearity
- Integrated ESD Protection
- Designed for Maximum Gain and Insertion Phase Flatness
- Capable of Handling 5:1 VSWR, @ 28 Vdc, 2110 MHz, 170 Watts (CW) Output Power
- Excellent Thermal Stability
- Characterized with Series Equivalent Large-Signal Impedance Parameters
- In Tape and Reel. R6 Suffix = 150 Units per 56 mm, 13 inch Reel.

**MAXIMUM RATINGS**

Rating	Symbol	Value	Unit
Drain-Source Voltage	$V_{DSS}$	65	Vdc
Gate-Source Voltage	$V_{GS}$	-0.5, +15	Vdc
Total Device Dissipation @ $T_C = 25^\circ\text{C}$ Derate above $25^\circ\text{C}$	$P_D$	380 2.17	Watts $\text{W}/^\circ\text{C}$
Storage Temperature Range	$T_{stg}$	- 65 to +150	$^\circ\text{C}$
Operating Junction Temperature	$T_J$	200	$^\circ\text{C}$

**THERMAL CHARACTERISTICS**

Characteristic	Symbol	Value (1)	Unit
Thermal Resistance, Junction to Case	$R_{\theta JC}$	0.46	$^\circ\text{C}/\text{W}$

**ESD PROTECTION CHARACTERISTICS**

Test Conditions	Class
Human Body Model	1 (Minimum)
Machine Model	M3 (Minimum)

(1) Refer to AN1955/D, *Thermal Measurement Methodology of RF Power Amplifiers*. Go to <http://www.motorola.com/semiconductors/ef>. Select Documentation/Application Notes - AN1955.

**NOTE - CAUTION** - MOS devices are susceptible to damage from electrostatic charge. Reasonable precautions in handling and packaging MOS devices should be observed.

# Freescale Semiconductor, Inc.

## ELECTRICAL CHARACTERISTICS (T<sub>C</sub> = 25°C unless otherwise noted)

Characteristic	Symbol	Min	Typ	Max	Unit
<b>OFF CHARACTERISTICS (1)</b>					
Drain-Source Breakdown Voltage (V <sub>GS</sub> = 0 Vdc, I <sub>D</sub> = 100 μAdc)	V <sub>(BR)DSS</sub>	65	—	—	Vdc
Zero Gate Voltage Drain Leakage Current (V <sub>DS</sub> = 28 Vdc, V <sub>GS</sub> = 0 Vdc)	I <sub>DSS</sub>	—	—	10	μAdc
Gate-Source Leakage Current (V <sub>GS</sub> = 5 Vdc, V <sub>DS</sub> = 0 Vdc)	I <sub>GSS</sub>	—	—	1	μAdc
<b>ON CHARACTERISTICS (1)</b>					
Gate Threshold Voltage (V <sub>DS</sub> = 10 Vdc, I <sub>D</sub> = 200 μAdc)	V <sub>GS(th)</sub>	2	—	4	Vdc
Gate Quiescent Voltage (V <sub>DS</sub> = 28 Vdc, I <sub>D</sub> = 850 mAdc)	V <sub>GS(Q)</sub>	3	3.9	5	Vdc
Drain-Source On-Voltage (V <sub>GS</sub> = 10 Vdc, I <sub>D</sub> = 2 Adc)	V <sub>DS(on)</sub>	—	0.18	0.22	Vdc
Forward Transconductance (V <sub>DS</sub> = 10 Vdc, I <sub>D</sub> = 2 Adc)	g <sub>fs</sub>	—	6	—	S
<b>DYNAMIC CHARACTERISTICS (1)</b>					
Reverse Transfer Capacitance (V <sub>DS</sub> = 28 Vdc, V <sub>GS</sub> = 0, f = 1 MHz)	C <sub>rss</sub>	—	3.6	—	pF
<b>FUNCTIONAL TESTS (In Motorola Test Fixture, 50 ohm system) (2)</b> 2-Carrier W-CDMA, 3.84 MHz Channel Bandwidth Carriers. Each carrier has Peak/Avg. ratio = 8.3 dB @ 0.01% Probability on CCDF.					
Common-Source Amplifier Power Gain (V <sub>DD</sub> = 28 Vdc, P <sub>out</sub> = 38 W Avg., I <sub>DQ</sub> = 2 x 850 mA, f <sub>1</sub> = 2112.5 MHz, f <sub>2</sub> = 2122.5 MHz and f <sub>1</sub> = 2157.5 MHz, f <sub>2</sub> = 2167.5 MHz)	G <sub>ps</sub>	11	12.1	—	dB
Drain Efficiency (V <sub>DD</sub> = 28 Vdc, P <sub>out</sub> = 38 W Avg., I <sub>DQ</sub> = 2 x 850 mA, f <sub>1</sub> = 2112.5 MHz, f <sub>2</sub> = 2122.5 MHz and f <sub>1</sub> = 2157.5 MHz, f <sub>2</sub> = 2167.5 MHz)	η	19	22	—	%
Third Order Intermodulation Distortion (V <sub>DD</sub> = 28 Vdc, P <sub>out</sub> = 38 W Avg., I <sub>DQ</sub> = 2 x 850 mA, f <sub>1</sub> = 2112.5 MHz, f <sub>2</sub> = 2122.5 MHz and f <sub>1</sub> = 2157.5 MHz, f <sub>2</sub> = 2167.5 MHz; IM3 measured over 3.84 MHz BW @ f <sub>1</sub> -10 MHz and f <sub>2</sub> +10 MHz)	IM3	—	-37.5	-35	dBc
Adjacent Channel Power Ratio (V <sub>DD</sub> = 28 Vdc, P <sub>out</sub> = 38 W Avg., I <sub>DQ</sub> = 2 x 850 mA, f <sub>1</sub> = 2112.5 MHz, f <sub>2</sub> = 2122.5 MHz and f <sub>1</sub> = 2157.5 MHz, f <sub>2</sub> = 2167.5 MHz; ACPR measured over 3.84 MHz BW @ f <sub>1</sub> - 5 MHz and f <sub>2</sub> +5 MHz.)	ACPR	—	-41	-39	dBc
Input Return Loss (V <sub>DD</sub> = 28 Vdc, P <sub>out</sub> = 38 W Avg., I <sub>DQ</sub> = 2 x 850 mA, f <sub>1</sub> = 2112.5 MHz, f <sub>2</sub> = 2122.5 MHz and f <sub>1</sub> = 2157.5 MHz, f <sub>2</sub> = 2167.5 MHz)	IRL	—	-12	-9	dB
Output Mismatch Stress (V <sub>DD</sub> = 28 Vdc, P <sub>out</sub> = 170 W CW, I <sub>DQ</sub> = 2 x 850 mA, f = 2170 MHz VSWR = 5:1, All Phase Angles at Frequency of Tests)	Ψ	No Degradation In Output Power Before and After Test			

(1) Each side of device measured separately. Part is internally matched both on input and output.

(2) Measurements made with device in push-pull configuration.

(continued)

# Freescale Semiconductor, Inc.

## ELECTRICAL CHARACTERISTICS — continued ( $T_C = 25^\circ\text{C}$ unless otherwise noted)

Characteristic	Symbol	Min	Typ	Max	Unit
<b>FUNCTIONAL TESTS</b> (In Motorola Test Fixture, 50 ohm system) (2) (continued)					
Two-Tone Common-Source Amplifier Power Gain ( $V_{DD} = 28\text{ Vdc}$ , $P_{out} = 170\text{ W}$ , $I_{DQ} = 2 \times 850\text{ mA}$ , $f_1 = 2110\text{ MHz}$ , $f_2 = 2120\text{ MHz}$ and $f_1 = 2160\text{ MHz}$ , $f_2 = 2170\text{ MHz}$ )	$G_{ps}$	—	12	—	dB
Two-Tone Drain Efficiency ( $V_{DD} = 28\text{ Vdc}$ , $P_{out} = 170\text{ W}$ , $I_{DQ} = 2 \times 850\text{ mA}$ , $f_1 = 2110\text{ MHz}$ , $f_2 = 2120\text{ MHz}$ and $f_1 = 2160\text{ MHz}$ , $f_2 = 2170\text{ MHz}$ )	$\eta$	—	33	—	%
Two-Tone Intermodulation Distortion ( $V_{DD} = 28\text{ Vdc}$ , $P_{out} = 170\text{ W}$ , $I_{DQ} = 2 \times 850\text{ mA}$ , $f_1 = 2110\text{ MHz}$ , $f_2 = 2120\text{ MHz}$ and $f_1 = 2160\text{ MHz}$ , $f_2 = 2170\text{ MHz}$ )	IMD	—	-30	—	dBc
Two-Tone Input Return Loss ( $V_{DD} = 28\text{ Vdc}$ , $P_{out} = 170\text{ W}$ , $I_{DQ} = 2 \times 850\text{ mA}$ , $f_1 = 2110\text{ MHz}$ , $f_2 = 2120\text{ MHz}$ and $f_1 = 2160\text{ MHz}$ , $f_2 = 2170\text{ MHz}$ )	IRL	—	-12	—	dB
$P_{out}$ : 1 dB Compression Point ( $V_{DD} = 28\text{ Vdc}$ , $I_{DQ} = 2 \times 850\text{ mA}$ , $f = 2170\text{ MHz}$ )	P1dB	—	180	—	W

(2) Measurements made with device in push-pull configuration.

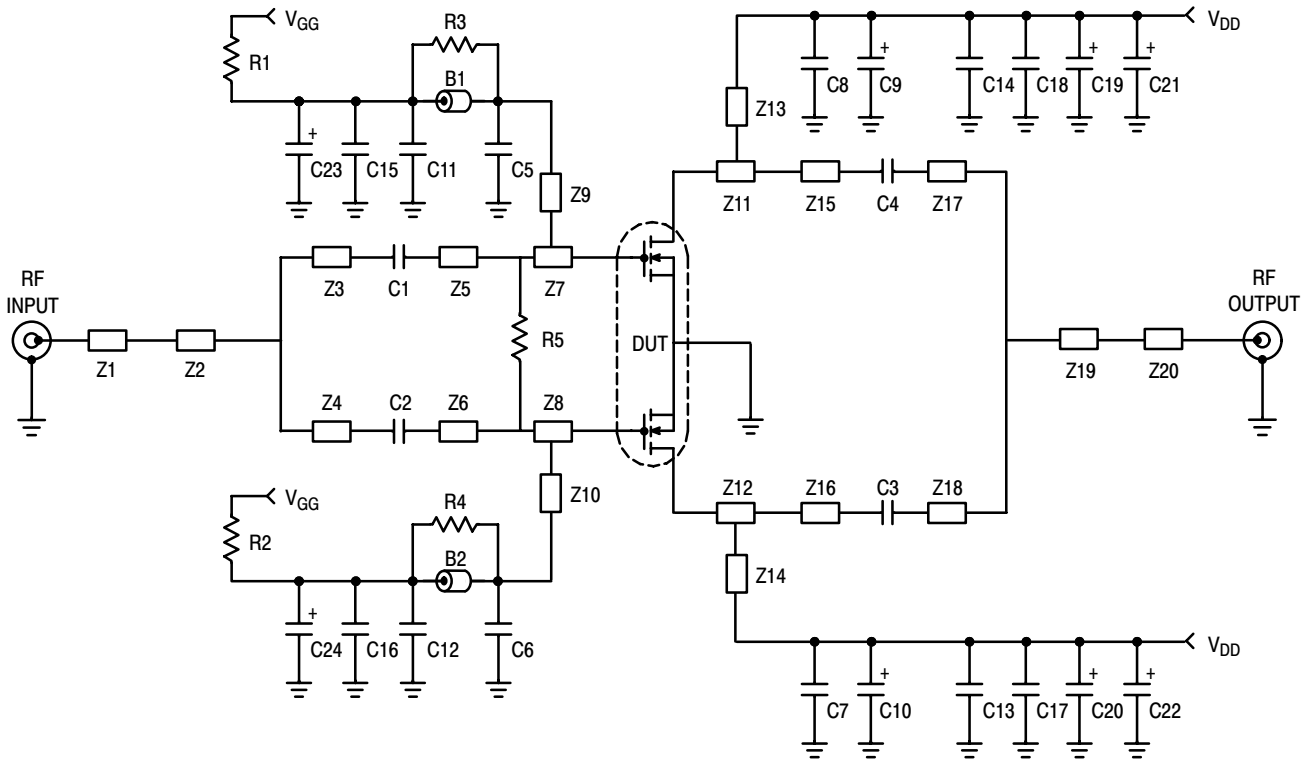
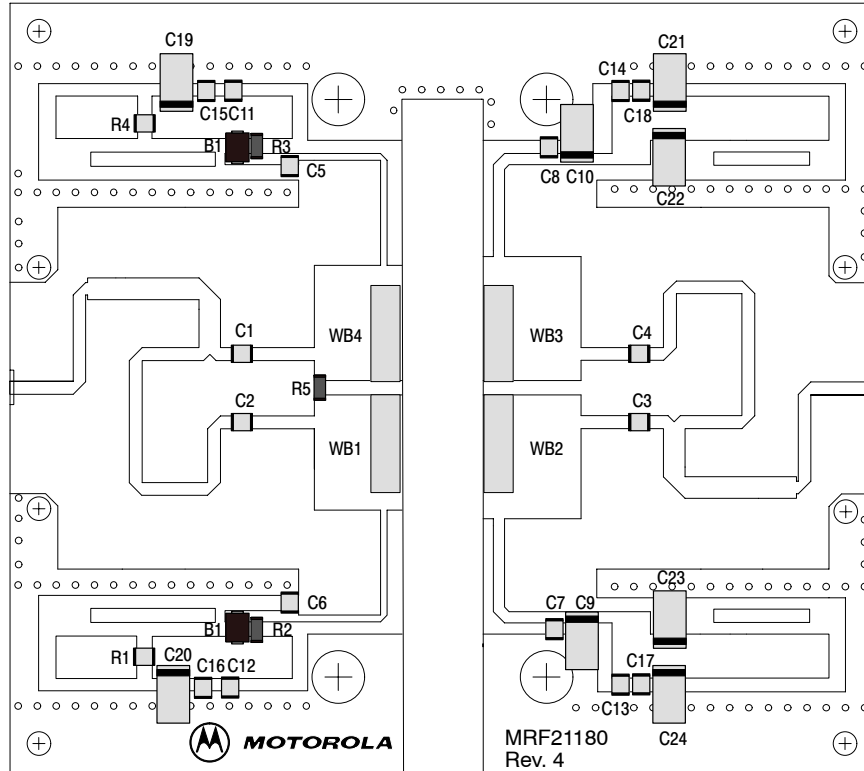


Figure 1. MRF21180 Test Circuit Schematic

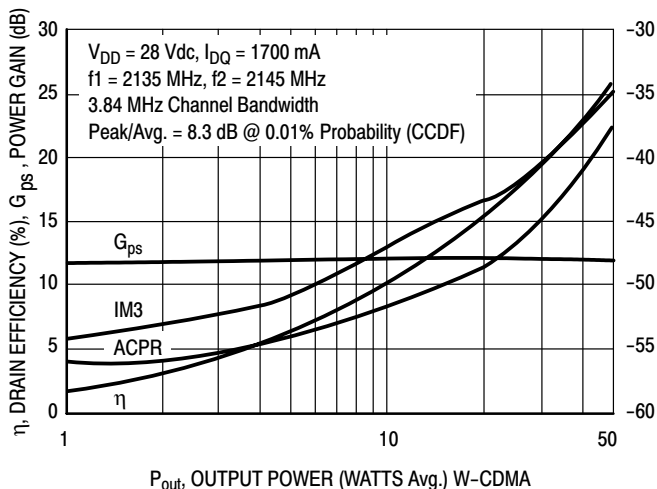
Table 1. MRF21180 Test Circuit Component Designations and Values

Part	Description	Value, P/N or DWG	Manufacturer
B1, B2	Short Ferrite Beads	2743019447	Fair Rite
C1, C2, C3, C4	30 pF Chip Capacitors	100B300JCA500X	ATC
C5, C6, C7, C8	5.6 pF Chip Capacitors	100B5R6JCA500X	ATC
C9, C10	10 μF Tantalum Capacitors	T495X106K035AS4394	Kemet
C11, C12, C13, C14	1000 pF Chip Capacitors	100B102JCA500X	ATC
C15, C16, C17, C18	0.1 μF Chip Capacitors	CDR33BX104AKWS	Kemet
C19, C20	1.0 μF Tantalum Capacitors	T491C105M050	Kemet
C21, C22, C23, C24	22 μF Tantalum Capacitors	T491X226K035AS4394	Kemet
N1, N2	Type N Flange Mounts	3052-1648-10	Omni Spectra
R1, R2, R3, R4	10 Ω, 1/8 W Chip Resistors		
R5	1.0 kΩ, 1/8 W Chip Resistor		
Z1, Z20	Microstrip	0.790" x 0.065"	
Z2, Z19	Microstrip	0.830" x 0.112"	
Z3, Z18	Microstrip	0.145" x 0.065"	
Z4, Z17	Microstrip	1.700" x 0.065"	
Z5, Z6	Microstrip	0.340" x 0.065"	
Z7, Z8	Microstrip	0.455" x 0.600"	
Z9, Z10	Microstrip	0.980" x 0.035"	
Z11, Z12	Microstrip	0.510" x 0.645"	
Z13, Z14	Microstrip	0.770" x 0.058"	
Z15, Z16	Microstrip	0.280" x 0.065"	
WB1, WB2, WB3, WB4	Wear Blocks		
Board	0.030" Glass Teflon®	RF-35, ε <sub>r</sub> = 3.50	Taconic
PCB	Etched Circuit Boards	MRF21180 Rev. 4	CMR

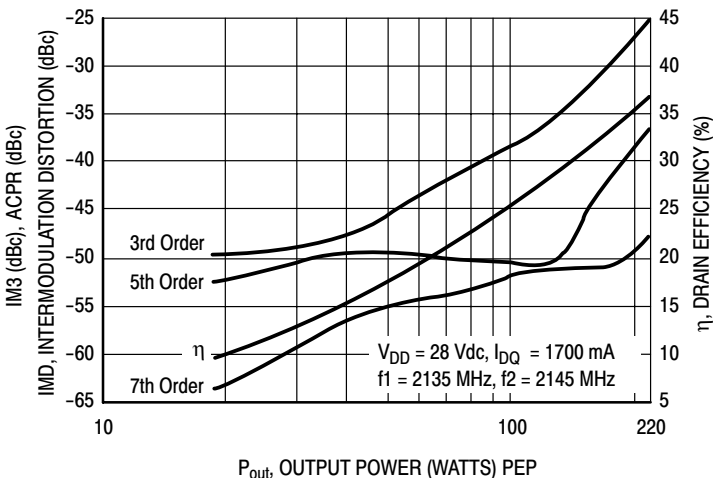


**Figure 2. MRF21180 Test Circuit Component Layout**

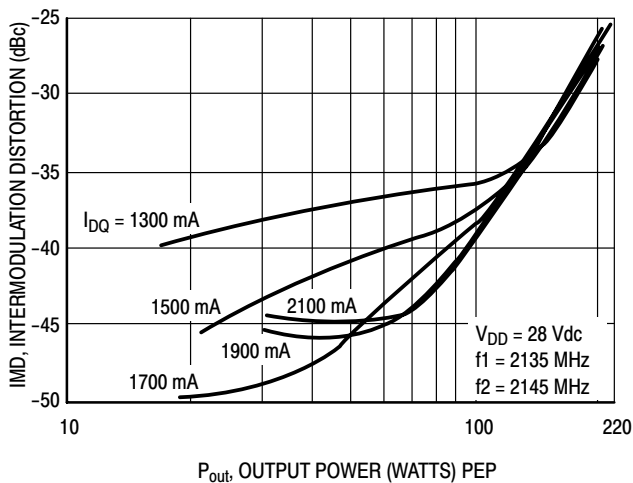
## TYPICAL CHARACTERISTICS



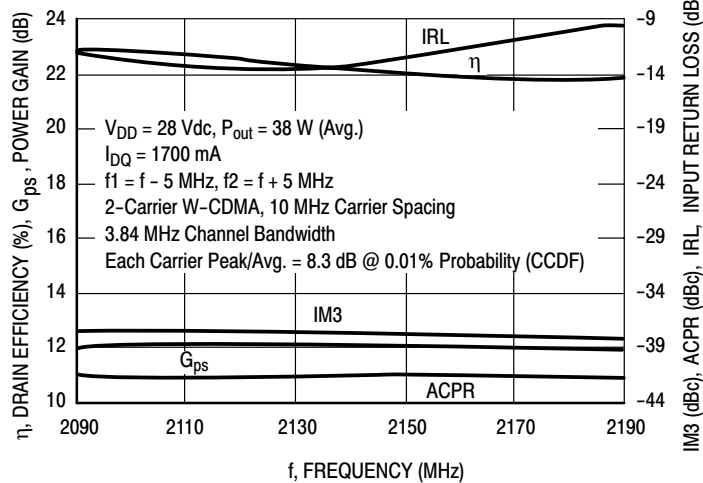
**Figure 3. 2-Carrier W-CDMA ACPR, IM3, Power Gain and Drain Efficiency versus Output Power**



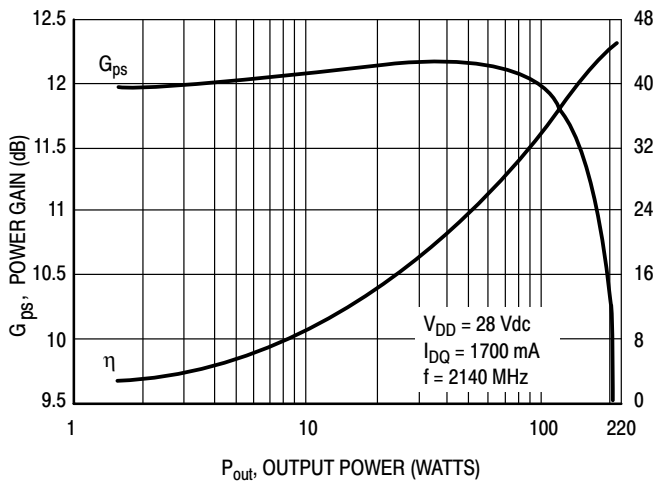
**Figure 4. Intermodulation Distortion Products versus Output Power**



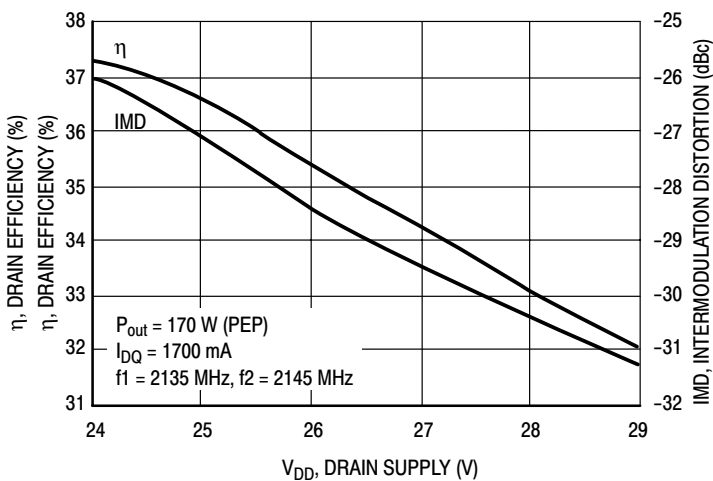
**Figure 5. Intermodulation Distortion versus Output Power**



**Figure 6. 2-Carrier W-CDMA Broadband Performance**



**Figure 7. CW Performance**



**Figure 8. Two-Tone Intermodulation Distortion and Drain Efficiency versus Drain Supply**

Freescale Semiconductor, Inc.

# Freescale Semiconductor, Inc.

## TYPICAL CHARACTERISTICS

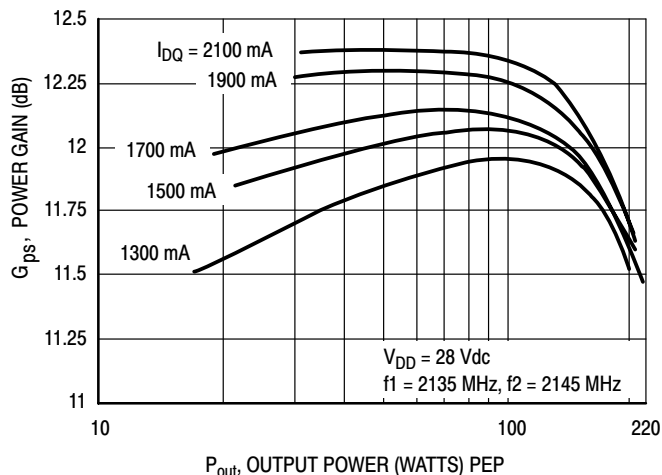


Figure 9. Two-Tone Power Gain versus Output Power

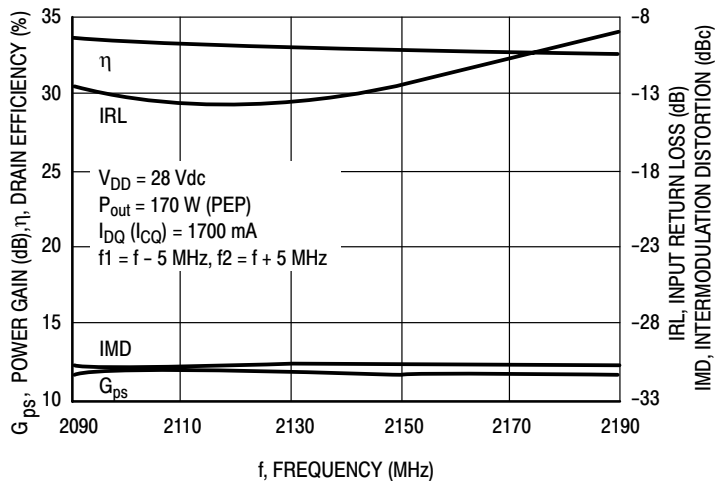


Figure 10. Two-Tone Broadband Performance

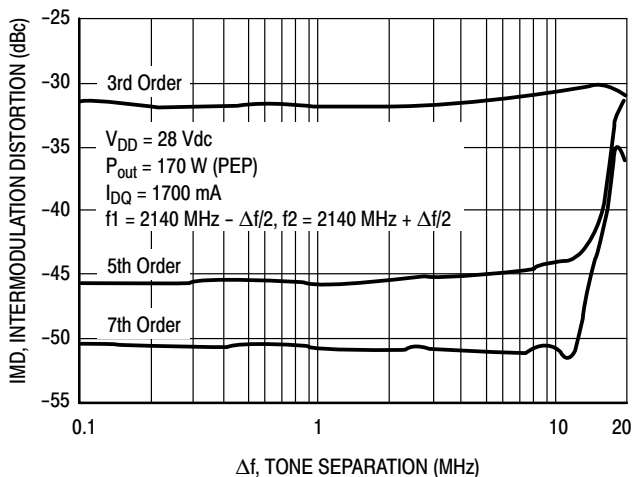


Figure 11. Intermodulation Distortion Products versus Two-Tone Spacing

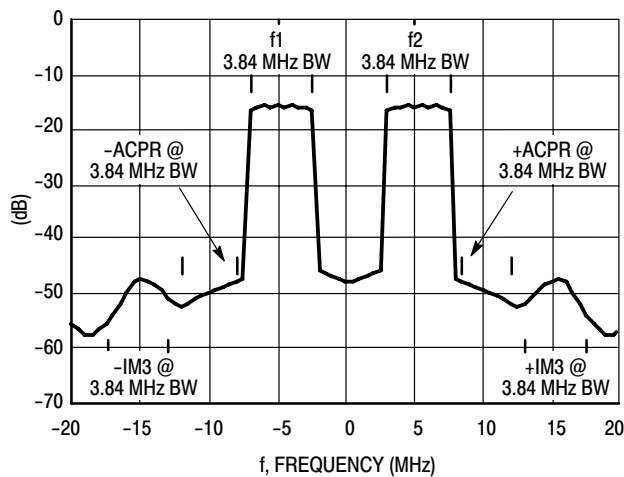
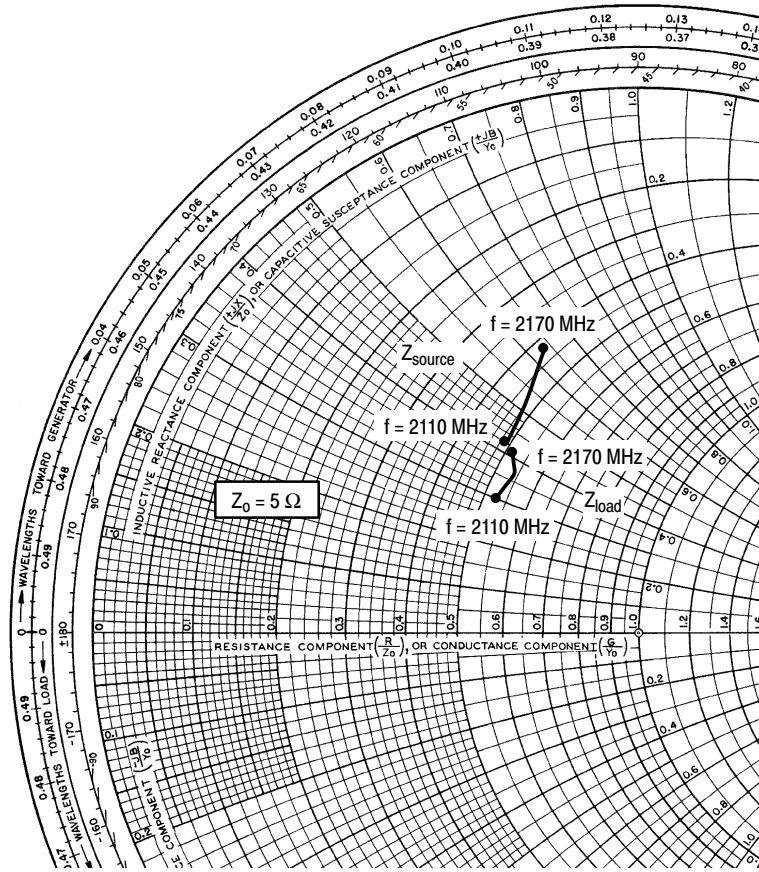


Figure 12. 2-Carrier W-CDMA Spectrum



$V_{DD} = 28 \text{ Vdc}$ ,  $I_{DQ} = 2 \times 850 \text{ mA}$ ,  $P_{out} = 38 \text{ W Avg.}$

f MHz	$Z_{source}$ $\Omega$	$Z_{load}$ $\Omega$
2110	$2.45 + j2.08$	$2.65 + j1.52$
2140	$2.39 + j2.51$	$2.71 + j1.80$
2170	$2.16 + j3.14$	$2.64 + j2.04$

$Z_{source}$  = Test circuit impedance as measured from gate to gate, balanced configuration.

$Z_{load}$  = Test circuit impedance as measured from drain to drain, balanced configuration.

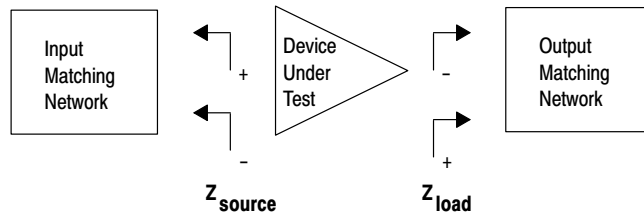


Figure 13. Series Equivalent Input and Output Impedance



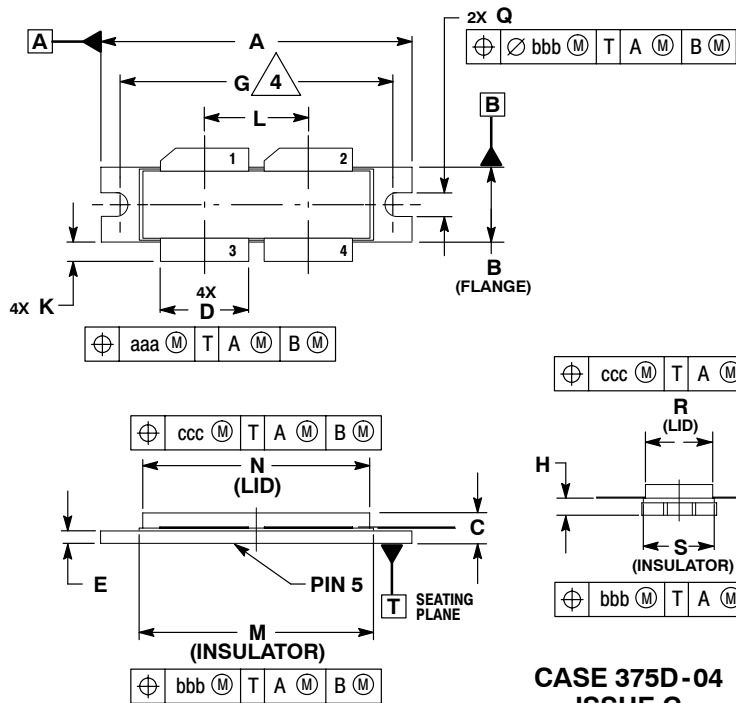
**NOTES**

**NOTES**

**NOTES**

# Freescale Semiconductor, Inc.

## PACKAGE DIMENSIONS



### NOTES:

1. INTERPRET DIMENSIONS AND TOLERANCES PER ASME Y14.5M-1994.
2. CONTROLLING DIMENSION: INCH.
3. DIMENSION H IS MEASURED 0.030 (0.762) AWAY FROM PACKAGE BODY.
4. RECOMMENDED BOLT CENTER DIMENSION OF 1.52 (38.61) BASED ON M3 SCREW.

DIM	INCHES		MILLIMETERS	
	MIN	MAX	MIN	MAX
A	1.615	1.625	41.02	41.28
B	0.395	0.405	10.03	10.29
C	0.150	0.200	3.81	5.08
D	0.455	0.465	11.56	11.81
E	0.062	0.066	1.57	1.68
F	0.004	0.007	0.10	0.18
G	1.400 BSC		35.56 BSC	
H	0.079	0.089	2.01	2.26
K	0.117	0.137	2.97	3.48
L	0.540 BSC		13.72 BSC	
M	1.219	1.241	30.96	31.52
N	1.218	1.242	30.94	31.55
Q	0.120	0.130	3.05	3.30
R	0.355	0.365	9.01	9.27
S	0.365	0.375	9.27	9.53
aaa	0.013 REF		0.33 REF	
bbb	0.010 REF		0.25 REF	
ccc	0.020 REF		0.51 REF	

### STYLE 1:

- PIN 1. DRAIN
- DRAIN
- GATE
- GATE
- SOURCE

**CASE 375D-04  
ISSUE C  
NI-1230**

Information in this document is provided solely to enable system and software implementers to use Motorola products. There are no express or implied copyright licenses granted hereunder to design or fabricate any integrated circuits or integrated circuits based on the information in this document.

Motorola reserves the right to make changes without further notice to any products herein. Motorola makes no warranty, representation or guarantee regarding the suitability of its products for any particular purpose, nor does Motorola assume any liability arising out of the application or use of any product or circuit, and specifically disclaims any and all liability, including without limitation consequential or incidental damages. "Typical" parameters that may be provided in Motorola data sheets and/or specifications can and do vary in different applications and actual performance may vary over time. All operating parameters, including "Typicals", must be validated for each customer application by customer's technical experts. Motorola does not convey any license under its patent rights nor the rights of others. Motorola products are not designed, intended, or authorized for use as components in systems intended for surgical implant into the body, or other applications intended to support or sustain life, or for any other application in which the failure of the Motorola product could create a situation where personal injury or death may occur. Should Buyer purchase or use Motorola products for any such unintended or unauthorized application, Buyer shall indemnify and hold Motorola and its officers, employees, subsidiaries, affiliates, and distributors harmless against all claims, costs, damages, and expenses, and reasonable attorney fees arising out of, directly or indirectly, any claim of personal injury or death associated with such unintended or unauthorized use, even if such claim alleges that Motorola was negligent regarding the design or manufacture of the part.

MOTOROLA and the Stylized M Logo are registered in the US Patent and Trademark Office. All other product or service names are the property of their respective owners. Motorola, Inc. is an Equal Opportunity/Affirmative Action Employer.

© Motorola Inc. 2004

### HOW TO REACH US:

**USA/EUROPE/LOCATIONS NOT LISTED:**  
Motorola Literature Distribution  
P.O. Box 5405, Denver, Colorado 80217  
1-800-521-6274 or 480-768-2130

**JAPAN:** Motorola Japan Ltd.; SPS, Technical Information Center,  
3-20-1, Minami-Azabu, Minato-ku, Tokyo 106-8573, Japan  
81-3-3440-3569

**ASIA/PACIFIC:** Motorola Semiconductors H.K. Ltd.; Silicon Harbour Centre,  
2 Dai King Street, Tai Po Industrial Estate, Tai Po, N.T., Hong Kong  
852-26668334

**HOME PAGE:** <http://motorola.com/semiconductors>



For More Information On This Product,  
Go to: [www.freescale.com](http://www.freescale.com)

MRF21180/D