

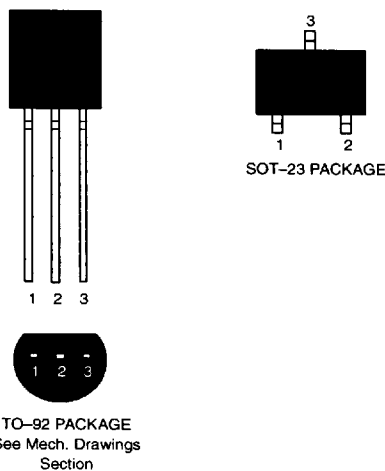
DALLAS SEMICONDUCTOR

DS1818 3.3V EconoReset with Pushbutton

FEATURES

- Automatically restarts a microprocessor after power failure
- Monitors pushbutton for external override
- Maintains reset for 150 ms after V_{CC} returns to an in-tolerance condition
- Reduces need for discrete components
- Precision temperature-compensated voltage reference and voltage sensor
- Accurate 10% or 20% power monitoring
- Low-cost TO-92 or space saving surface mount SOT-23 packages available
- Efficient open-drain output with internal 5.5K Ω pull-up resistor
- Operating temperature -40°C to $+85^{\circ}\text{C}$

PIN ASSIGNMENT



PIN DESCRIPTIONS

TO-92

| | | |
|---|-------------------------|-------------------------|
| 1 | $\overline{\text{RST}}$ | Active Low Reset Output |
| 2 | V_{CC} | Power Supply |
| 3 | GND | Ground |

SOT-23

| | | |
|---|-------------------------|-------------------------|
| 1 | $\overline{\text{RST}}$ | Active Low Reset Output |
| 2 | V_{CC} | Power Supply |
| 3 | GND | Ground |

DESCRIPTION

The DS1818 EconoReset uses a precision temperature compensated reference and comparator circuit to monitor the status of the power supply (V_{CC}). When an out-of-tolerance condition is detected, an internal power fail signal is generated which forces reset to the active

state. When V_{CC} returns to an in-tolerance condition, the reset signal is kept in the active state for approximately 150 ms to allow the power supply and processor to stabilize.

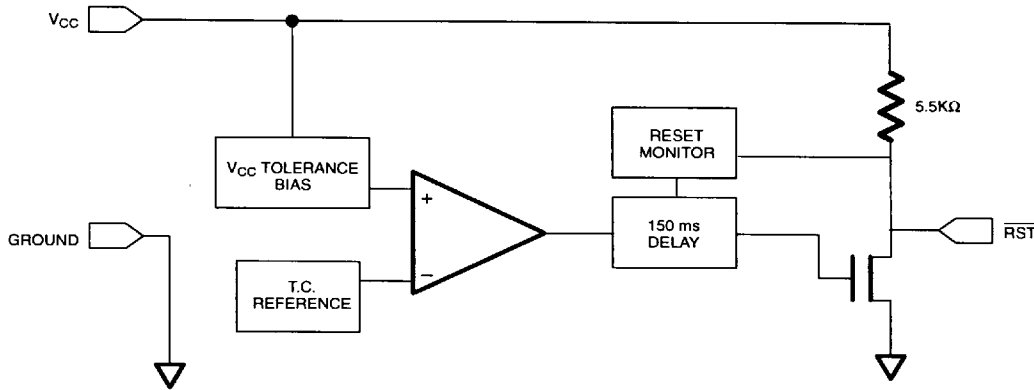
The DS1818 also monitors a pushbutton on the reset output. If the reset line is pulled low, a reset is generated upon release and the DS1818 output will be held in reset output low for typically 150 ms.

OPERATION – POWER MONITOR

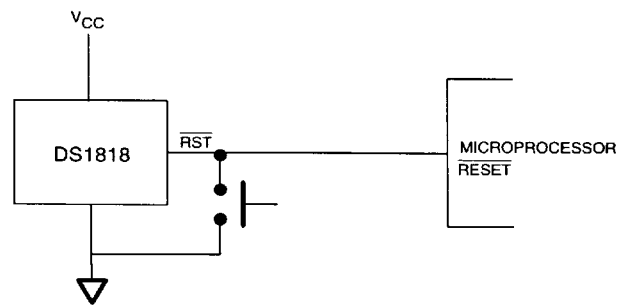
The DS1818 provides the functions of detecting out-of-tolerance power supply conditions and warning a pro-

cessor-based system of impending power failures. When V_{CC} is detected as out-of-tolerance, the \overline{RST} signal is asserted. On power-up, \overline{RST} is kept active for approximately 150 ms after the power supply has reached the selected tolerance. This allows the power supply and microprocessor to stabilize before \overline{RST} is released.

BLOCK DIAGRAM (OPEN-DRAIN OUTPUT) Figure 1



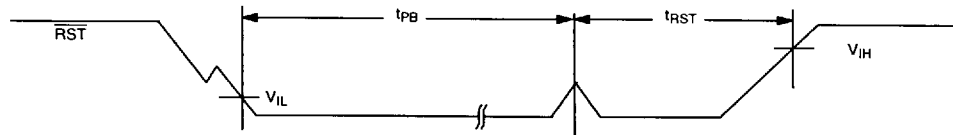
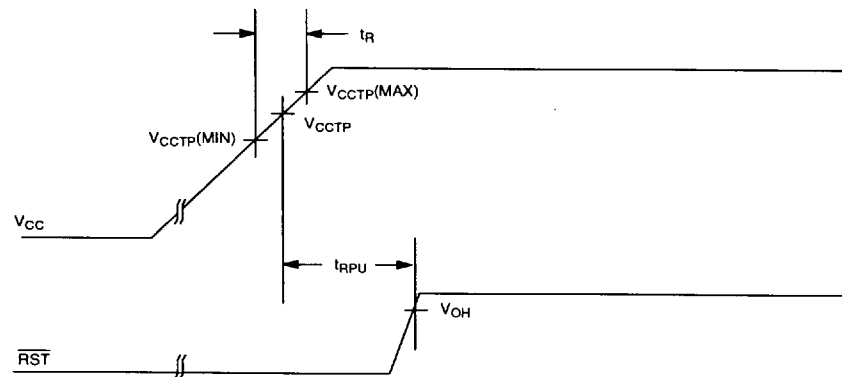
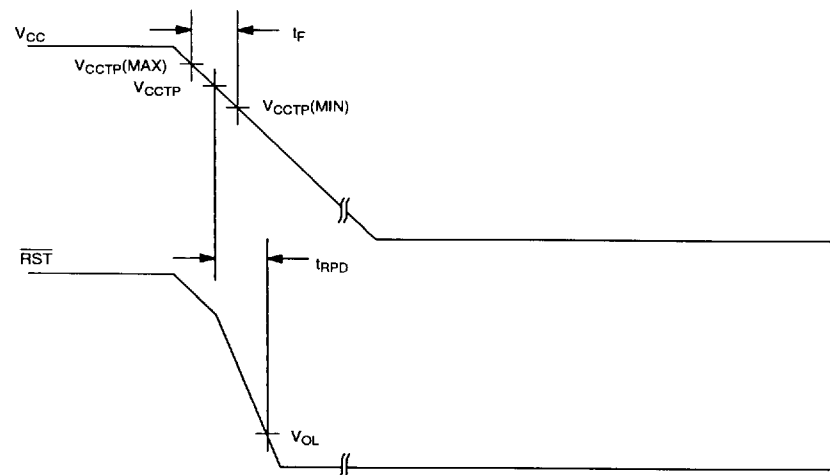
APPLICATION EXAMPLE Figure 2



OPERATION – PUSHBUTTON RESET

The DS1818 provides a pushbutton switch for manual reset control. When the DS1818 is not in a reset cycle, a pushbutton reset can be generated by pulling the $\overline{\text{RST}}$ pin low for at least 1 μs . When the pushbutton is held

low, the $\overline{\text{RST}}$ is forced active low and will remain active low for about 150 ms after the pushbutton is released. See Figure 2 for an application example and Figure 3 for the timing diagram.

TIMING DIAGRAM: PUSHBUTTON RESET Figure 3**TIMING DIAGRAM: POWER UP** Figure 4**TIMING DIAGRAM: POWER DOWN** Figure 5

ABSOLUTE MAXIMUM RATINGS*

| | |
|--|--------------------------|
| Voltage on V_{CC} Pin Relative to Ground | -0.5V to +7.0V |
| Voltage on \overline{RST} Relative to Ground | -0.5V to $V_{CC} + 0.5V$ |
| Operating Temperature | -40°C to +85°C |
| Storage Temperature | -55°C to +125°C |
| Soldering Temperature | 260°C for 10 seconds |

* This is a stress rating only and functional operation of the device at these or any other conditions above those indicated in the operation sections of this specification is not implied. Exposure to absolute maximum rating conditions for extended periods of time may affect reliability.

RECOMMENDED DC OPERATING CONDITIONS

(-40°C to +85°C)

| PARAMETER | SYMBOL | MIN | TYP | MAX | UNITS | NOTES |
|----------------|----------|-----|-----|-----|-------|-------|
| Supply Voltage | V_{CC} | 1.0 | | 5.5 | V | 1 |

DC ELECTRICAL CHARACTERISTICS(-40°C to +85°C; $V_{CC} = 1.2V$ to 5.5V)

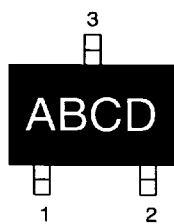
| PARAMETER | SYMBOL | MIN | TYP | MAX | UNITS | NOTES |
|-----------------------------------|------------|------|------|------|-----------|-------|
| Output Current @ 0.4V | I_{OL} | +10 | | | mA | 2, 3 |
| Operating Current $V_{CC} < 5.5V$ | I_{CC} | | 28 | 35 | μA | 4 |
| V_{CC} Trip Point (DS1818-10) | V_{CCTP} | 2.80 | 2.88 | 2.97 | V | 1 |
| V_{CC} Trip Point (DS1818-20) | V_{CCTP} | 2.47 | 2.55 | 2.64 | V | 1 |
| Internal Pull-up Resistor | R_P | 3.50 | 5.5 | 7.5 | $K\Omega$ | |
| Output Capacitance | C_{OUT} | | | 10 | pF | |

AC ELECTRICAL CHARACTERISTICS(-40°C to +85°C; $V_{CC} = 1.2V$ to 5.5V)

| PARAMETER | SYMBOL | MIN | TYP | MAX | UNITS | NOTES |
|--|-------------|-----|-----|-----|---------|-------|
| RESET Active Time | t_{RST} | 100 | 150 | 250 | ms | 5 |
| V_{CC} Detect to \overline{RST} | t_{RPD} | | 2 | 5 | μs | |
| V_{CC} Slew Rate (V_{CCTP} (MAX) to V_{CCTP} (MIN)) | t_F | 300 | | | μs | |
| V_{CC} Slew Rate (V_{CCTP} (MIN) to V_{CCTP} (MAX)) | t_R | 0 | | | ns | |
| V_{CC} Detect to \overline{RST} | t_{RPU} | 100 | 150 | 250 | ms | 5, 6 |
| Pushbutton Detect to \overline{RST} | t_{PB} | 1 | | | μs | |
| Pushbutton Reset | t_{PBRST} | 100 | 150 | 250 | ms | 5 |

NOTES:

- All voltages are referenced to ground.
- Measured with $V_{CC} \geq 2.7V$.
- A 1K Ω external pull-up resistor may be required in some applications for proper operation of the microprocessor reset control circuit.
- Measured with \overline{RST} output open.
- Measured with $2.7V \leq V_{CC} \leq 3.3V$.
- $t_R = 5 \mu s$.

PART MARKING CODES

"A", "B", & "C" represents the Device Type.

| | | |
|-----|---|--------|
| 810 | - | DS1810 |
| 811 | - | DS1811 |
| 812 | - | DS1812 |
| 813 | - | DS1813 |
| 815 | - | DS1815 |
| 816 | - | DS1816 |
| 817 | - | DS1817 |
| 818 | - | DS1818 |

"D" represents the Device Tolerance.

| | | |
|---|---|-----|
| A | - | 5% |
| B | - | 10% |
| C | - | 15% |
| D | - | 20% |