

## 2.25 WATT SIP DC/DC CONVERTERS

### FEATURES

- ① 1.5, 2.25 to 2.34 Watts
- ② Up to 80% Efficiency
- ③ Momentary Short Circuit Protection
- ④ 12-Pin SIP Package

### GENERAL SPECIFICATIONS

- Efficiency (unregulated) ..... 70%
- Efficiency (regulated) ..... 50%
- Switching Frequency ..... 50KHz min.
- Isolation Voltage ..... 500Vdc min.
- Operating Temperature ..... 0 to +70°C

### INPUT SPECIFICATIONS

- Voltage ..... 5, 12 or 24Vdc
- Voltage Range ..... ±5%
- Input Filter ..... Cap

### OUTPUT SPECIFICATIONS

- Voltage ..... Per Table
- Voltage Accuracy ..... ±5%
- Ripple & Noise 20MHz BW ..... 100mV p-p
- Load Regulation (unregulated)..... ±8%
- Load Regulation (regulated)..... ±.5%

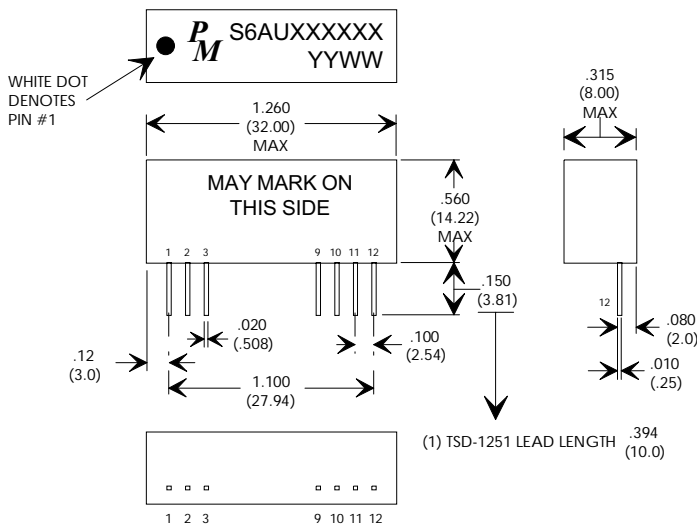
### ELECTRICAL SPECIFICATIONS AT 25°C - OPERATING TEMPERATURE RANGE 0°C TO 70°C

PART NUMBER	INPUT VOLTAGE (Vdc)	OUTPUT VOLTAGE (Vdc)	OUTPUT CURRENT (mA max.)	REGULATED OUTPUT	INPUT CURRENT (mA typ.)	
					NO LOAD	FULL LOAD
S6AU050925	5	9	250	NO	-----	600
TSD-1251 <sup>(1)</sup>	5	9	250	NO	-----	600
S6AU120925	12	9	250	NO	-----	300
TSD-515	5	5.2	450	NO	-----	600
S6AU242407(2)	24	24	70	YES	-----	-----

### PACKAGE

#### PHYSICAL DIMENSIONS .... DIMENSIONS IN mm (inches)

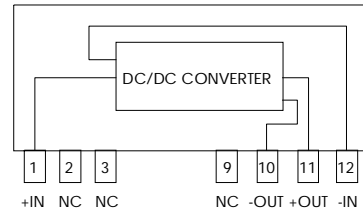
- (1) TSD-1251 LEAD LENGTH IS .472" (12.0mm)
- (2) S6AU242407: L=1.35"(34.3mm)MAX. W =.40"(10.16mm)MAX, HT=.61(15.5mm)MAX.



Specifications subject to change without notice.

### SCHEMATIC

#### SCHEMATIC DIAGRAM



PIN NUMBER	FUNCTION
1	+INPUT
2	NC
3	NC
4	OMITTED
5	OMITTED
6	OMITTED
7	OMITTED
8	OMITTED
9	NC
10	-OUTPUT
11	+OUTPUT
12	-INPUT

s6au 07/00