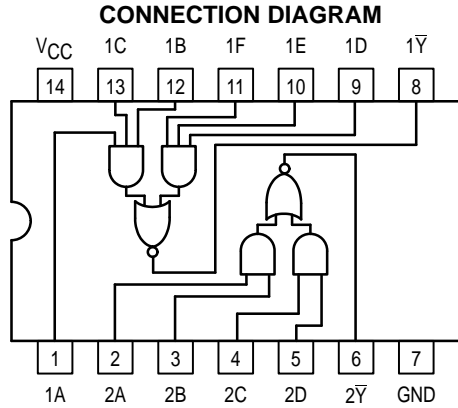




DUAL 2-WIDE 2-INPUT, 2-WIDE 3-INPUT AND-OR-INVERT GATE



MC54/74F51

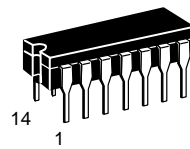
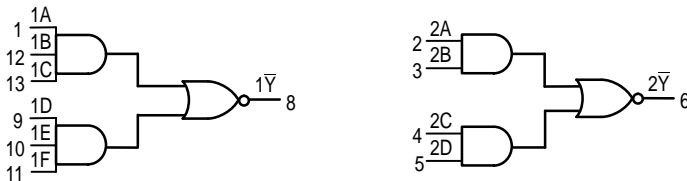
DUAL 2-WIDE 2-INPUT, 2-WIDE 3-INPUT AND-OR-INVERT GATE
FAST™ SCHOTTKY TTL

FUNCTION TABLE

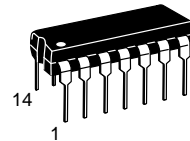
For 3-Input Gates							For 2-Input Gates				
Inputs			Inputs			Output	Inputs				Output
A	B	C	D	E	F	1Ȳ	A	B	C	D	2Ȳ
H	H	H	X	X	X	L	H	H	X	X	L
X	X	X	H	H	H	L	X	X	H	H	L
All other combinations						H	All other combinations				H

H = HIGH Voltage Level
 L = LOW Voltage Level
 X = Don't Care

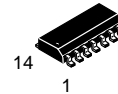
LOGIC SYMBOL



J SUFFIX
 CERAMIC
 CASE 632-08



N SUFFIX
 PLASTIC
 CASE 646-06



D SUFFIX
 SOIC
 CASE 751A-02

ORDERING INFORMATION

MC54FXXJ Ceramic
 MC74FXXN Plastic
 MC74FXXD SOIC

GUARANTEED OPERATING RANGES

Symbol	Parameter		Min	Typ	Max	Unit
V _{CC}	Supply Voltage	54,74	4.5	5.0	5.5	V
T _A	Operating Ambient Temperature Range	54	-55	25	125	°C
		74	0	25	70	
I _{OH}	Output Current — High	54, 74			-1.0	mA
I _{OL}	Output Current — Low	54, 74			20	mA

MC54/74F51

DC CHARACTERISTICS OVER OPERATING TEMPERATURE RANGE (unless otherwise specified)

Symbol	Parameter	Limits			Unit	Test Conditions
		Min	Typ	Max		
V _{IH}	Input HIGH Voltage	2.0			V	Guaranteed Input HIGH Voltage
V _{IL}	Input LOW Voltage			0.8	V	Guaranteed Input LOW Voltage
V _{IK}	Input Clamp Diode Voltage			-1.2	V	V _{CC} = MIN, I _{IN} = -18 mA
V _{OH}	Output HIGH Voltage	54, 74	2.5		V	I _{OH} = -1.0 mA, V _{CC} = 4.50 V
		74	2.7		V	I _{OH} = -1.0 mA, V _{CC} = 4.75 V
V _{OL}	Output LOW Voltage			0.5	V	I _{OL} = 20 mA, V _{CC} = MIN
I _{IH}	Input HIGH Current			20	μA	V _{CC} = MAX, V _{IN} = 2.7 V
				0.1	mA	V _{CC} = MAX, V _{IN} = 7.0 V
I _{IL}	Input LOW Current			-0.6	mA	V _{CC} = MAX, V _{IN} = 0.5 V
I _{OS}	Output Short Circuit Current (Note 2)	-60		-150	mA	V _{CC} = MAX, V _{OUT} = 0 V
I _{CC}	Total Supply Current	I _{CC} H	1.8	3.0	mA	V _{IN} = GND, V _{CC} = MAX
		I _{CC} L	5.5	7.5		V _{IN} = 4.5 V

NOTES:

1. For conditions shown as MIN or MAX, use the appropriate value specified under recommended operating conditions for the applicable device type.
2. Not more than one output should be shorted at a time, nor for more than 1 second.

AC ELECTRICAL CHARACTERISTICS

Symbol	Parameter	54/74F			54F		74F		Unit
		T _A = +25°C V _{CC} = +5.0 V C _L = 50 pF			T _A = -55°C to +125°C V _{CC} = 5.0 V ± 10% C _L = 50 pF		T _A = 0°C to +70°C V _{CC} = 5.0 V ± 10% C _L = 50 pF		
		Min	Typ	Max	Min	Max	Min	Max	
t _{PLH}	Propagation Delay	2.0		5.5	1.5	7.5	1.5	6.5	ns
t _{PHL}	A, B, C, D, E, F, to n \bar{Y}	1.0		4.0	1.0	5.5	1.0	4.5	