

LZ21N3V/VS

1/2-type Interline Color CCD Area Sensors with 2 140 k Pixels

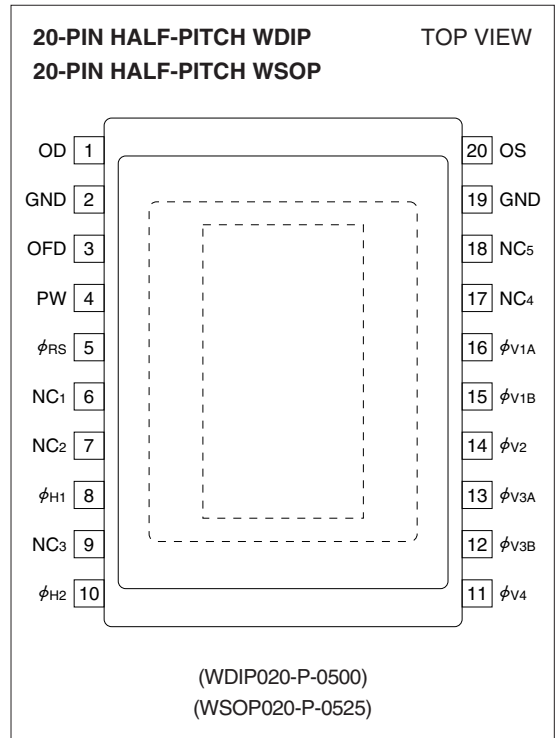
DESCRIPTION

The LZ21N3V/VS are 1/2-type (8.08 mm) solid-state image sensors that consist of PN photodiodes and CCDs (charge-coupled devices). With approximately 2 140 000 pixels (1 704 horizontal x 1 255 vertical), the sensor provides a stable high-resolution color image.

FEATURES

- Optical size : 8.08 mm (aspect ratio 4 : 3)
- Interline scan format
- Square pixel
- Number of effective pixels : 1 650 (H) x 1 250 (V)
- Number of optical black pixels
 - Horizontal : 2 front and 52 rear
 - Vertical : 3 front and 2 rear
- Number of dummy bits
 - Horizontal : 28
 - Vertical : 2
- Pixel pitch : 3.95 μm (H) x 3.95 μm (V)
- R, G, and B primary color mosaic filters
- Supports monitoring mode
- Low fixed-pattern noise and lag
- No burn-in and no image distortion
- Blooming suppression structure
- Built-in output amplifier
- Built-in overflow drain voltage circuit and reset gate voltage circuit
- Variable electronic shutter
- Packages
 - LZ21N3V : 20-pin half-pitch WDIP [Plastic]
(WDIP020-P-0500)
Row space : 12.20 mm
 - LZ21N3VS : 20-pin half-pitch WSOP [Plastic]
(WSOP020-P-0525)

PIN CONNECTIONS



PRECAUTIONS

- The exit pupil position of lens should be 30 to 50 mm from the top surface of the CCD.
- Refer to "**PRECAUTIONS FOR CCD AREA SENSORS**" for details.

COMPARISON TABLE

	LZ21N3V	LZ21N3VS
Package	20-pin half-pitch WDIP	20-pin half-pitch WSOP

PIN DESCRIPTION

SYMBOL	PIN NAME
OD	Output transistor drain
OS	Output signals
ϕ RS	Reset transistor clock
ϕ V1A, ϕ V1B, ϕ V2, ϕ V3A, ϕ V3B, ϕ V4	Vertical shift register clock
ϕ H1, ϕ H2	Horizontal shift register clock
OFD	Overflow drain
PW	P-well
GND	Ground
NC1, NC2, NC3, NC4, NC5	No connection

ABSOLUTE MAXIMUM RATINGS

(TA = +25 °C)

PARAMETER	SYMBOL	RATING	UNIT	NOTE
Output transistor drain voltage	VOD	0 to +15	V	
Overflow drain voltage	VOFD	Internal output	V	1
Reset gate clock voltage	V ϕ RS	Internal output	V	2
Vertical shift register clock voltage	V ϕ V	V _{PW} to +15	V	
Horizontal shift register clock voltage	V ϕ H	-0.3 to +12	V	
Voltage difference between P-well and vertical clock	V _{PW} -V ϕ V	-24 to 0	V	
Voltage difference between vertical clocks	V ϕ V-V ϕ V	0 to +15	V	3
Storage temperature	TSTG	-40 to +85	°C	
Ambient operating temperature	TOPR	-20 to +70	°C	

NOTES :

1. Do not connect to DC voltage directly. When OFD is connected to GND, connect V_{OD} to GND. Overflow drain clock is applied below 22 V_{p-p}.
2. Do not connect to DC voltage directly. When ϕ RS is connected to GND, connect V_{OD} to GND. Reset gate clock is applied below 8 V_{p-p}.
3. When clock width is below 10 μ s, and clock duty factor is below 0.1%, voltage difference between vertical clocks will be below 22 V.

RECOMMENDED OPERATING CONDITIONS

PARAMETER		SYMBOL	MIN.	TYP.	MAX.	UNIT	NOTE
Ambient operating temperature		TOPR		25.0		°C	
Output transistor drain voltage		VOD	12.5	13.0	13.5	V	
Overflow drain clock	p-p level	V ϕ OFD	18.6	19.5	20.9	V	1
Ground		GND		0.0		V	
P-well voltage		VPW	-8.0		V ϕ VL	V	2
Vertical shift register clock	LOW level	V ϕ V1AL, V ϕ V1BL, V ϕ V2L V ϕ V3AL, V ϕ V3BL, V ϕ V4L	-7.35	-7.0	-6.65	V	
	INTERMEDIATE level	V ϕ V1AI, V ϕ V1BI, V ϕ V2I V ϕ V3AI, V ϕ V3BI, V ϕ V4I		0.0		V	
	HIGH level	V ϕ V1AH, V ϕ V1BH V ϕ V3AH, V ϕ V3BH	12.5	13.0	13.5	V	
Horizontal shift register clock	LOW level	V ϕ H1L, V ϕ H2L	-0.05	0.0	0.05	V	
	HIGH level	V ϕ H1H, V ϕ H2H	4.5	4.8	5.5	V	
Reset gate clock	p-p level	V ϕ RS	4.5	4.8	5.5	V	1
Vertical shift register clock frequency		f ϕ V1A, f ϕ V1B, f ϕ V2 f ϕ V3A, f ϕ V3B, f ϕ V4		7.87		kHz	
Horizontal shift register clock frequency		f ϕ H1, f ϕ H2		17.94		MHz	
Reset gate clock frequency		f ϕ RS		17.94		MHz	

NOTES :

1. Use the circuit parameter indicated in "SYSTEM CONFIGURATION EXAMPLE", and do not connect to DC voltage directly.
2. VPW is set below V ϕ VL that is low level of vertical shift register clock, or is used with the same power supply that is connected to VL of V driver IC.

* To apply power, first connect GND and then turn on VOD. After turning on VOD, turn on PW first and then turn on other powers and pulses. Do not connect the device to or disconnect it from the plug socket while power is being applied.

CHARACTERISTICS (Drive method : 1/30 s frame accumulation)

(TA = +25 °C, Operating conditions : The typical values specified in "RECOMMENDED OPERATING CONDITIONS".

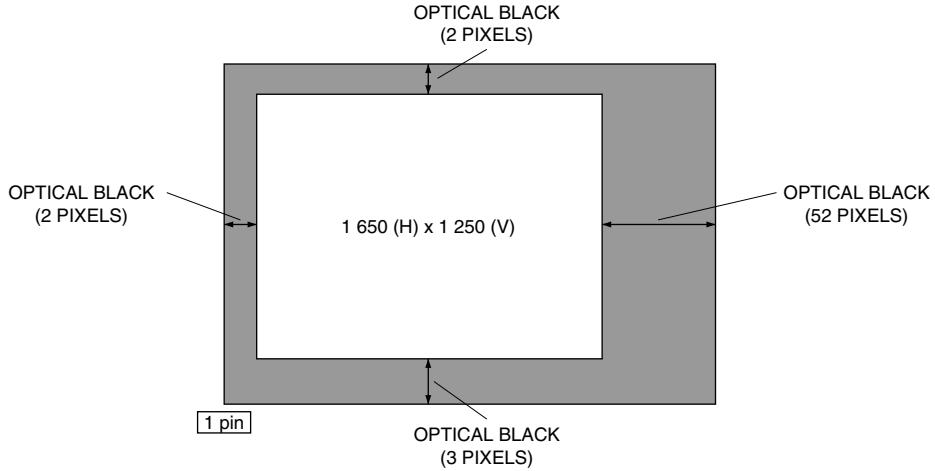
Color temperature of light source : 3 200 K, IR cut-off filter (CM-500, 1 mm) is used.)

PARAMETER	SYMBOL	MIN.	TYP.	MAX.	UNIT	NOTE
Standard output voltage	Vo		150		mV	2
Photo response non-uniformity	PRNU			10	%	3
Saturation output voltage	VSAT	450	530		mV	4
		320	400		mV	5
Dark output voltage	VDARK		0.5	3.0	mV	1, 6
Dark signal non-uniformity	DSNU		0.5	2.0	mV	1, 7
Sensitivity (green channel)	R	140	180		mV	8
Smear ratio	SMR		-89	-82	dB	9
Image lag	AI			1.0	%	10
Blooming suppression ratio	ABL	1 000				11
Output transistor drain current	IOD		4.0	8.0	mA	

NOTES :

- Within the recommended operating conditions of VOD, VOFD of the internal output satisfies with ABL larger than 1 000 times exposure of the standard exposure conditions, and VSAT larger than 320 mV.
1. TA = +60 °C
 2. The average output voltage of G signal under uniform illumination. The standard exposure conditions are defined as when Vo is 150 mV.
 3. The image area is divided into 10 x 10 segments under the standard exposure conditions. Each segment's voltage is the average output voltage of all pixels within the segment. PRNU is defined by (Vmax - Vmin)/Vo, where Vmax and Vmin are the maximum and minimum values of each segment's voltage respectively.
 4. The image area is divided into 10 x 10 segments. Each segment's voltage is the average output voltage of all pixels within the segment. VSAT is the minimum segment's voltage under 10 times exposure of the standard exposure conditions. The operation of OFDC is high. (for still image capturing)
 5. The image area is divided into 10 x 10 segments. Each segment's voltage is the average output voltage of all pixels within the segment. VSAT is the minimum segment's voltage under 10 times exposure of the standard exposure conditions. The operation of OFDC is low.
 6. The average output voltage under non-exposure conditions.
 7. The image area is divided into 10 x 10 segments under non-exposure conditions. DSNU is defined by (Vdmax - Vdmin), where Vdmax and Vdmin are the maximum and minimum values of each segment's voltage respectively.
 8. The average output voltage of G signal when a 1 000 lux light source with a 90% reflector is imaged by a lens of F4, f50 mm.
 9. The sensor is exposed only in the central area of V/10 square with a lens at F4, where V is the vertical image size. SMR is defined by the ratio of the output voltage detected during the vertical blanking period to the maximum output voltage in the V/10 square.
 10. The sensor is exposed at the exposure level corresponding to the standard conditions. AI is defined by the ratio of the output voltage measured at the 1st field during the non-exposure period to the standard output voltage.
 11. The sensor is exposed only in the central area of V/10 square, where V is the vertical image size. ABL is defined by the ratio of the exposure at the standard conditions to the exposure at a point where blooming is observed.

PIXEL STRUCTURE

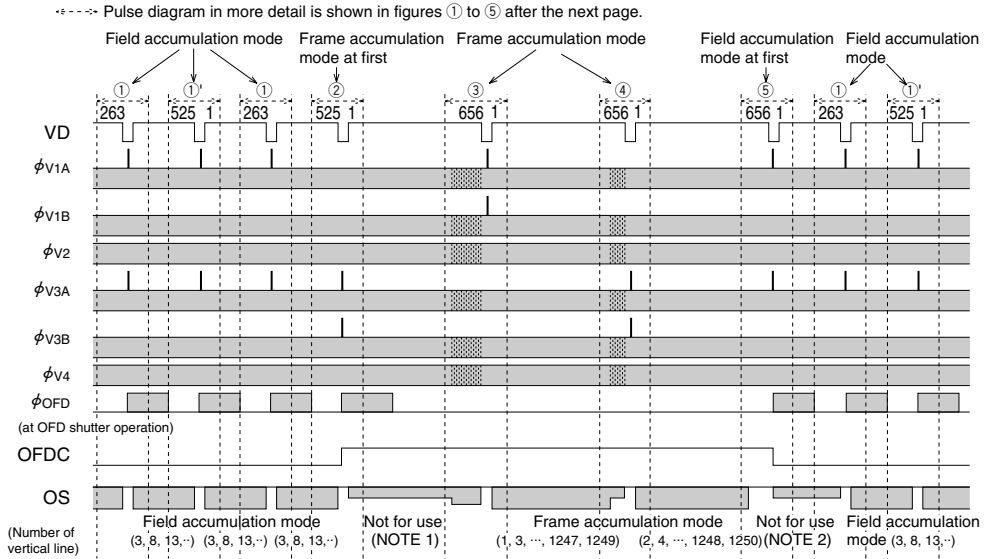


COLOR FILTER ARRAY

	(1, 1 250)		(1 650, 1 250)																																																																																																																																																																																																																																																																																																																																																																																																																																																																																																
Pin arrangement of the vertical readout clock	ϕ_{V3B} ϕ_{V1B} ϕ_{V3A} ϕ_{V1B} ϕ_{V3B} ϕ_{V1B} ϕ_{V3B} ϕ_{V1A} ϕ_{V3B} ϕ_{V1B} ϕ_{V3B} ϕ_{V1B}	<table border="1" style="border-collapse: collapse; text-align: center; font-size: 8px;"> <tr><td>G</td><td>B</td><td>G</td><td>B</td><td>G</td><td>B</td><td>G</td><td>B</td><td>G</td><td>B</td></tr> <tr><td>R</td><td>G</td><td>R</td><td>G</td><td>R</td><td>G</td><td>R</td><td>G</td><td>R</td><td>G</td></tr> <tr><td>G</td><td>B</td><td>G</td><td>B</td><td>G</td><td>B</td><td>G</td><td>B</td><td>G</td><td>B</td></tr> <tr><td>R</td><td>G</td><td>R</td><td>G</td><td>R</td><td>G</td><td>R</td><td>G</td><td>R</td><td>G</td></tr> <tr><td>G</td><td>B</td><td>G</td><td>B</td><td>G</td><td>B</td><td>G</td><td>B</td><td>G</td><td>B</td></tr> <tr><td>R</td><td>G</td><td>R</td><td>G</td><td>R</td><td>G</td><td>R</td><td>G</td><td>R</td><td>G</td></tr> <tr><td>G</td><td>B</td><td>G</td><td>B</td><td>G</td><td>B</td><td>G</td><td>B</td><td>G</td><td>B</td></tr> <tr><td>R</td><td>G</td><td>R</td><td>G</td><td>R</td><td>G</td><td>R</td><td>G</td><td>R</td><td>G</td></tr> <tr><td>G</td><td>B</td><td>G</td><td>B</td><td>G</td><td>B</td><td>G</td><td>B</td><td>G</td><td>B</td></tr> <tr><td>R</td><td>G</td><td>R</td><td>G</td><td>R</td><td>G</td><td>R</td><td>G</td><td>R</td><td>G</td></tr> <tr><td>G</td><td>B</td><td>G</td><td>B</td><td>G</td><td>B</td><td>G</td><td>B</td><td>G</td><td>B</td></tr> <tr><td>R</td><td>G</td><td>R</td><td>G</td><td>R</td><td>G</td><td>R</td><td>G</td><td>R</td><td>G</td></tr> <tr><td>G</td><td>B</td><td>G</td><td>B</td><td>G</td><td>B</td><td>G</td><td>B</td><td>G</td><td>B</td></tr> <tr><td>R</td><td>G</td><td>R</td><td>G</td><td>R</td><td>G</td><td>R</td><td>G</td><td>R</td><td>G</td></tr> <tr><td>G</td><td>B</td><td>G</td><td>B</td><td>G</td><td>B</td><td>G</td><td>B</td><td>G</td><td>B</td></tr> <tr><td>R</td><td>G</td><td>R</td><td>G</td><td>R</td><td>G</td><td>R</td><td>G</td><td>R</td><td>G</td></tr> <tr><td>G</td><td>B</td><td>G</td><td>B</td><td>G</td><td>B</td><td>G</td><td>B</td><td>G</td><td>B</td></tr> <tr><td>R</td><td>G</td><td>R</td><td>G</td><td>R</td><td>G</td><td>R</td><td>G</td><td>R</td><td>G</td></tr> <tr><td>G</td><td>B</td><td>G</td><td>B</td><td>G</td><td>B</td><td>G</td><td>B</td><td>G</td><td>B</td></tr> <tr><td>R</td><td>G</td><td>R</td><td>G</td><td>R</td><td>G</td><td>R</td><td>G</td><td>R</td><td>G</td></tr> <tr><td>G</td><td>B</td><td>G</td><td>B</td><td>G</td><td>B</td><td>G</td><td>B</td><td>G</td><td>B</td></tr> <tr><td>R</td><td>G</td><td>R</td><td>G</td><td>R</td><td>G</td><td>R</td><td>G</td><td>R</td><td>G</td></tr> <tr><td>G</td><td>B</td><td>G</td><td>B</td><td>G</td><td>B</td><td>G</td><td>B</td><td>G</td><td>B</td></tr> <tr><td>R</td><td>G</td><td>R</td><td>G</td><td>R</td><td>G</td><td>R</td><td>G</td><td>R</td><td>G</td></tr> </table>	G	B	G	B	G	B	G	B	G	B	R	G	R	G	R	G	R	G	R	G	G	B	G	B	G	B	G	B	G	B	R	G	R	G	R	G	R	G	R	G	G	B	G	B	G	B	G	B	G	B	R	G	R	G	R	G	R	G	R	G	G	B	G	B	G	B	G	B	G	B	R	G	R	G	R	G	R	G	R	G	G	B	G	B	G	B	G	B	G	B	R	G	R	G	R	G	R	G	R	G	G	B	G	B	G	B	G	B	G	B	R	G	R	G	R	G	R	G	R	G	G	B	G	B	G	B	G	B	G	B	R	G	R	G	R	G	R	G	R	G	G	B	G	B	G	B	G	B	G	B	R	G	R	G	R	G	R	G	R	G	G	B	G	B	G	B	G	B	G	B	R	G	R	G	R	G	R	G	R	G	G	B	G	B	G	B	G	B	G	B	R	G	R	G	R	G	R	G	R	G	G	B	G	B	G	B	G	B	G	B	R	G	R	G	R	G	R	G	R	G	G	B	G	B	G	B	G	B	G	B	R	G	R	G	R	G	R	G	R	G	<table border="1" style="border-collapse: collapse; text-align: center; font-size: 8px;"> <tr><td>G</td><td>B</td><td>G</td><td>B</td><td>G</td><td>B</td><td>G</td><td>B</td><td>G</td><td>B</td></tr> <tr><td>R</td><td>G</td><td>R</td><td>G</td><td>R</td><td>G</td><td>R</td><td>G</td><td>R</td><td>G</td></tr> <tr><td>G</td><td>B</td><td>G</td><td>B</td><td>G</td><td>B</td><td>G</td><td>B</td><td>G</td><td>B</td></tr> <tr><td>R</td><td>G</td><td>R</td><td>G</td><td>R</td><td>G</td><td>R</td><td>G</td><td>R</td><td>G</td></tr> <tr><td>G</td><td>B</td><td>G</td><td>B</td><td>G</td><td>B</td><td>G</td><td>B</td><td>G</td><td>B</td></tr> <tr><td>R</td><td>G</td><td>R</td><td>G</td><td>R</td><td>G</td><td>R</td><td>G</td><td>R</td><td>G</td></tr> <tr><td>G</td><td>B</td><td>G</td><td>B</td><td>G</td><td>B</td><td>G</td><td>B</td><td>G</td><td>B</td></tr> <tr><td>R</td><td>G</td><td>R</td><td>G</td><td>R</td><td>G</td><td>R</td><td>G</td><td>R</td><td>G</td></tr> <tr><td>G</td><td>B</td><td>G</td><td>B</td><td>G</td><td>B</td><td>G</td><td>B</td><td>G</td><td>B</td></tr> <tr><td>R</td><td>G</td><td>R</td><td>G</td><td>R</td><td>G</td><td>R</td><td>G</td><td>R</td><td>G</td></tr> <tr><td>G</td><td>B</td><td>G</td><td>B</td><td>G</td><td>B</td><td>G</td><td>B</td><td>G</td><td>B</td></tr> <tr><td>R</td><td>G</td><td>R</td><td>G</td><td>R</td><td>G</td><td>R</td><td>G</td><td>R</td><td>G</td></tr> <tr><td>G</td><td>B</td><td>G</td><td>B</td><td>G</td><td>B</td><td>G</td><td>B</td><td>G</td><td>B</td></tr> <tr><td>R</td><td>G</td><td>R</td><td>G</td><td>R</td><td>G</td><td>R</td><td>G</td><td>R</td><td>G</td></tr> <tr><td>G</td><td>B</td><td>G</td><td>B</td><td>G</td><td>B</td><td>G</td><td>B</td><td>G</td><td>B</td></tr> <tr><td>R</td><td>G</td><td>R</td><td>G</td><td>R</td><td>G</td><td>R</td><td>G</td><td>R</td><td>G</td></tr> <tr><td>G</td><td>B</td><td>G</td><td>B</td><td>G</td><td>B</td><td>G</td><td>B</td><td>G</td><td>B</td></tr> <tr><td>R</td><td>G</td><td>R</td><td>G</td><td>R</td><td>G</td><td>R</td><td>G</td><td>R</td><td>G</td></tr> <tr><td>G</td><td>B</td><td>G</td><td>B</td><td>G</td><td>B</td><td>G</td><td>B</td><td>G</td><td>B</td></tr> <tr><td>R</td><td>G</td><td>R</td><td>G</td><td>R</td><td>G</td><td>R</td><td>G</td><td>R</td><td>G</td></tr> <tr><td>G</td><td>B</td><td>G</td><td>B</td><td>G</td><td>B</td><td>G</td><td>B</td><td>G</td><td>B</td></tr> <tr><td>R</td><td>G</td><td>R</td><td>G</td><td>R</td><td>G</td><td>R</td><td>G</td><td>R</td><td>G</td></tr> <tr><td>G</td><td>B</td><td>G</td><td>B</td><td>G</td><td>B</td><td>G</td><td>B</td><td>G</td><td>B</td></tr> <tr><td>R</td><td>G</td><td>R</td><td>G</td><td>R</td><td>G</td><td>R</td><td>G</td><td>R</td><td>G</td></tr> </table>	G	B	G	B	G	B	G	B	G	B	R	G	R	G	R	G	R	G	R	G	G	B	G	B	G	B	G	B	G	B	R	G	R	G	R	G	R	G	R	G	G	B	G	B	G	B	G	B	G	B	R	G	R	G	R	G	R	G	R	G	G	B	G	B	G	B	G	B	G	B	R	G	R	G	R	G	R	G	R	G	G	B	G	B	G	B	G	B	G	B	R	G	R	G	R	G	R	G	R	G	G	B	G	B	G	B	G	B	G	B	R	G	R	G	R	G	R	G	R	G	G	B	G	B	G	B	G	B	G	B	R	G	R	G	R	G	R	G	R	G	G	B	G	B	G	B	G	B	G	B	R	G	R	G	R	G	R	G	R	G	G	B	G	B	G	B	G	B	G	B	R	G	R	G	R	G	R	G	R	G	G	B	G	B	G	B	G	B	G	B	R	G	R	G	R	G	R	G	R	G	G	B	G	B	G	B	G	B	G	B	R	G	R	G	R	G	R	G	R	G	G	B	G	B	G	B	G	B	G	B	R	G	R	G	R	G	R	G	R	G
G	B	G	B	G	B	G	B	G	B																																																																																																																																																																																																																																																																																																																																																																																																																																																																																										
R	G	R	G	R	G	R	G	R	G																																																																																																																																																																																																																																																																																																																																																																																																																																																																																										
G	B	G	B	G	B	G	B	G	B																																																																																																																																																																																																																																																																																																																																																																																																																																																																																										
R	G	R	G	R	G	R	G	R	G																																																																																																																																																																																																																																																																																																																																																																																																																																																																																										
G	B	G	B	G	B	G	B	G	B																																																																																																																																																																																																																																																																																																																																																																																																																																																																																										
R	G	R	G	R	G	R	G	R	G																																																																																																																																																																																																																																																																																																																																																																																																																																																																																										
G	B	G	B	G	B	G	B	G	B																																																																																																																																																																																																																																																																																																																																																																																																																																																																																										
R	G	R	G	R	G	R	G	R	G																																																																																																																																																																																																																																																																																																																																																																																																																																																																																										
G	B	G	B	G	B	G	B	G	B																																																																																																																																																																																																																																																																																																																																																																																																																																																																																										
R	G	R	G	R	G	R	G	R	G																																																																																																																																																																																																																																																																																																																																																																																																																																																																																										
G	B	G	B	G	B	G	B	G	B																																																																																																																																																																																																																																																																																																																																																																																																																																																																																										
R	G	R	G	R	G	R	G	R	G																																																																																																																																																																																																																																																																																																																																																																																																																																																																																										
G	B	G	B	G	B	G	B	G	B																																																																																																																																																																																																																																																																																																																																																																																																																																																																																										
R	G	R	G	R	G	R	G	R	G																																																																																																																																																																																																																																																																																																																																																																																																																																																																																										
G	B	G	B	G	B	G	B	G	B																																																																																																																																																																																																																																																																																																																																																																																																																																																																																										
R	G	R	G	R	G	R	G	R	G																																																																																																																																																																																																																																																																																																																																																																																																																																																																																										
G	B	G	B	G	B	G	B	G	B																																																																																																																																																																																																																																																																																																																																																																																																																																																																																										
R	G	R	G	R	G	R	G	R	G																																																																																																																																																																																																																																																																																																																																																																																																																																																																																										
G	B	G	B	G	B	G	B	G	B																																																																																																																																																																																																																																																																																																																																																																																																																																																																																										
R	G	R	G	R	G	R	G	R	G																																																																																																																																																																																																																																																																																																																																																																																																																																																																																										
G	B	G	B	G	B	G	B	G	B																																																																																																																																																																																																																																																																																																																																																																																																																																																																																										
R	G	R	G	R	G	R	G	R	G																																																																																																																																																																																																																																																																																																																																																																																																																																																																																										
G	B	G	B	G	B	G	B	G	B																																																																																																																																																																																																																																																																																																																																																																																																																																																																																										
R	G	R	G	R	G	R	G	R	G																																																																																																																																																																																																																																																																																																																																																																																																																																																																																										
G	B	G	B	G	B	G	B	G	B																																																																																																																																																																																																																																																																																																																																																																																																																																																																																										
R	G	R	G	R	G	R	G	R	G																																																																																																																																																																																																																																																																																																																																																																																																																																																																																										
G	B	G	B	G	B	G	B	G	B																																																																																																																																																																																																																																																																																																																																																																																																																																																																																										
R	G	R	G	R	G	R	G	R	G																																																																																																																																																																																																																																																																																																																																																																																																																																																																																										
G	B	G	B	G	B	G	B	G	B																																																																																																																																																																																																																																																																																																																																																																																																																																																																																										
R	G	R	G	R	G	R	G	R	G																																																																																																																																																																																																																																																																																																																																																																																																																																																																																										
G	B	G	B	G	B	G	B	G	B																																																																																																																																																																																																																																																																																																																																																																																																																																																																																										
R	G	R	G	R	G	R	G	R	G																																																																																																																																																																																																																																																																																																																																																																																																																																																																																										
G	B	G	B	G	B	G	B	G	B																																																																																																																																																																																																																																																																																																																																																																																																																																																																																										
R	G	R	G	R	G	R	G	R	G																																																																																																																																																																																																																																																																																																																																																																																																																																																																																										
G	B	G	B	G	B	G	B	G	B																																																																																																																																																																																																																																																																																																																																																																																																																																																																																										
R	G	R	G	R	G	R	G	R	G																																																																																																																																																																																																																																																																																																																																																																																																																																																																																										
G	B	G	B	G	B	G	B	G	B																																																																																																																																																																																																																																																																																																																																																																																																																																																																																										
R	G	R	G	R	G	R	G	R	G																																																																																																																																																																																																																																																																																																																																																																																																																																																																																										
G	B	G	B	G	B	G	B	G	B																																																																																																																																																																																																																																																																																																																																																																																																																																																																																										
R	G	R	G	R	G	R	G	R	G																																																																																																																																																																																																																																																																																																																																																																																																																																																																																										
G	B	G	B	G	B	G	B	G	B																																																																																																																																																																																																																																																																																																																																																																																																																																																																																										
R	G	R	G	R	G	R	G	R	G																																																																																																																																																																																																																																																																																																																																																																																																																																																																																										
G	B	G	B	G	B	G	B	G	B																																																																																																																																																																																																																																																																																																																																																																																																																																																																																										
R	G	R	G	R	G	R	G	R	G																																																																																																																																																																																																																																																																																																																																																																																																																																																																																										
G	B	G	B	G	B	G	B	G	B																																																																																																																																																																																																																																																																																																																																																																																																																																																																																										
R	G	R	G	R	G	R	G	R	G																																																																																																																																																																																																																																																																																																																																																																																																																																																																																										
G	B	G	B	G	B	G	B	G	B																																																																																																																																																																																																																																																																																																																																																																																																																																																																																										
R	G	R	G	R	G	R	G	R	G																																																																																																																																																																																																																																																																																																																																																																																																																																																																																										
	(1, 1)		(1 650, 1)																																																																																																																																																																																																																																																																																																																																																																																																																																																																																																

TIMING CHART

TIMING CHART EXAMPLE



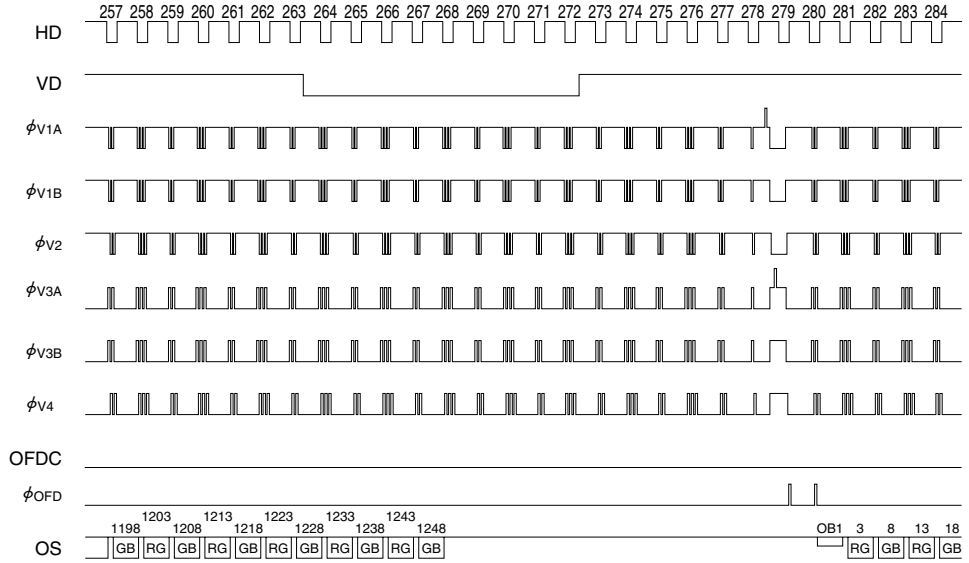
NOTES :

1. Do not use these signals immediately after field accumulation mode is transferred to frame accumulation mode for still image capturing.
2. Do not use these signals immediately after frame accumulation mode is transferred to field accumulation mode for monitoring image.

* Apply at least an OFD shutter pulse to OFD in each field accumulation mode.

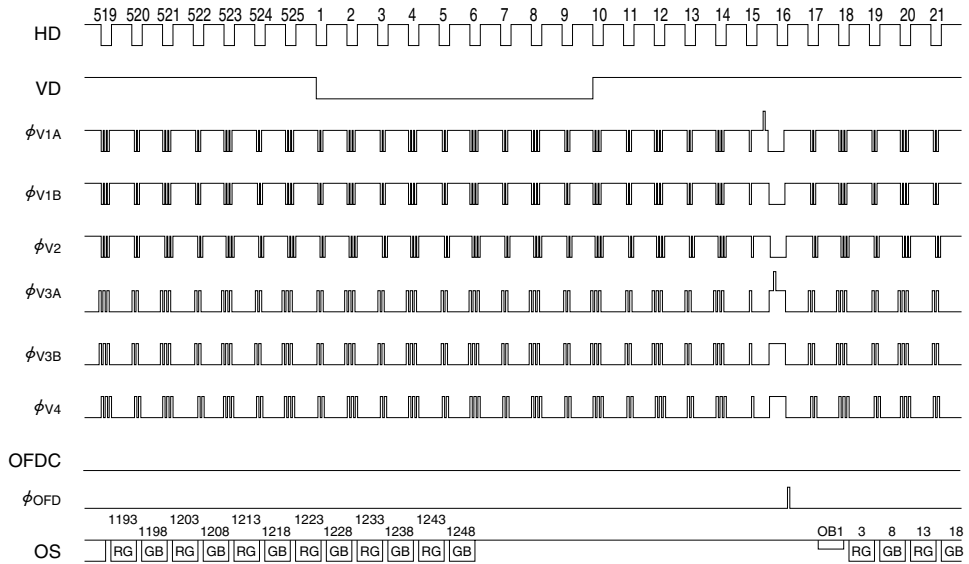
① VERTICAL TRANSFER TIMING [FIELD ACCUMULATION MODE]

Shutter speed
1/30 s

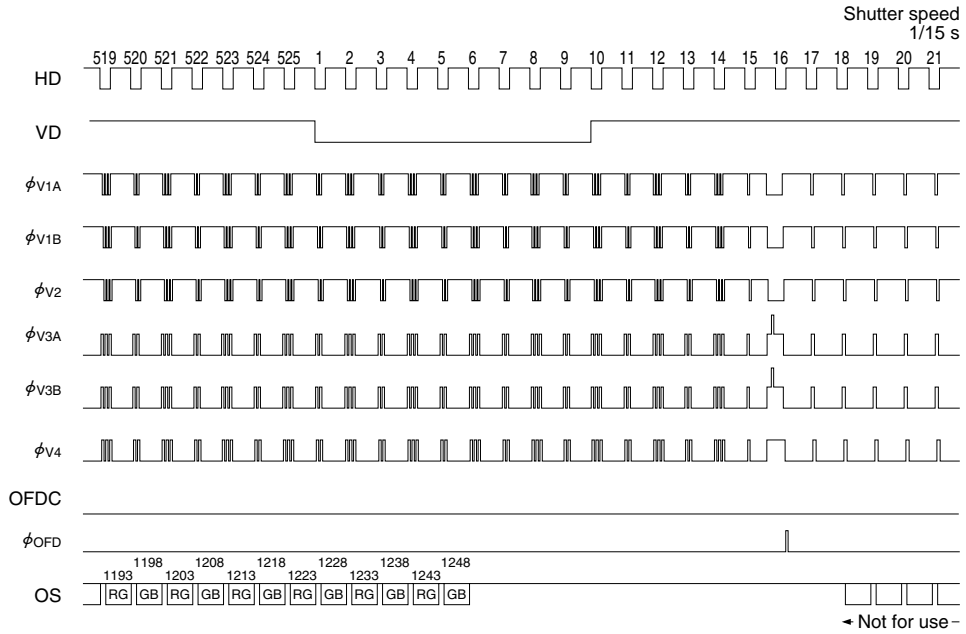


①' VERTICAL TRANSFER TIMING [FIELD ACCUMULATION MODE]

Shutter speed
1/30 s

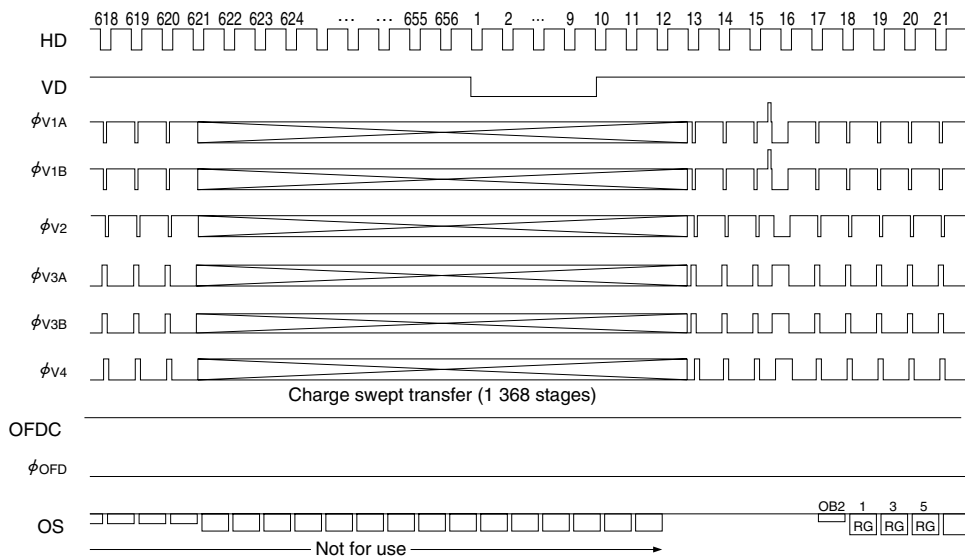


② VERTICAL TRANSFER TIMING [FRAME ACCUMULATION MODE AT FIRST]



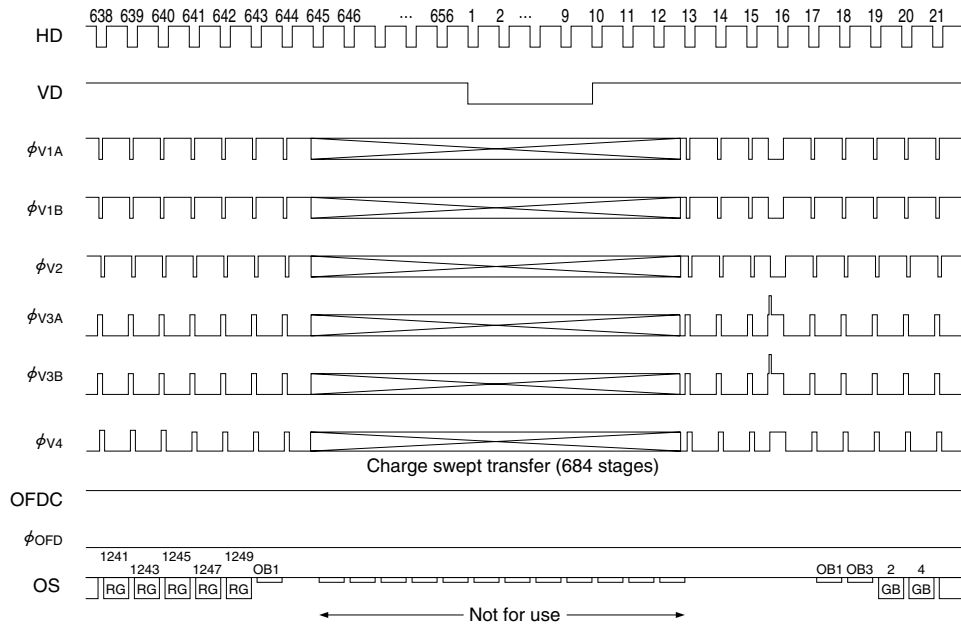
* Do not use the frame signals immediately after accumulation mode is transferred to frame accumulation mode.

③ VERTICAL TRANSFER TIMING [FRAME ACCUMULATION MODE]

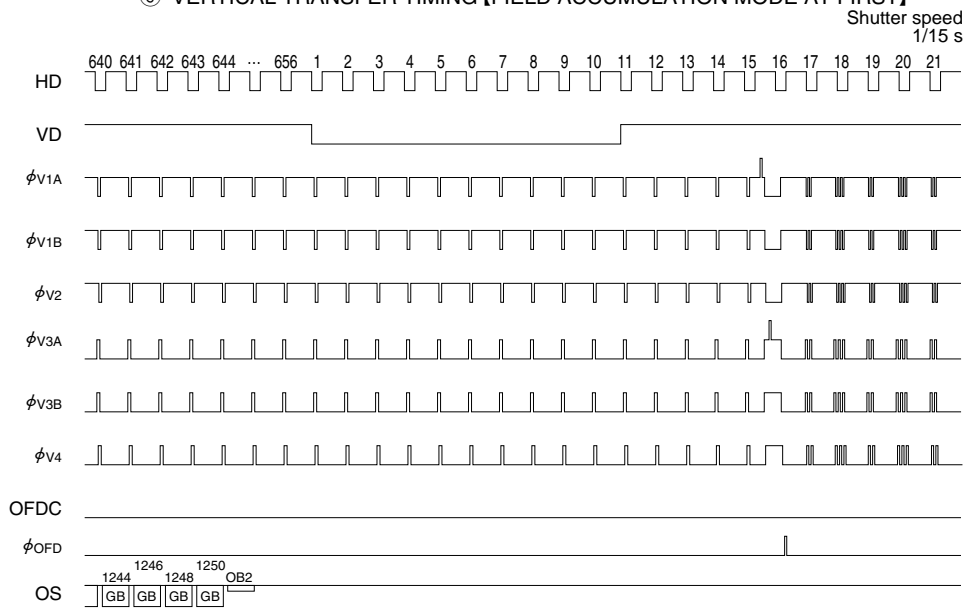


* Do not use the frame signals immediately after field accumulation mode is transferred to frame accumulation mode.

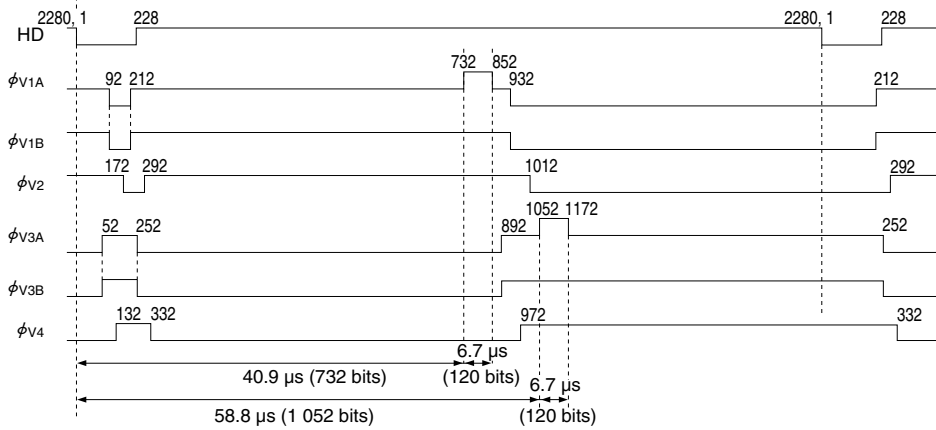
④ VERTICAL TRANSFER TIMING [FRAME ACCUMULATION MODE]



⑤ VERTICAL TRANSFER TIMING [FIELD ACCUMULATION MODE AT FIRST]

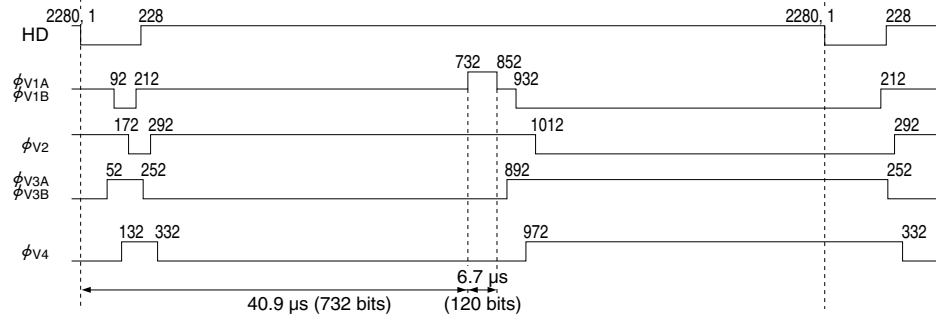


READOUT TIMING [FIELD ACCUMULATION MODE]

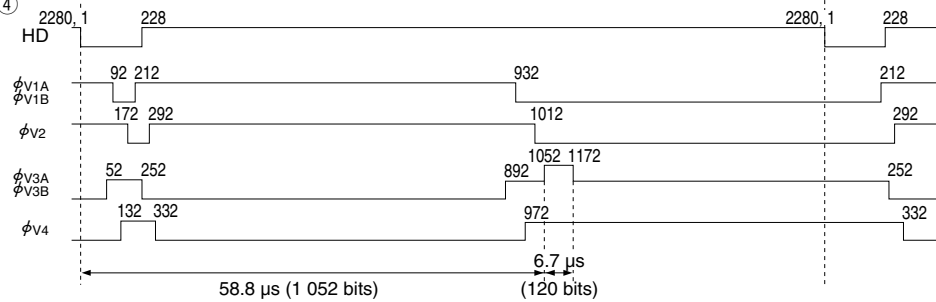


* Keep over 2.2 μ s when vertical transfer clock pulse is overlapping.

③ READOUT TIMING [FRAME ACCUMULATION MODE]



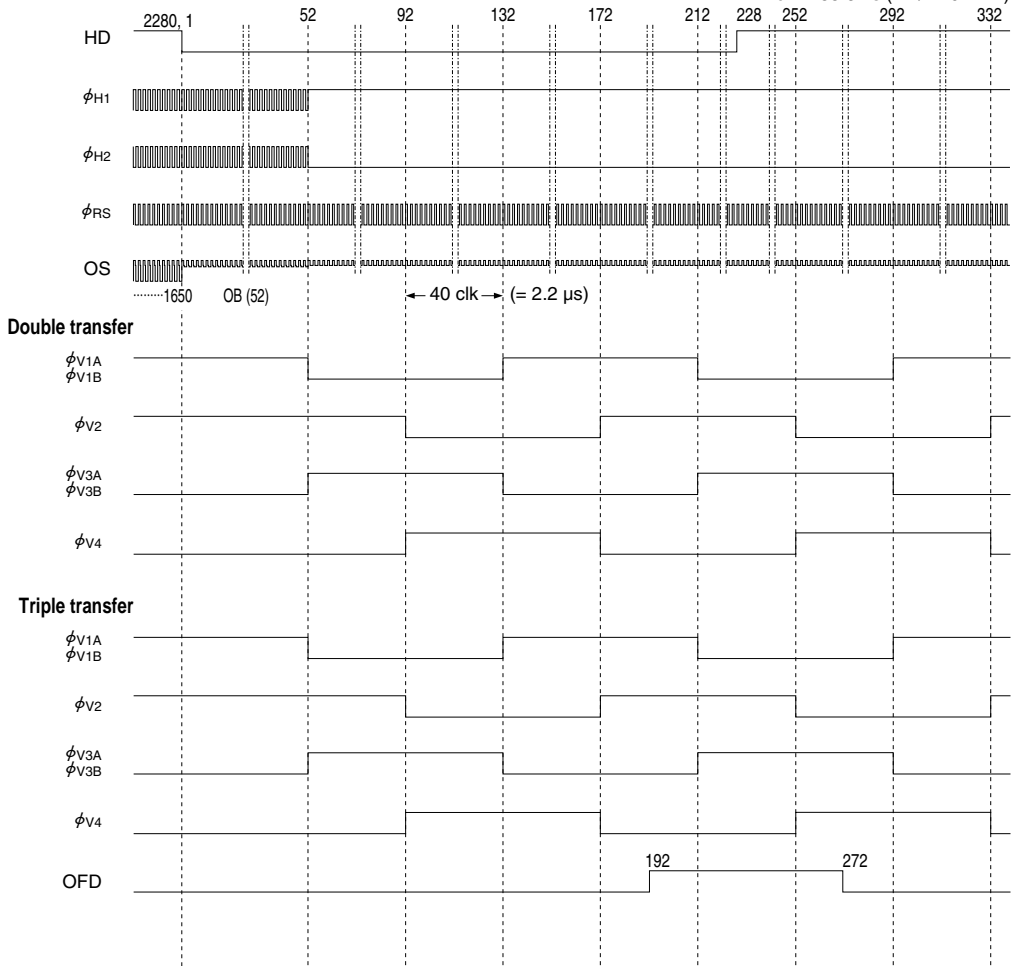
④



* Keep over 2.2 μ s when vertical transfer clock pulse is overlapping.

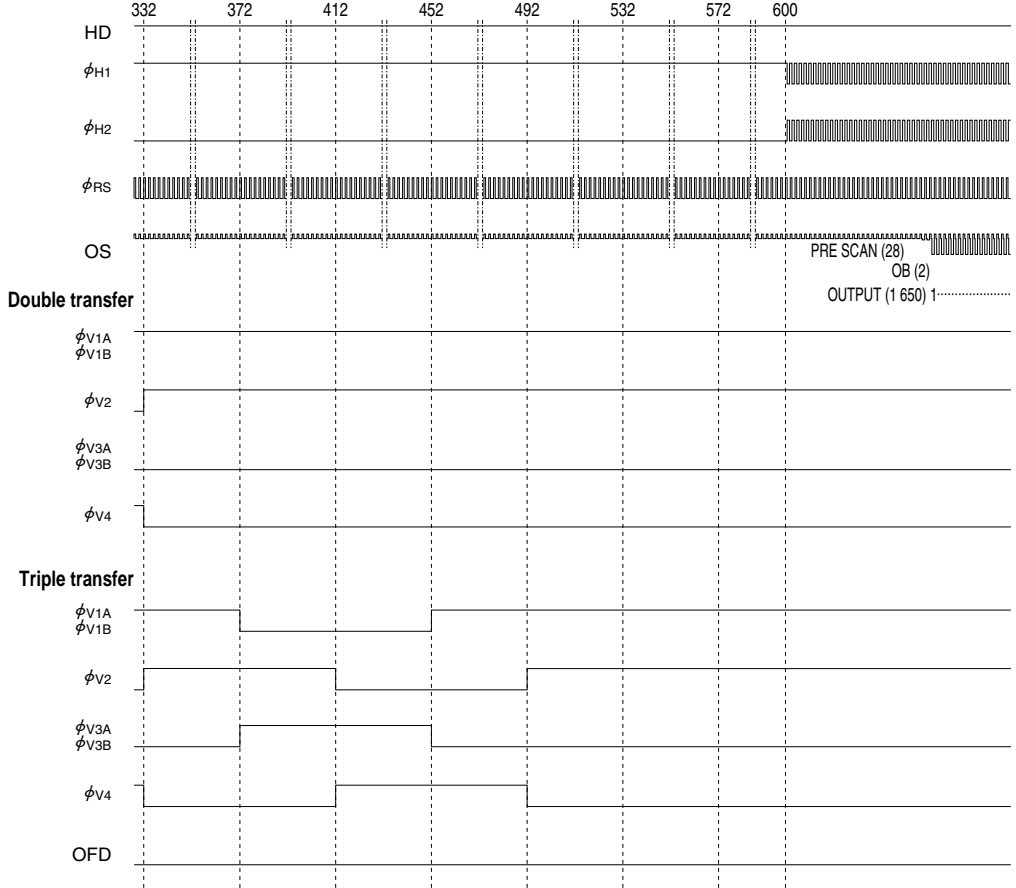
HORIZONTAL TRANSFER TIMING [FIELD ACCUMULATION MODE]-1

1 clk = 55.8 ns (= 1/17.9 MHz)

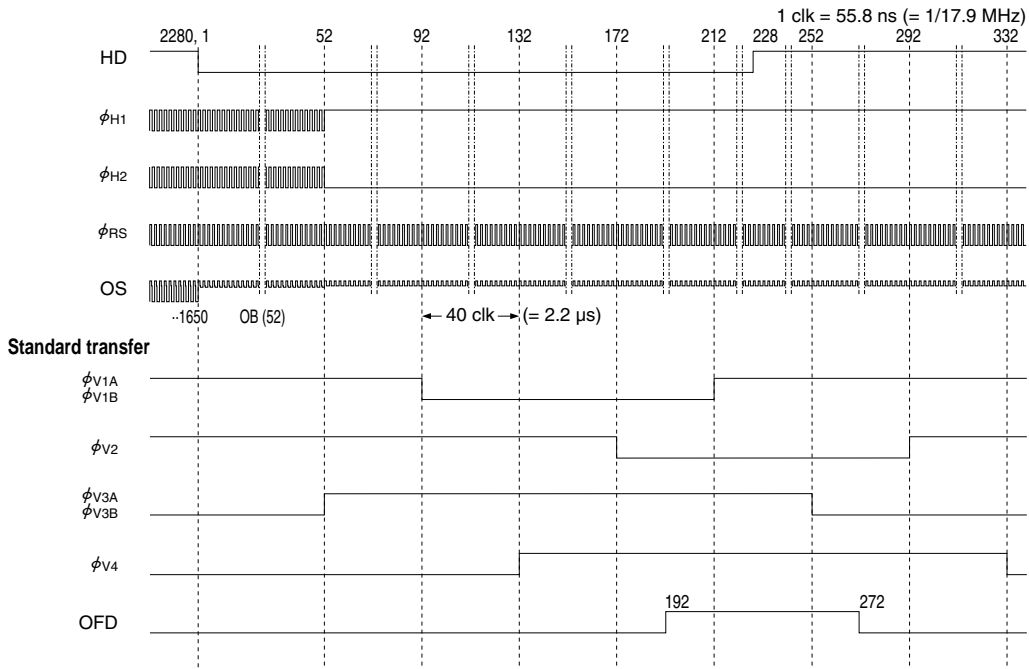


HORIZONTAL TRANSFER TIMING [FIELD ACCUMULATION MODE]-2

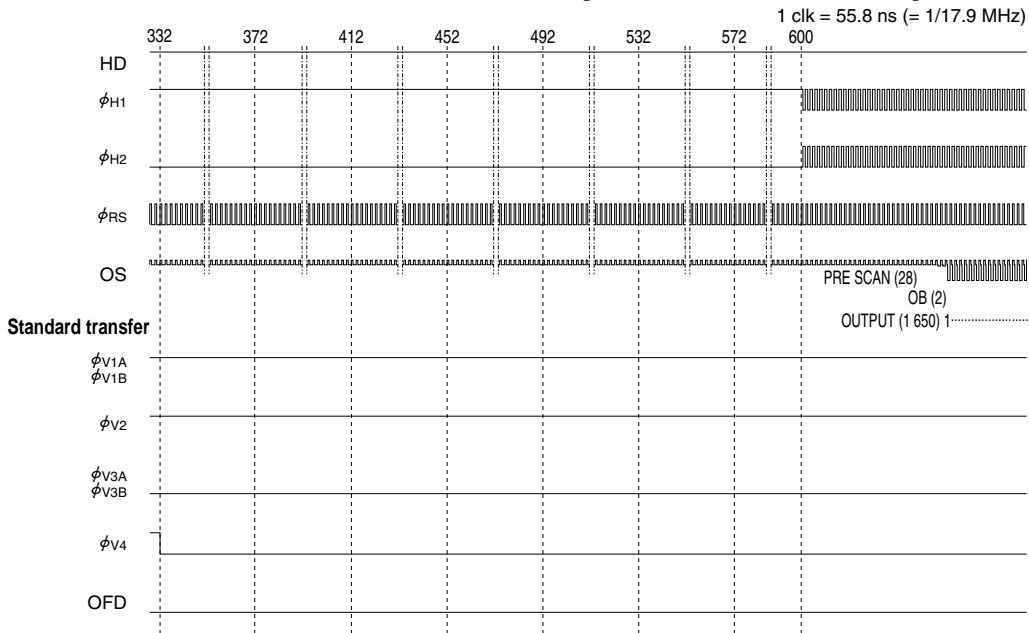
1 clk = 55.8 ns (= 1/17.9 MHz)



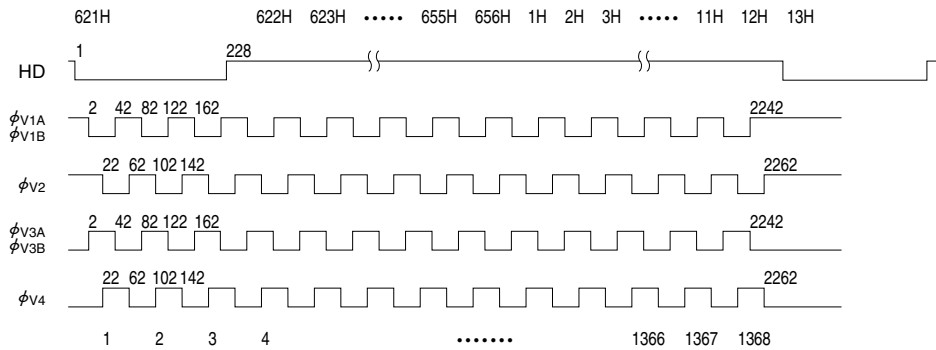
HORIZONTAL TRANSFER TIMING [FRAME ACCUMULATION MODE]-1



HORIZONTAL TRANSFER TIMING [FRAME ACCUMULATION MODE]-2

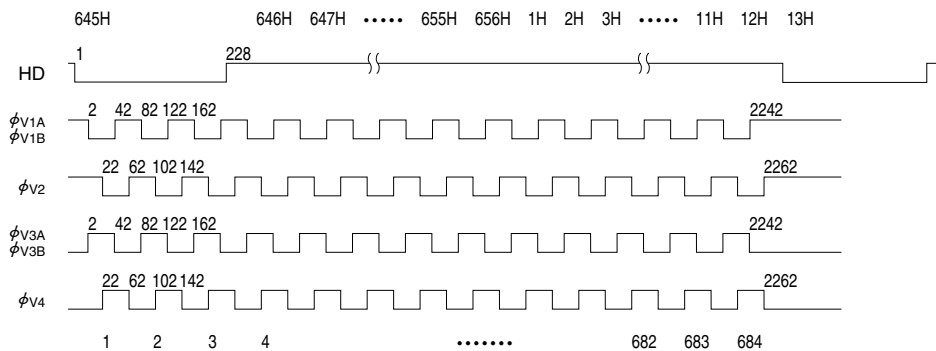


CHARGE SWEPT TRANSFER TIMING [③]



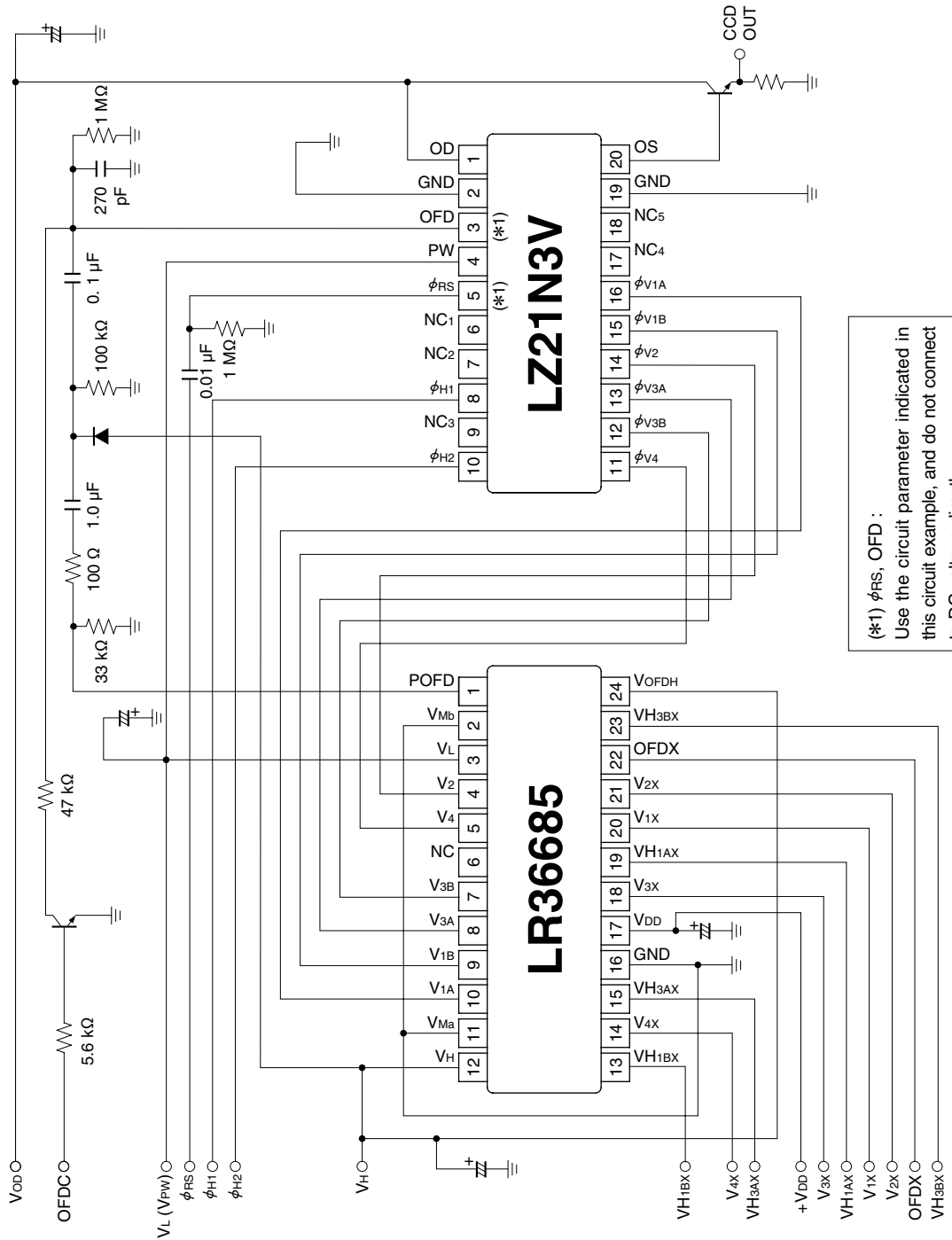
* Keep over 1.1 μs when vertical transfer clock pulse of charge swept transfer is overlapping.

CHARGE SWEPT TRANSFER TIMING [④]



* Keep over 1.1 μs when vertical transfer clock pulse of charge swept transfer is overlapping.

SYSTEM CONFIGURATION EXAMPLE

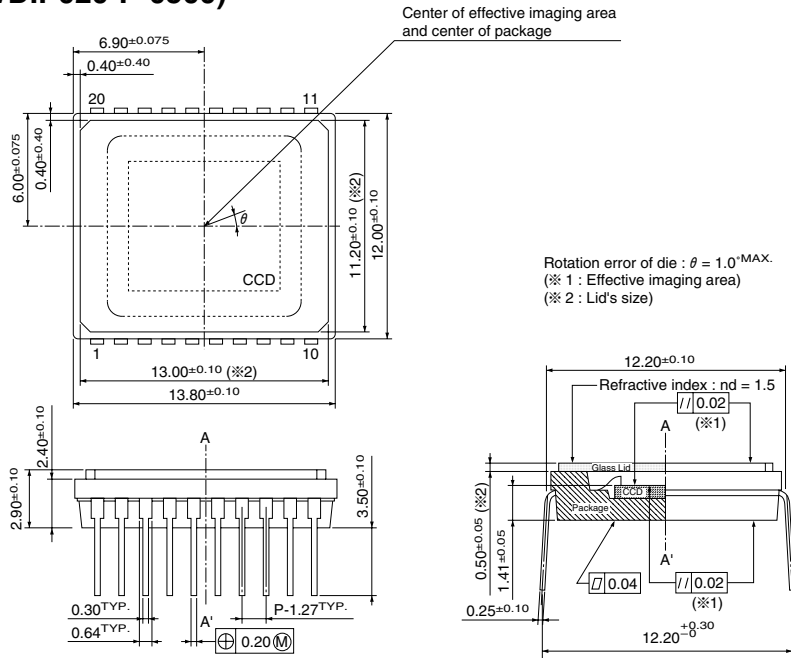


(*1) ϕ_{RS} , OFD :
Use the circuit parameter indicated in this circuit example, and do not connect to DC voltage directly.

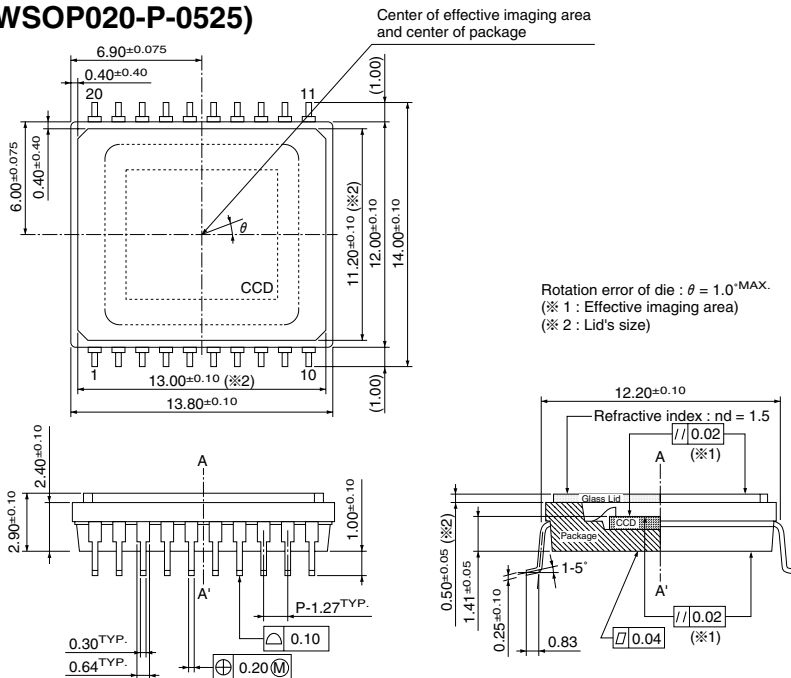
PACKAGES

(Unit : mm)

20 WDIP (WDIP020-P-0500)



20 WSOP (WSOP020-P-0525)



PRECAUTIONS FOR CCD AREA SENSORS

1. Package Breakage

In order to prevent the package from being broken, observe the following instructions :

- 1) The CCD is a precise optical component and the package material is ceramic or plastic.

Therefore,

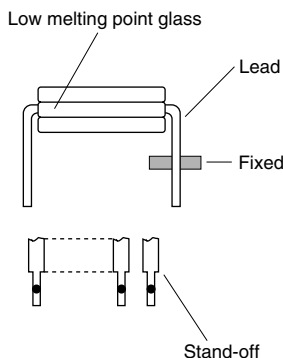
- Take care not to drop the device when mounting, handling, or transporting.
- Avoid giving a shock to the package.

Especially when leads are fixed to the socket or the circuit board, small shock could break the package more easily than when the package isn't fixed.

- 2) When applying force for mounting the device or any other purposes, fix the leads between a joint and a stand-off, so that no stress will be given to the jointed part of the lead. In addition, when applying force, do it at a point below the stand-off part.

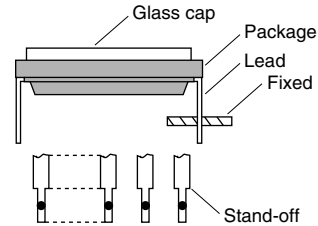
(In the case of ceramic packages)

- The leads of the package are fixed with low melting point glass, so stress added to a lead could cause a crack in the low melting point glass in the jointed part of the lead.



(In the case of plastic packages)

- The leads of the package are fixed with package body (plastic), so stress added to a lead could cause a crack in the package body (plastic) in the jointed part of the lead.



- 3) When mounting the package on the housing, be sure that the package is not bent.
 - If a bent package is forced into place between a hard plate or the like, the package may be broken.

- 4) If any damage or breakage occurs on the surface of the glass cap, its characteristics could deteriorate.

Therefore,

- Do not hit the glass cap.
- Do not give a shock large enough to cause distortion.
- Do not scrub or scratch the glass surface.
- Even a soft cloth or applicator, if dry, could cause dust to scratch the glass.

2. Electrostatic Damage

As compared with general MOS-LSI, CCD has lower ESD. Therefore, take the following anti-static measures when handling the CCD :

- 1) Always discharge static electricity by grounding the human body and the instrument to be used. To ground the human body, provide resistance of about 1 MΩ between the human body and the ground to be on the safe side.
- 2) When directly handling the device with the fingers, hold the part without leads and do not touch any lead.

- 3) To avoid generating static electricity,
 - a. do not scrub the glass surface with cloth or plastic.
 - b. do not attach any tape or labels.
 - c. do not clean the glass surface with dust-cleaning tape.
- 4) When storing or transporting the device, put it in a container of conductive material.

3. Dust and Contamination

Dust or contamination on the glass surface could deteriorate the output characteristics or cause a scar. In order to minimize dust or contamination on the glass surface, take the following precautions :

- 1) Handle the CCD in a clean environment such as a cleaned booth. (The cleanliness level should be, if possible, class 1 000 at least.)
- 2) Do not touch the glass surface with the fingers. If dust or contamination gets on the glass surface, the following cleaning method is recommended :
 - Dust from static electricity should be blown off with an ionized air blower. For anti-electrostatic measures, however, ground all the leads on the device before blowing off the dust.

- The contamination on the glass surface should be wiped off with a clean applicator soaked in Isopropyl alcohol. Wipe slowly and gently in one direction only.
- Frequently replace the applicator and do not use the same applicator to clean more than one device.

※ Note : In most cases, dust and contamination are unavoidable, even before the device is first used. It is, therefore, recommended that the above procedures should be taken to wipe out dust and contamination before using the device.

4. Other

- 1) Soldering should be manually performed within 5 seconds at 350 °C maximum at soldering iron.
- 2) Avoid using or storing the CCD at high temperature or high humidity as it is a precise optical component. Do not give a mechanical shock to the CCD.
- 3) Do not expose the device to strong light. For the color device, long exposure to strong light will fade the color of the color filters.