

SANYO	No.1194C	LA7911
		TV Tuner Controller

The LA7911 is a tuner controller IC having such functions as band switch, inverter, low-pass filter, 33V reference Zener. It can be used for frequency synthesizer or voltage synthesizer according to external application.

Functions

- . Band switch (Equivalent to LA7900, LA7910 : Refer to the truth table.)
- . Inverter
- . Low-pass filter (Voltage follower, operational amplifier)
- . 33V reference Zener

Features

- . 2-input 5-output band switch.
- . Band switches of 2 types (LA7900 type or LA7910 type) available by changing-over C pin.
- . Large maximum output current and small saturation voltage.
- . Meets CATV tuner requirements.
- . Usable for frequency synthesizer or voltage synthesizer by changing connection of inverter and operational amplifier.

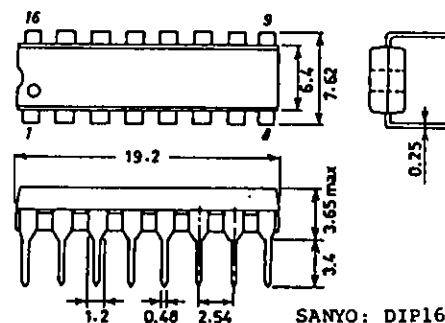
Band Switch Truth Table

Input			Output				
(Pin3) A	(Pin2) B	(Pin4) C	F1(Pin15)	F2(Pin14)	F3(Pin13)	F4(Pin12)	SW(Pin11)
L	L	Open	H	Z	Z	Z	Z
H	L	Open	Z	H	Z	Z	L
L	H	Open	Z	Z	H	Z	L
H	H	Open	Z	Z	Z	H	L
L	L	GND	H	Z	Z	H	Z
H	L	GND	Z	H	Z	H	L
L	H	GND	Z	Z	H	Z	L
H	H	GND	Z	Z	H	H	L

Z : High impedance

Package Dimensions

(unit : mm)
3006B



Maximum Ratings at $T_a=25^\circ\text{C}$

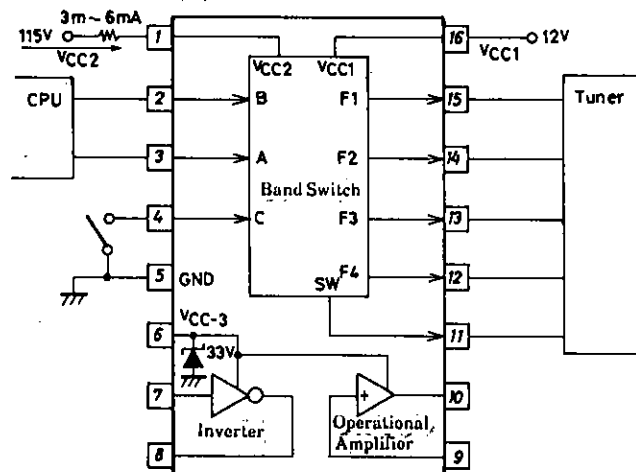
1. Band Switch		unit
VCC1 Maximum Supply Voltage	V16 max	18 V
VCC2 Maximum Supply Current	I1 max	10 mA
Maximum Load Current	I12, I13 max	-60 mA
	I14, I15 max	I1=6mA
	I11 max	VCC1=12V
Maximum AB Input Current	I2, I3 max	25 mA
Maximum Applied Voltage (SW)	V11 max	35 V
Maximum Applied Voltage	V12, V14 max	-18 V
2. Inverter, Operational Amplifier		
VCC3 Maximum Supply Current	I6 max	8 mA
Maximum Applied Voltage	V8 max	35 V
Maximum Load Current	I8 max	5 mA
Maximum Input Voltage	V7 max	8 V
Maximum Input Current	I7 max	1 mA
Maximum Input Voltage	V9 max	VCC-1 V
3. Common to 1.2		
Allowable Power Dissipation	Pdmax	Ta=65°C
Operating Temperature	Topr	600 mW
Storage Temperature	Tstg	-20 to +65 °C
		-55 to +125 °C

Operating Characteristics at $T_a=25^\circ\text{C}$

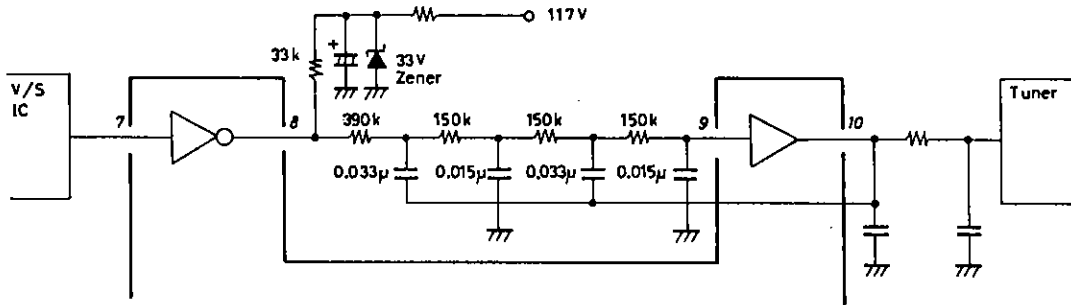
		min	typ	max	unit
1. Band Switch					
Quiescent Current	ICC	0		9	mA
Output Saturation Voltage	F(sat)	0		0.7	V
Output Saturation Voltage	SW(sat)	0		0.7	V
Input Threshold Voltage	VTH	0.8	1.5	3	V
Output Leak Current	IL	0		-50	μA
2. Inverter, Operational Amplifier, Reference Zener					
Zener Voltage	VZ	31	33	35	V
Output Saturation Voltage	V8(sat)	0		0.3	V
Input Threshold Voltage	VTH	2.5		4.5	V
Input Offset Voltage (1)	V10-1	-100		+100	mV
Input Offset Voltage (2)	V10-2	-100		+100	mV
Input Bias Current	IBIAS			-190	nA

(Note) Current flowing into IC : Plus (no sign)
 Current flowing out of IC : Minus

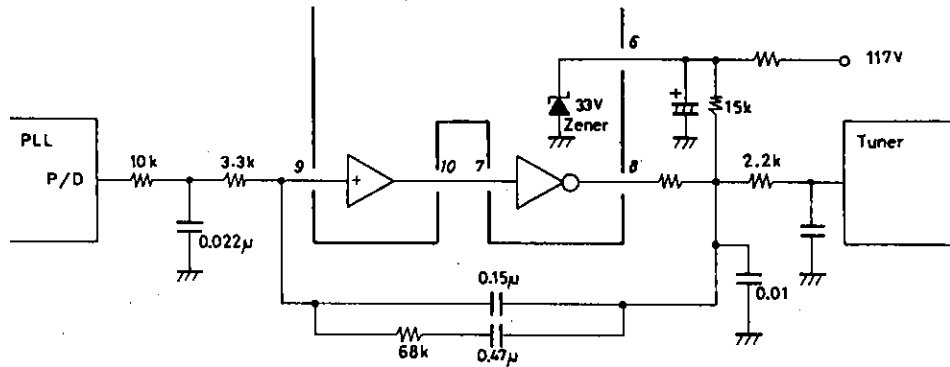
Equivalent Circuit Block Diagram



Sample Application Circuit:

1. Voltage Synthesizer ($f=500\text{Hz}$)

Unit (resistance:Ω, capacitance:F)

2. Frequency Synthesizer ($f_r=1\text{kHz}$)

Unit (resistance:Ω, capacitance:F)

■ No products described or contained herein are intended for use in surgical implants, life-support systems, aerospace equipment, nuclear power control systems, vehicles, disaster/crime-prevention equipment and the like, the failure of which may directly or indirectly cause injury, death or property loss.

■ Anyone purchasing any products described or contained herein for an above-mentioned use shall:

- ① Accept full responsibility and indemnify and defend SANYO ELECTRIC CO., LTD., its affiliates, subsidiaries and distributors and all their officers and employees, jointly and severally, against any and all claims and litigation and all damages, cost and expenses associated with such use:
- ② Not impose any responsibility for any fault or negligence which may be cited in any such claim or litigation on SANYO ELECTRIC CO., LTD., its affiliates, subsidiaries and distributors or any of their officers and employees jointly or severally.

■ Information (including circuit diagrams and circuit parameters) herein is for example only; it is not guaranteed for volume production. SANYO believes information herein is accurate and reliable, but no guarantees are made or implied regarding its use or any infringements of intellectual property rights or other rights of third parties.

This catalog provides information as of **June, 1996**. Specifications and information herein are subject to change without notice.