



3.3V Zero Delay Buffer

Features

- Zero input-output propagation delay, adjustable by capacitive load on FBK input
- Multiple configurations, see *Table 2*
- Multiple low-skew outputs
 - Output-output skew less than 200 ps
 - Device-device skew less than 700 ps
 - Two banks of four outputs, three-stateable by two select inputs
- 10-MHz to 133-MHz operating range
- Low jitter, less than 200 ps cycle-cycle (-1, -1H, -4)
- Advanced 0.65μ CMOS technology
- Space-saving 16-pin 150-mil SOIC/TSSOP packages
- 3.3V operation
- Spread Aware™

Functional Description

The CY23S08 is a 3.3V zero delay buffer designed to distribute high-speed clocks in PC, workstation, datacom, telecom, and other high-performance applications.

The part has an on-chip PLL which locks to an input clock presented on the REF pin. The PLL feedback is required to be driven into the FBK pin, and can be obtained from one of the outputs. The input-to-output propagation delay is guaranteed to be less than 350 ps, and output-to-output skew is guaranteed to be less than 250 ps.

The CY23S08 has two banks of four outputs each, which can be controlled by the Select inputs as shown in *Table 1*. If all output clocks are not required, Bank B can be three-stated. The select inputs also allow the input clock to be directly applied to the output for chip and system testing purposes.

The CY23S08 PLL enters a power-down state when there are no rising edges on the REF input. In this mode, all outputs are three-stated and the PLL is turned off, resulting in less than 50 μA of current draw. The PLL shuts down in two additional cases as shown in *Table 1*.

Multiple CY23S08 devices can accept the same input clock and distribute it in a system. In this case, the skew between the outputs of two devices is guaranteed to be less than 700 ps.

The CY23S08 is available in five different configurations, as shown in *Table 2*. The CY23S08-1 is the base part, where the output frequencies equal the reference if there is no counter in the feedback path. The CY23S08-1H is the high-drive version of the -1, and rise and fall times on this device are much faster.

The CY23S08-2 allows the user to obtain 2X and 1X frequencies on each output bank. The exact configuration and output frequencies depends on which output drives the feedback pin. The CY23S08-2H is the high-drive version of the -2, and rise and fall times on this device are much faster.

The CY23S08-3 allows the user to obtain 4X and 2X frequencies on the outputs.

The CY23S08-4 enables the user to obtain 2X clocks on all outputs. Thus, the part is extremely versatile, and can be used in a variety of applications.

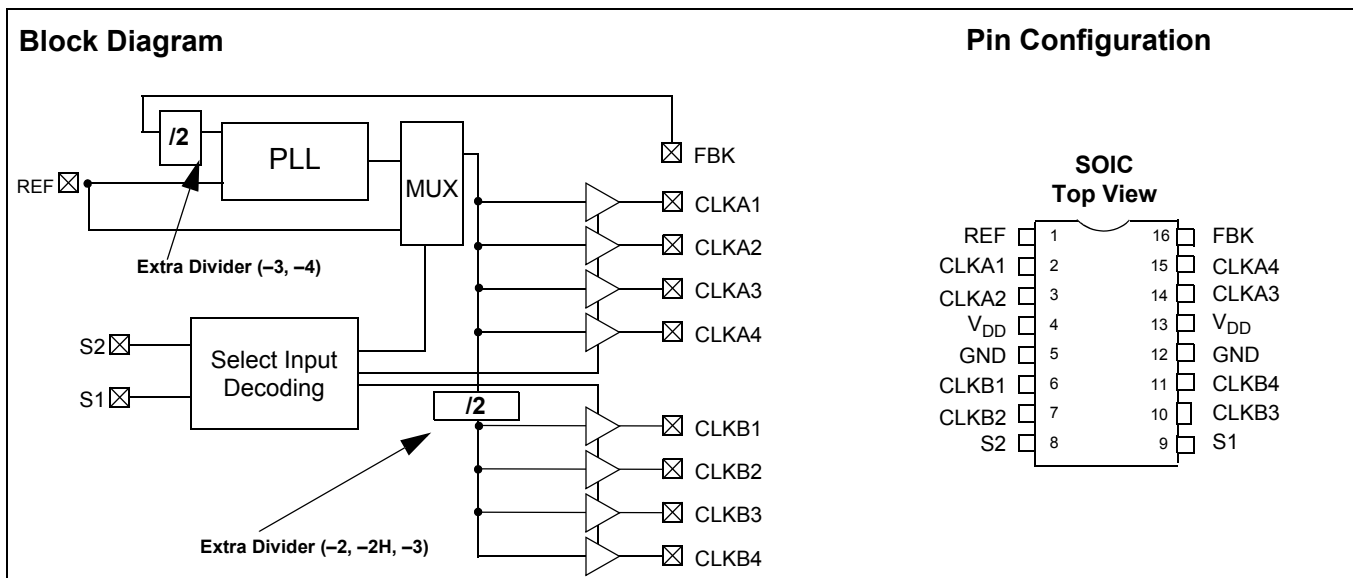


Table 1. Select Input Decoding

S2	S1	CLOCK A1–A4	CLOCK B1–B4	Output Source	PLL Shutdown
0	0	Three-State	Three-State	PLL	Y
0	1	Driven	Three-State	PLL	N
1	0	Driven	Driven	Reference	Y
1	1	Driven	Driven	PLL	N

Table 2. Available CY23S08 Configurations

Device	Feedback From	Bank A Frequency	Bank B Frequency
CY23S08–1	Bank A or Bank B	Reference	Reference
CY23S08–1H	Bank A or Bank B	Reference	Reference
CY23S08–2	Bank A	Reference	Reference/2
CY23S08–2H	Bank A	Reference	Reference/2
CY23S08–2	Bank B	2 X Reference	Reference
CY23S08–2H	Bank B	2 X Reference	Reference
CY23S08–3	Bank A	2 X Reference	Reference or Reference ⁽¹⁾
CY23S08–3	Bank B	4 X Reference	2 X Reference
CY23S08–4	Bank A or Bank B	2 X Reference	2 X Reference

Pin Description

Pin	Signal	Description
1	REF ^[2]	Input reference frequency, 5V tolerant input
2	CLKA1 ^[3]	Clock output, Bank A
3	CLKA2 ^[3]	Clock output, Bank A
4	V _{DD}	3.3V supply
5	GND	Ground
6	CLKB1 ^[3]	Clock output, Bank B
7	CLKB2 ^[3]	Clock output, Bank B
8	S2 ^[4]	Select input, bit 2
9	S1 ^[4]	Select input, bit 1
10	CLKB3 ^[3]	Clock output, Bank B
11	CLKB4 ^[3]	Clock output, Bank B
12	GND	Ground
13	V _{DD}	3.3V supply
14	CLKA3 ^[3]	Clock output, Bank A
15	CLKA4 ^[3]	Clock output, Bank A
16	FBK	PLL feedback input

Spread Aware™

Many systems being designed now utilize a technology called Spread Spectrum Frequency Timing Generation. Cypress has been one of the pioneers of SSFTG development, and we designed this product so as not to filter off the Spread Spectrum feature of the Reference input, assuming it exists. When a zero delay buffer is not designed to pass the SS feature through, the result is a significant amount of tracking skew which may cause problems in systems requiring synchronization.

Notes:

1. Output phase is indeterminant (0° or 180° from input clock). If phase integrity is required, use the CY23S08–2.
2. Weak pull-down.
3. Weak pull-down on all outputs.
4. Weak pull-ups on these inputs.

For more details on Spread Spectrum timing technology, please see Cypress's application note *EMI Suppression Techniques with Spread Spectrum Frequency Timing Generator (SSFTG) ICs*.



Maximum Ratings

Supply Voltage to Ground Potential -0.5V to +7.0V
 DC Input Voltage (Except Ref).....-0.5V to $V_{DD} + 0.5V$
 DC Input Voltage REF.....-0.5 to 7V

Storage Temperature -65°C to +150°C
 Max. Soldering Temperature (10 sec.) 260°C
 Junction Temperature 150°C
 Static Discharge Voltage
 (per MIL-STD-883, Method 3015) >2000V

Operating Conditions for CY23S08SC-XX Commercial Temperature Devices^[5]

Parameter	Description	Min.	Max.	Unit
V_{DD}	Supply Voltage	3.0	3.6	V
T_A	Operating Temperature (Ambient Temperature)	0	70	°C
C_L	Load Capacitance, below 100 MHz		30	pF
	Load Capacitance, from 100 MHz to 133 MHz		15	pF
C_{IN}	Input Capacitance ^[6]		7	pF

Electrical Characteristics for CY23S08SC-XX Commercial Temperature Devices

Parameter	Description	Test Conditions	Min.	Max	Unit
V_{IL}	Input LOW Voltage			0.8	V
V_{IH}	Input HIGH Voltage		2.0		V
I_{IL}	Input LOW Current	$V_{IN} = 0V$		50.0	μA
I_{IH}	Input HIGH Current	$V_{IN} = V_{DD}$		100.0	μA
V_{OL}	Output LOW Voltage ^[7]	$I_{OL} = 8\text{ mA} (-1, -2, -3, -4)$ $I_{OL} = 12\text{ mA} (-1H, -2H)$		0.4	V
V_{OH}	Output HIGH Voltage ^[7]	$I_{OH} = -8\text{ mA} (-1, -2, -3, -4)$ $I_{OH} = -12\text{ mA} (-1H, -2H)$	2.4		V
I_{DD} (PD mode)	Power-down Supply Current	REF = 0 MHz		12.0	μA
I_{DD}	Supply Current	Unloaded outputs, 100-MHz REF, Select inputs at V_{DD} or GND		45.0	mA
				70.0 (-1H, -2H)	mA
		Unloaded outputs, 66-MHz REF (-1,-2,-3,-4)		32.0	mA
		Unloaded outputs, 33-MHz REF (-1,-2,-3,-4)		18.0	mA

Switching Characteristics for CY23S08SC-XX Commercial Temperature Devices^[8]

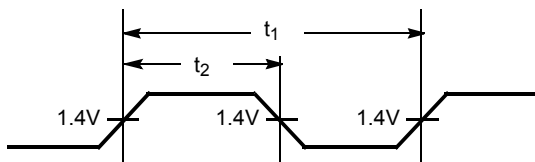
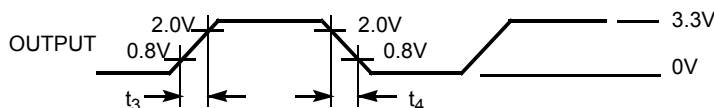
Parameter	Name	Test Conditions	Min.	Typ.	Max.	Unit
t1	Output Frequency	30-pF load, -1, -1H, -2, -3 devices	10		100	MHz
t1	Output Frequency	30-pF load, -4 devices	15		100	MHz
t1	Output Frequency	20-pF load, -1H device	10		133.3	MHz
t1	Output Frequency	15-pF load, -1, -2, -3, devices	10		140.0	MHz
t1	Output Frequency	15-pF load, -4 devices	15		140.0	MHz
	Duty Cycle ^[7] = $t_2 \div t_1$ (-1,-2,-3,-4,-1H, -2H)	Measured at $V_{DD}/2$, $F_{OUT} = 66.66\text{ MHz}$ 30-pF load	40.0	50.0	60.0	%
	Duty Cycle ^[7] = $t_2 \div t_1$ (-1,-2,-3,-4,-1H, -2H)	Measured at $V_{DD}/2$, $F_{OUT} < 66.66\text{ MHz}$ 15-pf load	45.0	50.0	55.0	%
t3	Rise Time ^[7] (-1, -2, -3, -4)	Measured between 0.8V and 2.0V, 30-pF load			2.20	ns
t3	Rise Time ^[7] (-1, -2, -3, -4)	Measured between 0.8V and 2.0V, 15-pF load			1.50	ns

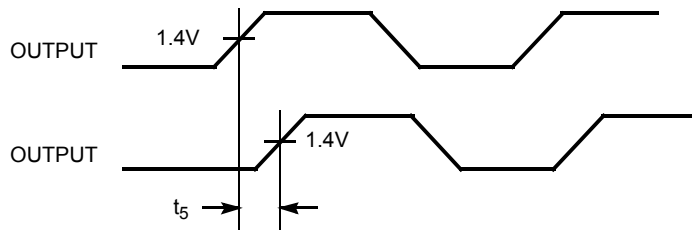
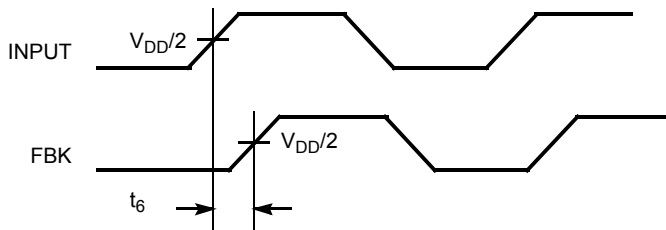
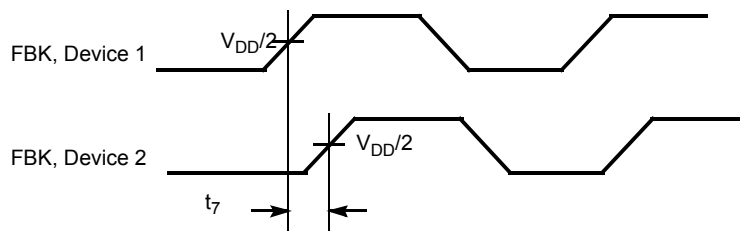
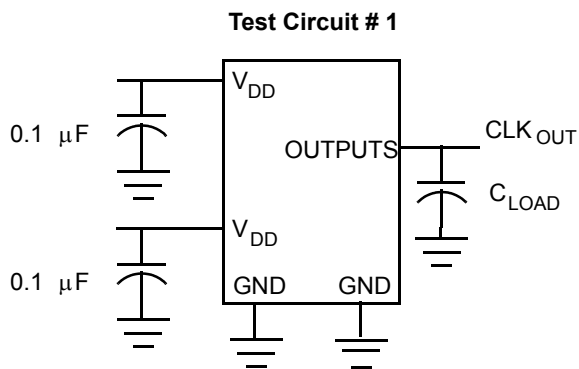
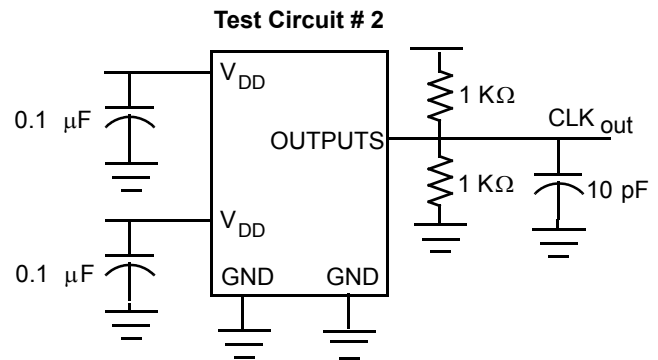
Notes:

5. Multiple Supplies: The voltage on any input or I/O pin cannot exceed the power pin during power-up. Power supply sequencing is NOT required.
6. Applies to both Ref Clock and FBK.
7. Parameter is guaranteed by design and characterization. Not 100% tested in production.
8. All parameters are specified with loaded outputs.

Switching Characteristics for CY23S08SC-XX Commercial Temperature Devices (continued)^[8]

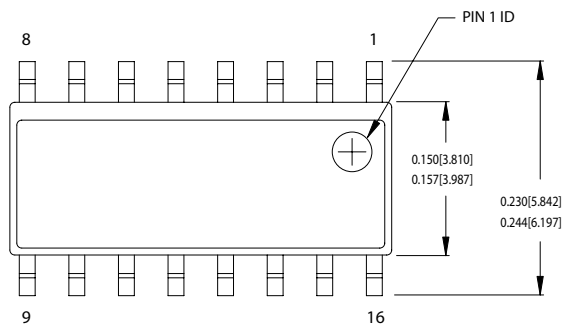
Parameter	Name	Test Conditions	Min.	Typ.	Max.	Unit
t ₃	Rise Time ^[7] (-1H, -2H)	Measured between 0.8V and 2.0V, 30-pF load			1.50	ns
t ₄	Fall Time ^[7] (-1, -2, -3, -4)	Measured between 0.8V and 2.0V, 30-pF load			2.20	ns
t ₄	Fall Time ^[7] (-1, -2, -3, -4)	Measured between 0.8V and 2.0V, 15-pF load			1.50	ns
t ₄	Fall Time ^[7] (-1H, 2H)	Measured between 0.8V and 2.0V, 30-pF load			1.25	ns
t ₅	Output to Output Skew on same Bank (-1) ^[7]	All outputs equally loaded			200	ps
	Output to Output Skew on same Bank (-1H, -2, -2H, -3) ^[7]	All outputs equally loaded			150	ps
	Output to Output Skew on same Bank (-4) ^[7]	All outputs equally loaded			100	ps
	Output to Output Skew (-1H, -2H)	All outputs equally loaded			200	ps
	Output Bank A to Output Bank B Skew (-1, -2, -3)	All outputs equally loaded			300	ps
	Output Bank A to Output Bank B Skew (-4)	All outputs equally loaded			215	ps
	Output Bank A to Output Bank B Skew (-1H)	All outputs equally loaded			250	ps
t ₆	Delay, REF Rising Edge to FBK Rising Edge ^[7]	Measured at V _{DD} /2	-250	0	+275	ps
t ₇	Device to Device Skew ^[7]	Measured at V _{DD} /2 on the FBK pins of devices		0	700	ps
t ₈	Output Slew Rate ^[7]	Measured between 0.8V and 2.0V on -1H, -2H device using Test Circuit #2	1			V/ns
t _J	Cycle to Cycle Jitter ^[7] (-1, -1H)	Measured at 66.67 MHz, loaded outputs, 15, 30-pF loads: 133 MHz, 15-pF load			125	ps
	Cycle to Cycle Jitter ^[7] (-2)	Measured at 66.67 MHz, loaded outputs, 15-pF load			300	ps
	Cycle to Cycle Jitter ^[7] (-2)	Measured at 66.67 MHz, loaded outputs, 30-pF load			400	ps
t _J	Cycle to Cycle Jitter ^[7] (-3, -4)	Measured at 66.67 MHz, loaded outputs 15, 30-pF loads			200	ps
t _{LOCK}	PLL Lock Time ^[7]	Stable power supply, valid clocks presented on REF and FBK pins			1.0	ms

Switching Waveforms
Duty Cycle Timing

All Outputs Rise/Fall Time


Switching Waveforms (continued)
Output-Output Skew

Input-Output Propagation Delay

Device-Device Skew

Test Circuits

 Test Circuit for all parameters except t_8

 Test Circuit for t_8 , Output slew rate on -1H device

Ordering Information

Ordering Code	Package Name	Package Type	Operating Range
CY23S08SC-1	S16	16-pin 150-mil SOIC	Commercial
CY23S08SC-1T	S16	16-pin 150-mil SOIC-Tape and Reel	Commercial
CY23S08SC-1H	S16	16-pin 150-mil SOIC	Commercial
CY23S08SC-1HT	S16	16-pin 150-mil SOIC-Tape and Reel	Commercial
CY23S08ZC-1H	Z16	16-pin 150-mil TSSOP	Commercial
CY23S08ZC-1HT	Z16	16-pin 150-mil TSSOP-Tape and Reel	Commercial
CY23S08SC-2	S16	16-pin 150-mil SOIC	Commercial
CY23S08SC-2T	S16	16-pin 150-mil SOIC-Tape and Reel	Commercial
CY23S08SC-2H	S16	16-pin 150-mil SOIC	Commercial
CY23S08SC-2HT	S16	16-pin 150-mil SOIC-Tape and Reel	Commercial
CY23S08SC-3	S16	16-pin 150-mil SOIC	Commercial
CY23S08SC-3T	S16	16-pin 150-mil SOIC-Tape and Reel	Commercial
CY23S08SC-4	S16	16-pin 150-mil SOIC	Commercial
CY23S08SC-4T	S16	16-pin 150-mil SOIC-Tape and Reel	Commercial

Package Drawings and Dimensions
16-Lead (150-Mil) SOIC S16


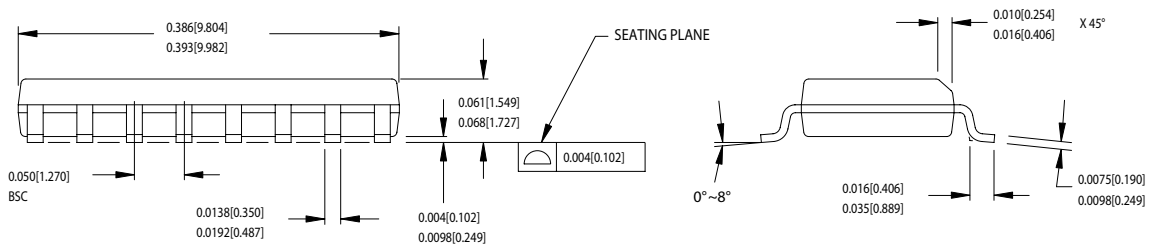
DIMENSIONS IN INCHES[MM] MIN.

MAX.

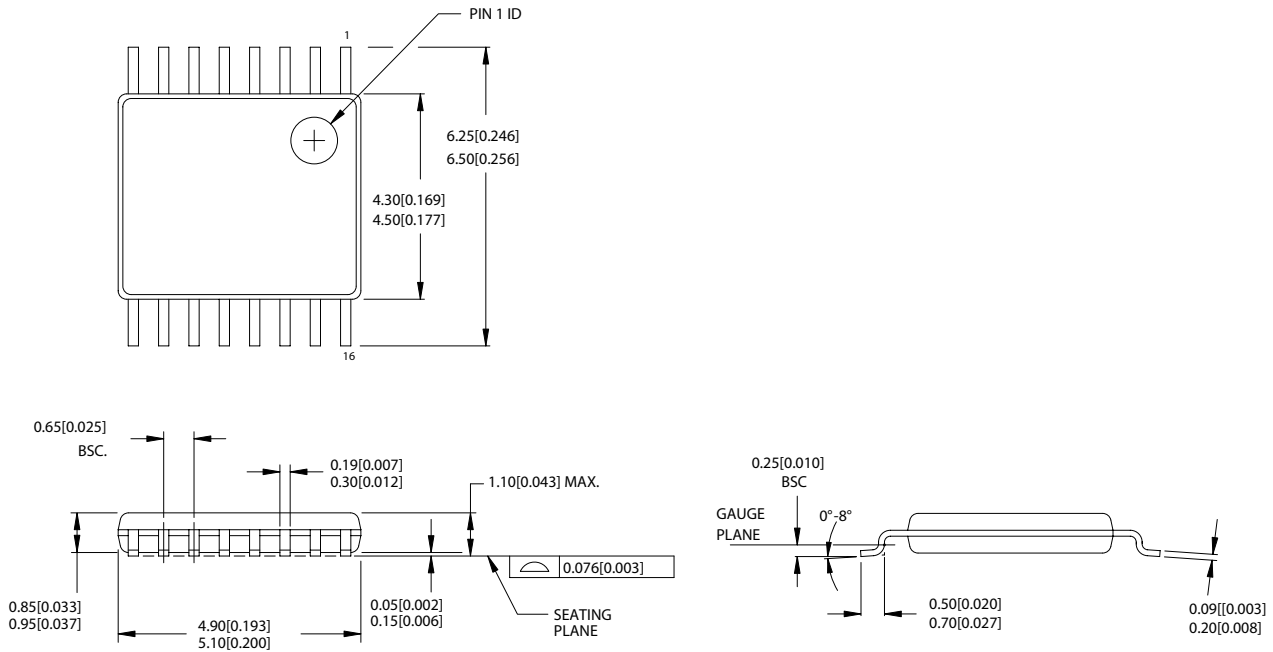
REFERENCE JEDEC MS-012

PACKAGE WEIGHT 0.15gms

PART #	
S16.15	STANDARD PKG.
SZ16.15	LEAD FREE PKG.



51-85068-*B

Package Drawings and Dimensions (continued)
16-Lead Thin Shrunken Small Outline Package (4.40 MM Body) Z16


51-85091-*A

Spread Aware is a trademark of Cypress Semiconductor. All product and company names mentioned in this document are trademarks of their respective holders.

Document History Page

Document Title: CY23S08 3.3V Zero Delay Buffer				
Document Number: 38-07265				
REV.	ECN NO.	Issue Date	Orig. of Change	Description of Change
**	110530	12/02/01	SZV	Change from Spec number: 38-01107 to 38-07265
*A	122863	12/20/02	RBI	Added power-up requirements to operating conditions information.
*B	130951	11/26/03	RGL	Corrected the Switching Characteristics parameters to reflect the W152 device and new characterization.
*C	204201	See ECN	RGL	Corrected the Block Diagram
*D	231100	See ECN	RGL	Fixed Typo in table 2.