

SANYO	No.3762A	2SJ189
	P-Channel MOS Silicon FET	
Very High-Speed Switching Applications		

Features

- Low ON resistance
- Very high-speed switching
- Low-voltage drive

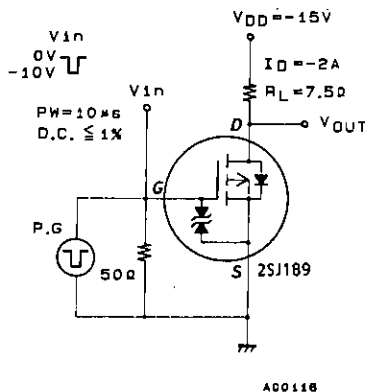
Absolute Maximum Ratings at Ta = 25°C

			unit
Drain to Source Voltage	V _{DSS}	-30	V
Gate to Source Voltage	V _{GSS}	±15	V
Drain Current (DC)	I _D	-4	A
Drain Current (Pulse)	I _{DP}	PW ≤ 10 μs, duty cycle ≤ 1%	-16 A
Allowable Power Dissipation	P _D	T _c = 25°C	30 W
Channel Temperature	T _{ch}	150	°C
Storage Temperature	T _{stg}	-55 to +150	°C

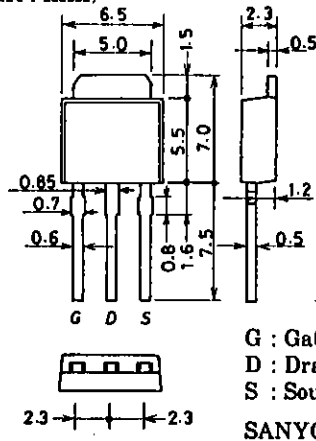
Electrical Characteristics at Ta = 25°C

			min	typ	max	unit
D-S Breakdown Voltage	V _{(BR)DSS}	I _D = -1mA, V _{GS} = 0	-30			V
G-S Breakdown Voltage	V _{(BR)GSS}	I _G = ±100 μA, V _{DS} = 0	±15			V
Zero Gate Voltage Drain Current	I _{DSS}	V _{DS} = -30V, V _{GS} = 0			-100	μA
Gate to Source Leakage Current	I _{GSS}	V _{GS} = ±12V, V _{DS} = 0			±10	μA
Cutoff Voltage	V _{GS(off)}	V _{DS} = -10V, I _D = -1mA	-1.0		-2.0	V
Forward Transfer Admittance	Y _{fs}	V _{DS} = -10V, I _D = -2A	2.5	4		S
Static Drain to Source on State Resistance	R _{DS(on)}	I _D = -2A, V _{GS} = -10V		85	120	mΩ
	R _{DS(on)}	I _D = -2A, V _{GS} = -4V		120	170	mΩ
Input Capacitance	C _{iss}	V _{DS} = -10V, f = 1MHz		1000		pF
Output Capacitance	C _{oss}	V _{DS} = -10V, f = 1MHz		600		pF
Reverse Transfer Capacitance	C _{rss}	V _{DS} = -10V, f = 1MHz		220		pF
Turn-ON Delay Time	t _{d(on)}	See specified Test Circuit		15		ns
Rise Time	t _r	∕		50		ns
Turn-OFF Delay Time	t _{d(off)}	∕		145		ns
Fall Time	t _f	∕		145		ns
Diode Forward Voltage	V _{SD}	I _S = -4A, V _{GS} = 0	-1.0	-1.5		V

Switching Time Test Circuit

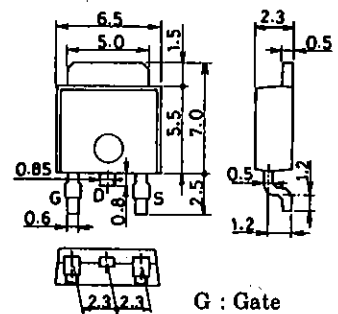


Package Dimensions 2083A (unit: mm)



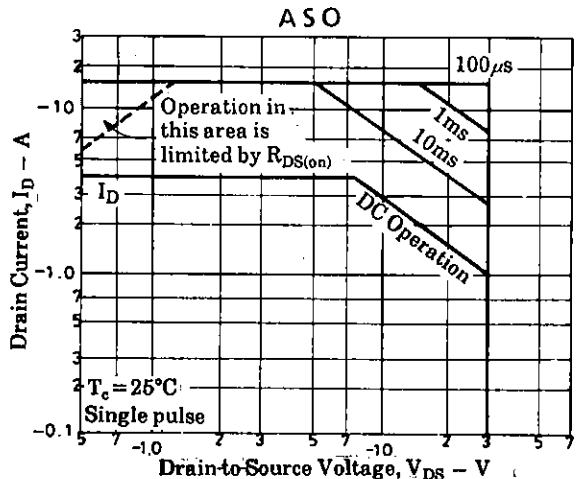
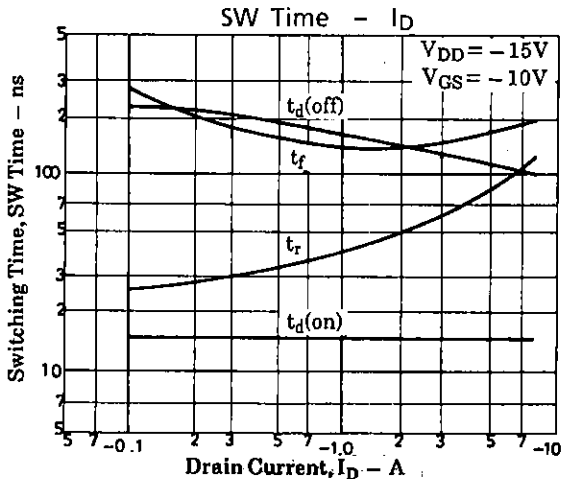
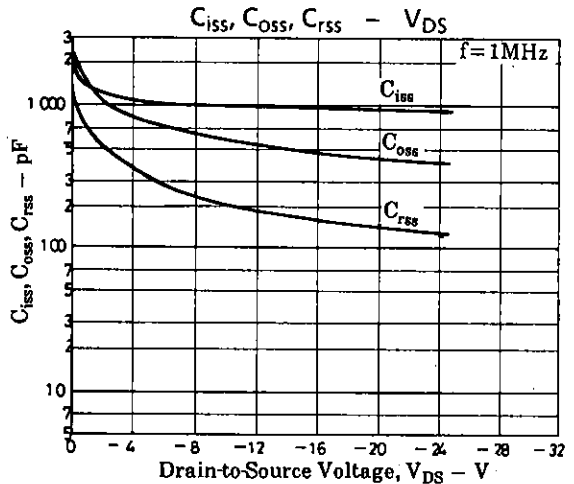
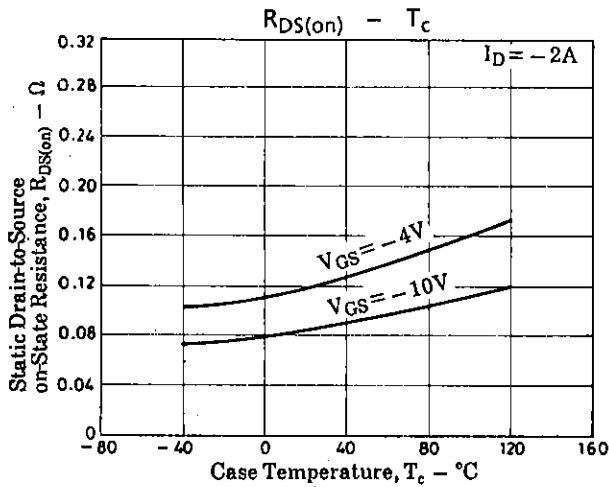
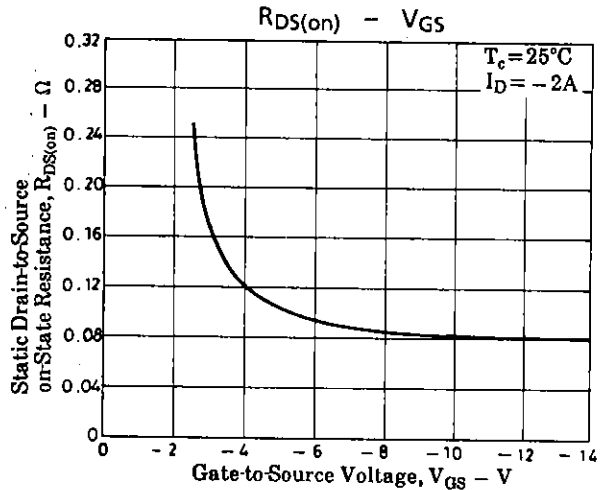
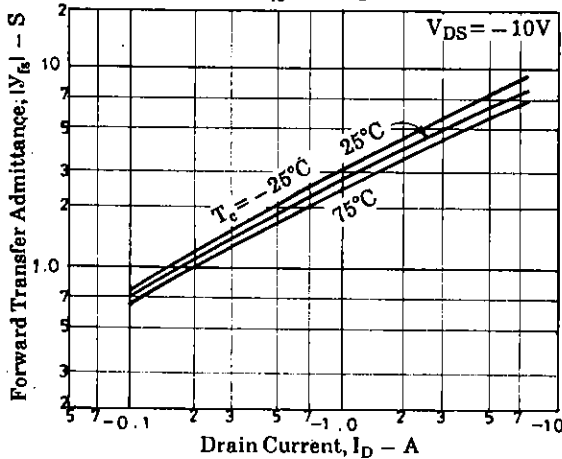
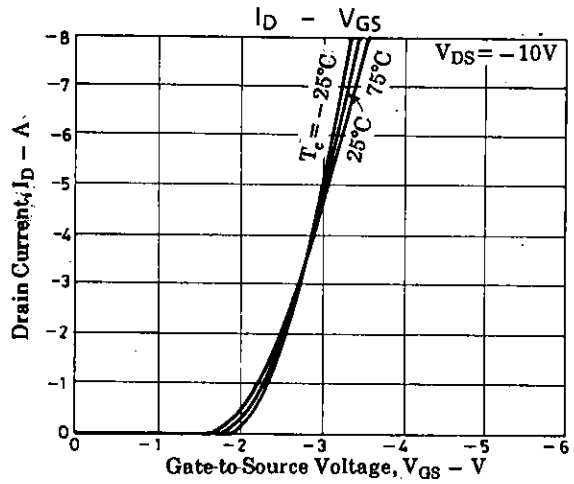
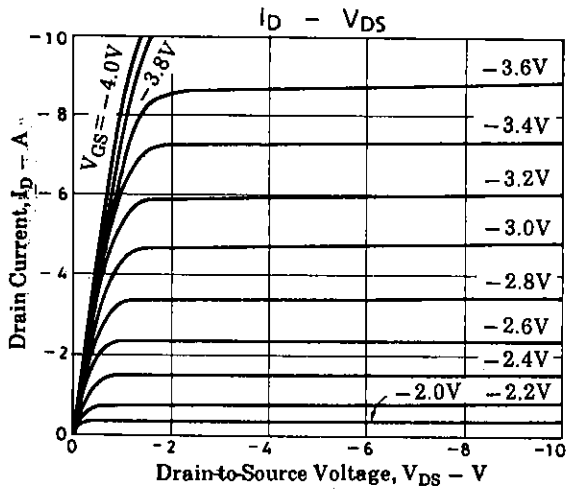
G : Gate
D : Drain
S : Source
SANYO : TP

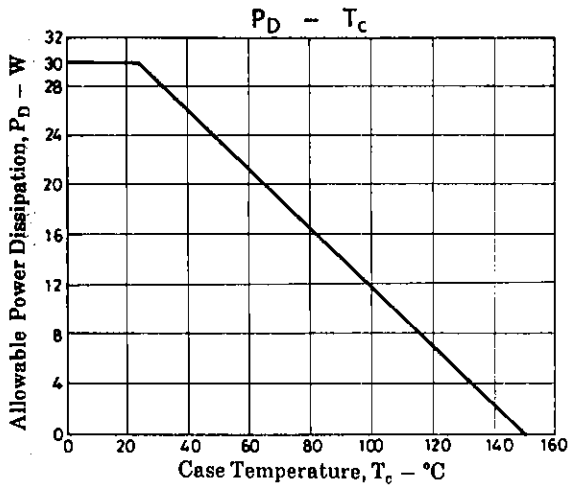
Package Dimensions 2092A (unit: mm)



G : Gate
D : Drain
S : Source
SANYO : TP-FA

SANYO Electric Co., Ltd. Semiconductor Business Headquarters
TOKYO OFFICE Tokyo Bldg., 1-10, 1 Chome, Ueno, Taito-ku, TOKYO, 110 JAPAN





- No products described or contained herein are intended for use in surgical implants, life-support systems, aerospace equipment, nuclear power control systems, vehicles, disaster/crime-prevention equipment and the like, the failure of which may directly or indirectly cause injury, death or property loss.
- Anyone purchasing any products described or contained herein for an above-mentioned use shall:
 - ① Accept full responsibility and indemnify and defend SANYO ELECTRIC CO., LTD., its affiliates, subsidiaries and distributors and all their officers and employees, jointly and severally, against any and all claims and litigation and all damages, cost and expenses associated with such use:
 - ② Not impose any responsibility for any fault or negligence which may be cited in any such claim or litigation on SANYO ELECTRIC CO., LTD., its affiliates, subsidiaries and distributors or any of their officers and employees jointly or severally.
- Information (including circuit diagrams and circuit parameters) herein is for example only; it is not guaranteed for volume production. SANYO believes information herein is accurate and reliable, but no guarantees are made or implied regarding its use or any infringements of intellectual property rights or other rights of third parties.